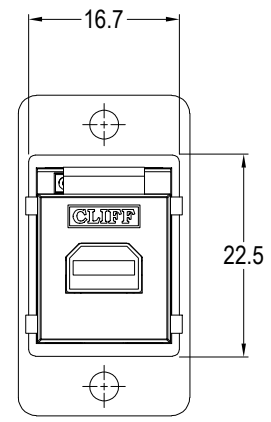
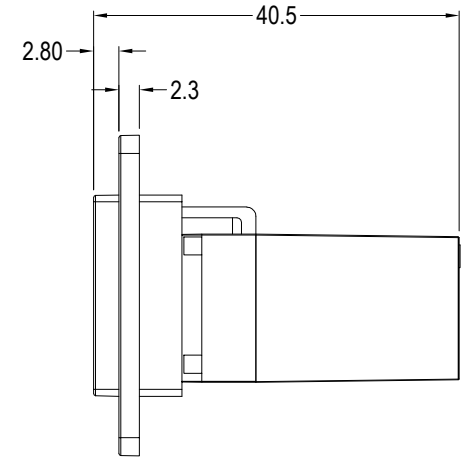
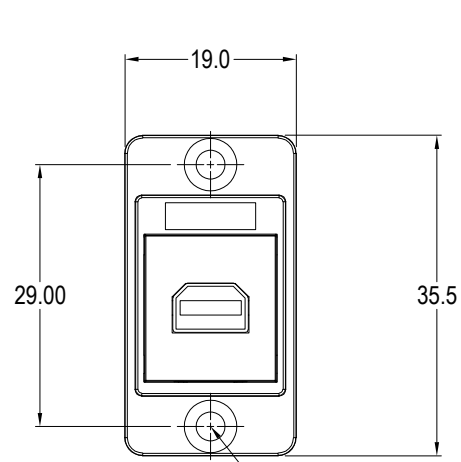
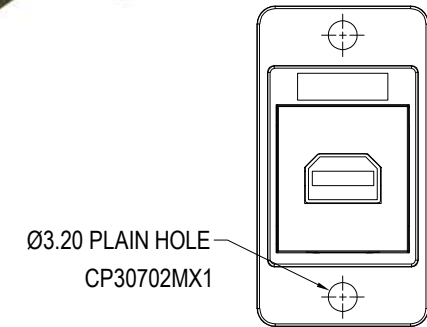
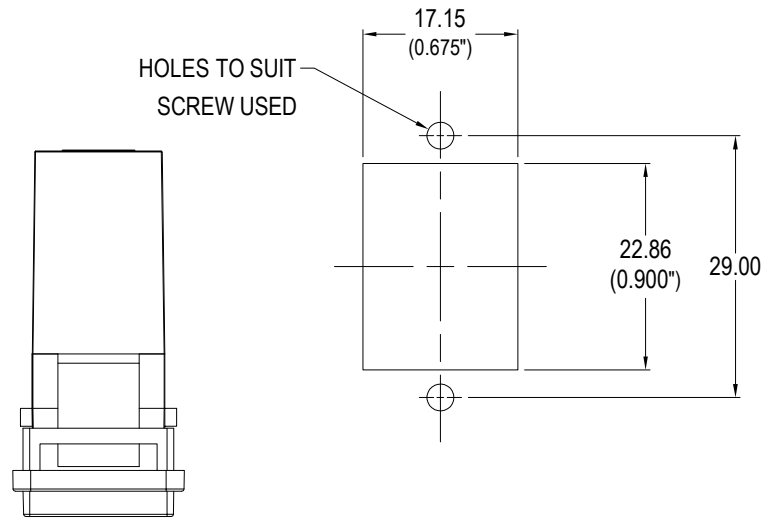


ISS.	AMEND	DATE
1	ISSUED	02/03/22



VARIANTS	
PART NO.	HOLE DETAILS
CP30702M	HOLE Ø3.2 x CSK 90° x Ø5.85
CP30702M3	M3 HOLES
CP30702M440	#4-40 HOLES
CP30702MX1	PLAIN HOLE Ø3.2

4x HOLE VARIANTS
 Ø3.2mm CSK 90° x Ø5.85
 M3 x 0.5 THREAD
 #4-40 UNC THREAD
 PLAIN Ø3.2 HOLES

- Material:
1. Insert: ABS
 2. Frame: Zinc Diecast, Nickel Plated
 3. Contacts: Gold Plated

RoHS COMPLIANT	
TOLERANCE	
NO DEC. PLACE	±
1 DEC. PLACE	±
2 DEC. PLACE	±
HOLE Ø	±
ANGLES	±
UNLESS OTHERWISE STATED	
DO NOT SCALE	

Cliff Electronic Components Ltd.
 76 Holmesthorpe Avenue, Holmesthorpe Industrial Estate,
 Redhill, Surrey, RH1 2PF, England, UK
 Tel: 01737-771375 Fax: 01737-766012 Website: www.cliffuk.co.uk

DIMENSIONS IN MILLIMETERS UNLESS OTHERWISE STATED. WORK TO DIMENSIONS. REMOVE ALL BURRS. IF IN DOUBT ASK.

3rd ANGLE PROJECTION:

THE CONTENTS OF THIS DOCUMENT MUST NOT BE COPIED OR DISCLOSED TO A 3rd PARTY WITHOUT WRITTEN PERMISSION OF CLIFF UK. © 2022

MATERIAL: See Notes
FINISH: See Notes
DRAWN: T.J.O.
APPROVED: D.P.J.

TITLE: DUAL MOUNT METAL SLIM FT MDP
DRWG. No. CP30702M
FORM: A4DRWGH