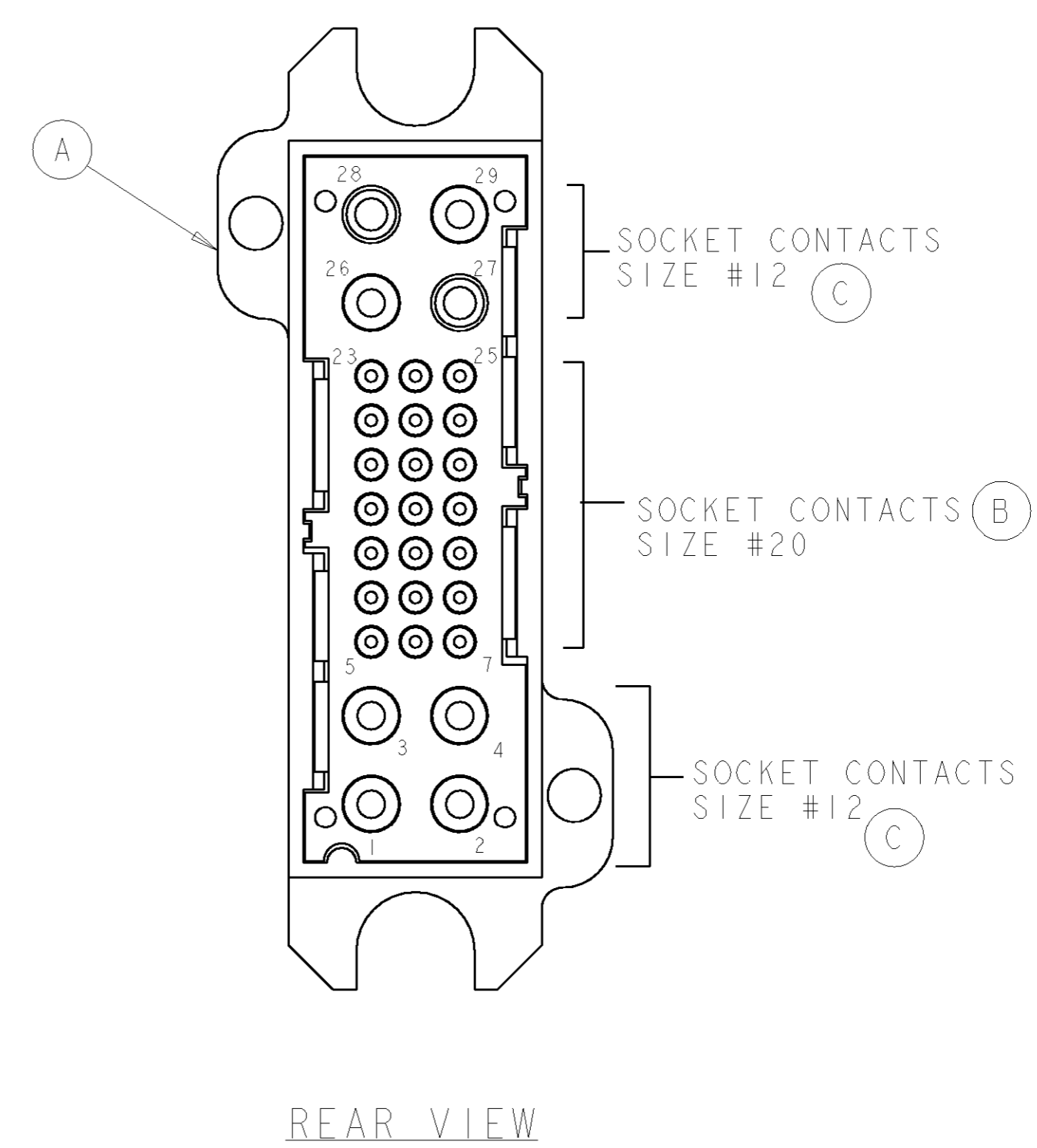
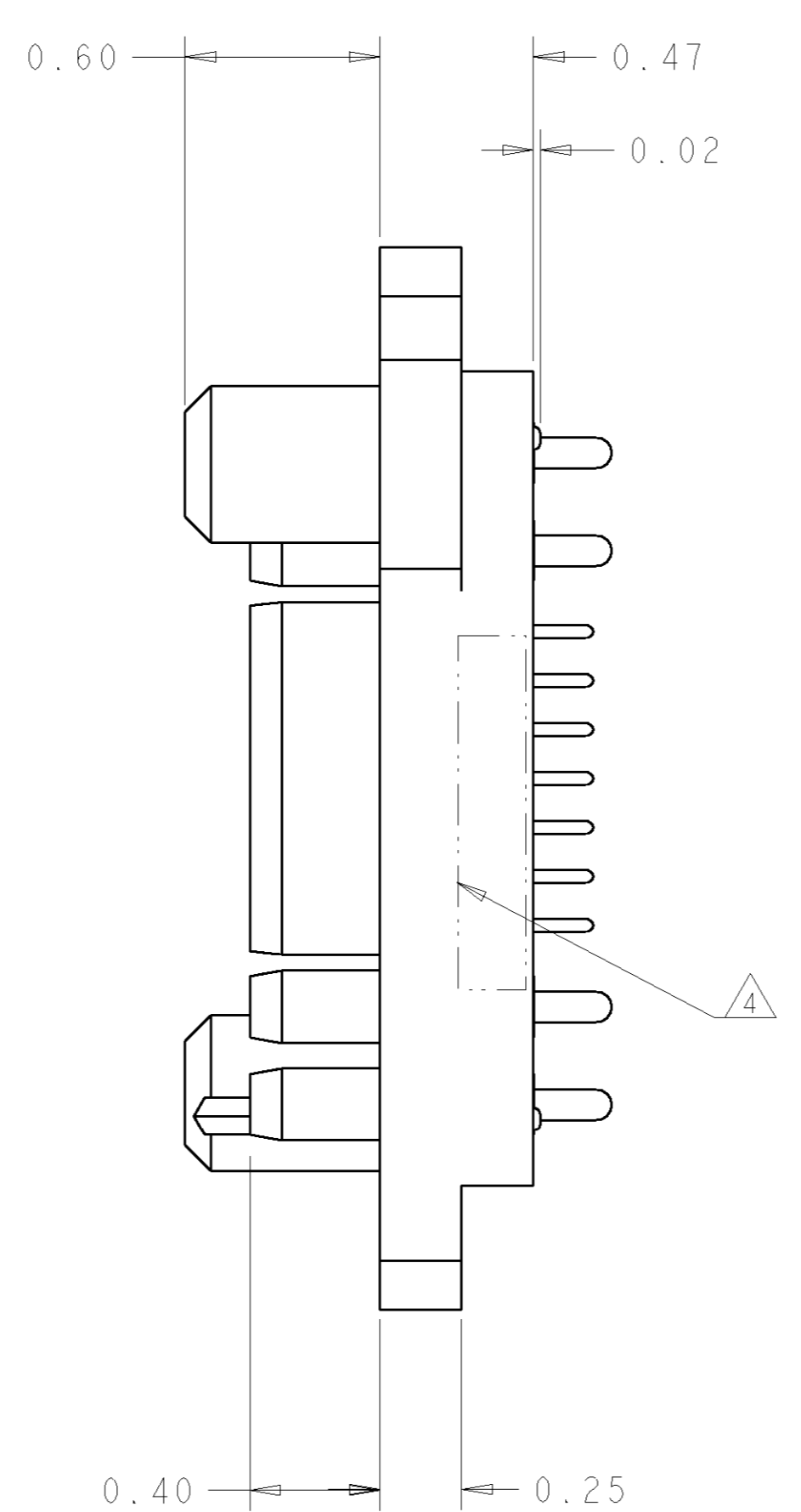
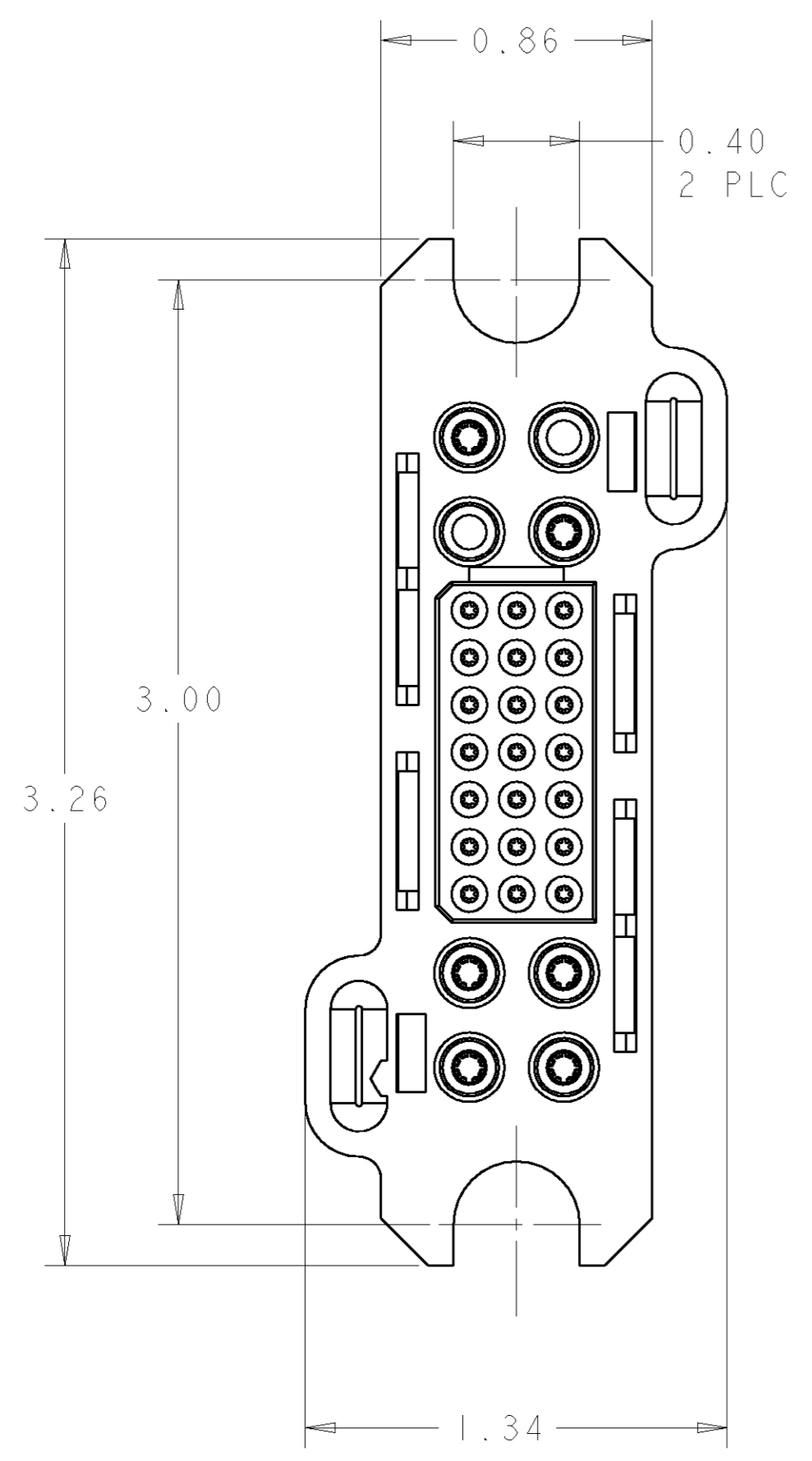


THIS DRAWING IS UNPUBLISHED. RELEASED FOR PUBLICATION 20
 © COPYRIGHT 20 BY TYCO ELECTRONICS CORPORATION. ALL RIGHTS RESERVED.

LOC	DIST	REVISIONS			
P	LTR	DESCRIPTION	DATE	DWN	APVD
GP	00	A	NEW RELEASE	13AUG2007	RG DO

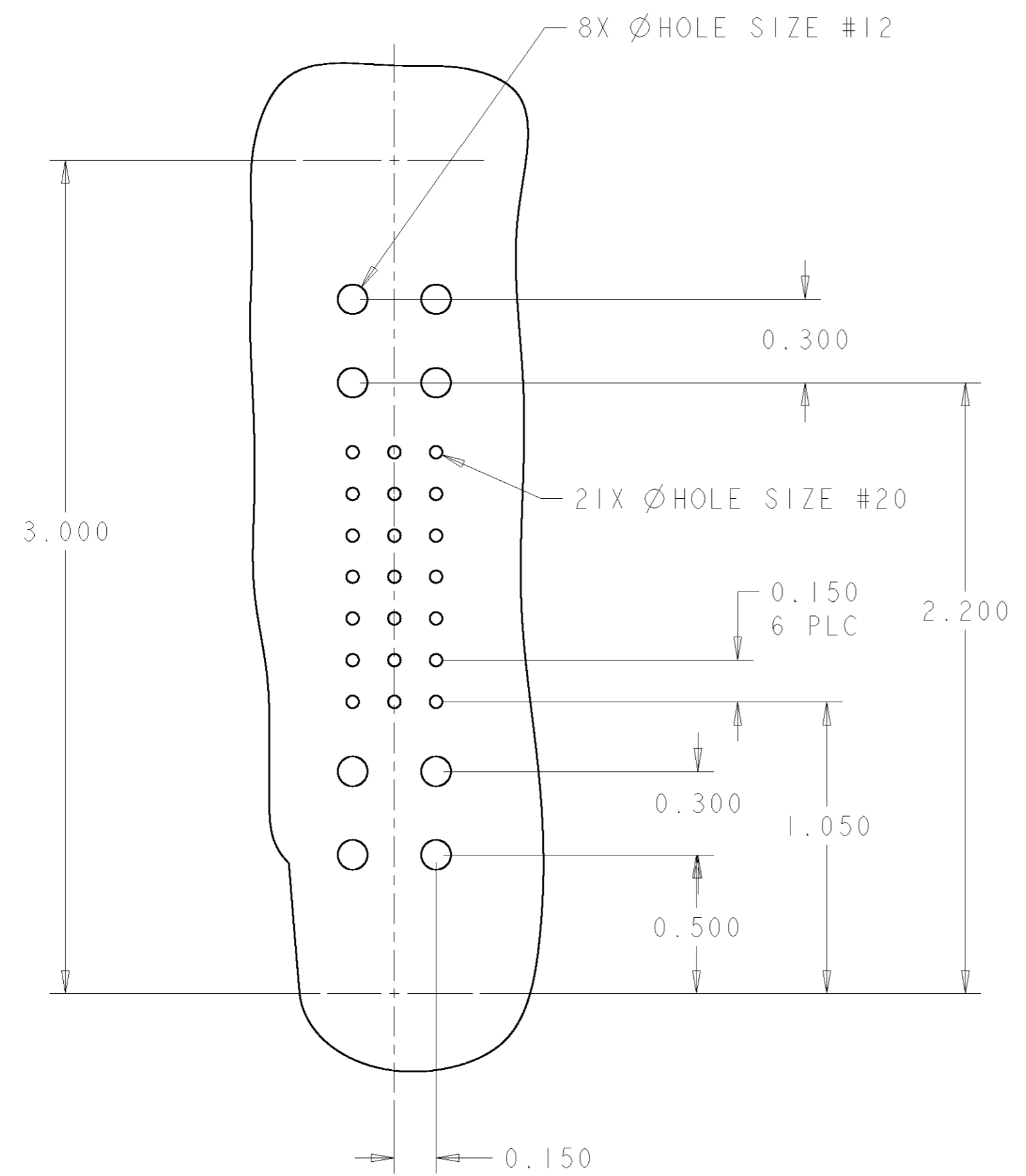


AS SHOWN	6766385-1
DESCRIPTION	PART NUMBER

<small>THIS DRAWING IS A CONTROLLED DOCUMENT FOR TYCO ELECTRONICS CORPORATION. IT IS SUBJECT TO CHANGE AND THE CONTROLLING ENGINEERING ORGANIZATION SHOULD BE CONTACTED FOR THE LATEST REVISION.</small>		DWN R. GRZYBOWSKI 13AUG07 CHK D. ORRIS 13AUG07 APVD S. FLICKINGER 13AUG07	Tyco Electronics Harrisburg, PA 17105-3608
DIMENSIONS: INCHES 	TOLERANCES UNLESS OTHERWISE SPECIFIED: 0 PLC ± 1 PLC ± 2 PLC ±.02 3 PLC ±.010 4 PLC ± ANGLES ±.5 FINISH	PRODUCT SPEC APPLICATION SPEC WEIGHT CUSTOMER DRAWING	NAME CONNECTOR ASSEMBLY SOCKET 75 AMP, LOWER DRAWER SIZE CAGE CODE DRAWING NO RESTRICTED TO A200779 C-6766385 -
ELCON LOWER DRAWER		SCALE 3:1 SHEET 1 OF 2 REV A	

THIS DRAWING IS UNPUBLISHED. RELEASED FOR PUBLICATION 20
 © COPYRIGHT 20 BY TYCO ELECTRONICS CORPORATION. ALL RIGHTS RESERVED.

LOC	DIST	REVISIONS					
GP	00	P	LTR	DESCRIPTION	DATE	DWN	APVD
		-		SEE SHEET 1			



PRINTED CIRCUIT BOARD LAYOUT

VIEW FROM CONNECTOR MOUNTING SIDE
 HOLE SIZE #12

DRILLED HOLE: $\varnothing .1065 \pm .0005$
 COPPER PLATE: .0010 - .0020
 TIN PLATE: .00002 MIN. THK.

HOLE SIZE #20
 DRILLED HOLE: $\varnothing .0453 \pm .0005$
 COPPER PLATE: .0010 - .0020
 TIN PLATE: .00002 MIN. THK.

ELCON LOWER DRAWER

- PART NUMBER CHANGES AND OR DESIGN CHANGES AFFECTING THE INTERCHANGEABILITY REQUIRE PRIOR TYCO ELECTRONICS APPROVAL AND AUTHORIZATION BY REVISION TO THIS DRAWING.
- MATERIAL:
 INSULATOR: THERMOPLASTIC, GLASS REINFORCED, UL 94V-0
 FLAMMABILITY RATED, COLOR: BLACK
 CONTACT BODY: BRASS ALLOY
 CROWN BAND: BERYLLIUM COPPER
 RETENTION CLIP: BERYLLIUM COPPER OR STAINLESS STEEL
 SHOULDER SCREWS: STAINLESS STEEL
- FINISH:
 CONTACTS SIZE #12 : SILVER .000200 MIN THK.
 OVER NICKEL .00040 MIN THK.
 CONTACTS SIZE #20 : GOLD .000010 MIN THK.
 OVER NICKEL .00040 MIN THK.
 CROWN BAND: GOLD .000030 MIN THK.
 OVER NICKEL .00040 MIN THK.

4 ITEMS PROVIDED TO THIS SPECIFICATION TO BE PERMANENTLY IDENTIFIED PER THE FOLLOWING IDENTIFIER:
 YEAR 1 WEEK
 TYCO ELECTRONICS P/N DATE CODE (e.g. 0216)
 XXXXXXXX-X XXXX

5 PCB TAIL CONTACTS ARE INSERTABLE / NON-REMOVEABLE
 SIZE #20 (ITEM B): LOADED IN POSN 11 THRU 19 & 22
 SIZE #12 (ITEM C): LOADED IN POSN 1-4, 26 & 29

6 SHOULDER SCREWS (ITEM D) SHALL BE PACKAGED SEPARATELY AND PLACED IN THE BOX WITH THE CONNECTOR ASSEMBLY.

6	2	1650401-1	SCREW, SHOULDER, M5 X 0.8 THD.	D
5	6	6648374-1	CONTACT, SOCKET, #12, PCB TAIL	C
5	10	1648382-1	CONTACT, SOCKET, #20, PCB TAIL	B
	1	1648206-2	HOUSING, SOCKET, FLOAT MOUNT	A
	-1	PART NUMBER	DESCRIPTION	ITEM

<small>THIS DRAWING IS A CONTROLLED DOCUMENT FOR TYCO ELECTRONICS CORPORATION. IT IS SUBJECT TO CHANGE AND THE CONTROLLING ENGINEERING ORGANIZATION SHOULD BE CONTACTED FOR THE LATEST REVISION.</small>		DWN R. GRZYBOWSKI 13AUG07 CHK D. ORRIS 13AUG07 APVD S. FLICKINGER 13AUG07	Tyco Electronics Harrisburg, PA 17105-3608
DIMENSIONS: INCHES 	TOLERANCES UNLESS OTHERWISE SPECIFIED: 0 PLC ± 1 PLC ± 2 PLC ±.02 3 PLC ±.010 4 PLC ± ANGLES ±.5 FINISH	NAME: CONNECTOR ASSEMBLY SOCKET 75 AMP, LOWER DRAWER PRODUCT SPEC: - APPLICATION SPEC: - WEIGHT: -	SIZE: A2 CAGE CODE: 00779 DRAWING NO: 6766385 RESTRICTED TO: -
MATERIAL: -		CUSTOMER DRAWING	
		SCALE: 3:1	SHEET 2 OF 2 REV A