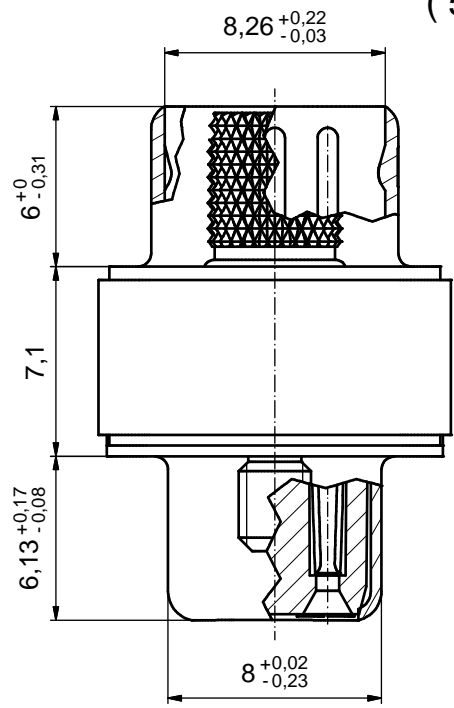
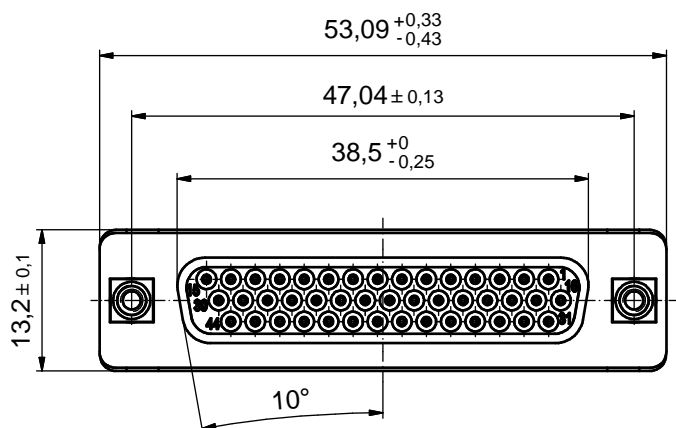


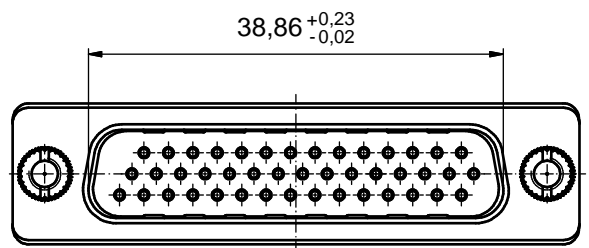
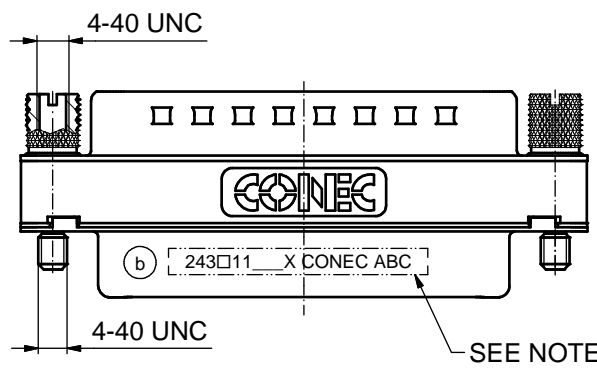
FILTER	CAPACITANCE	Part-no.
TYPE 1	180pF±20%	243□11620X
TYPE 2	370pF±20%	243□11660X
TYPE 3	830pF±20%	243□11700X

(b)

(5:1)

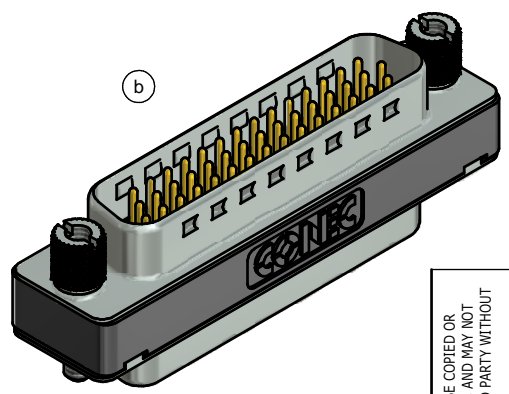


(b)



NOTES: (b)

- METALSHELLS: STEEL; min. 315µm TIN over 40-80µm NICKEL
- INSULATOR: PBT GF UL 94 V-0; BLACK
- CONTACTS: COPPER ALLOY; PLATING (SEE PART NO.):
  - PLEASE ADD A for GOLD FLASH over NICKEL (PREFERRED TYPE)
  - PLEASE ADD B for 20µm HARD GOLD over min. 50µm NICKEL
  - PLEASE ADD C for 30µm HARD GOLD over min. 50µm NICKEL
- THREADED INSERTS: COPPER ALLOY; min 200µm TIN over 80µm NICKEL
- JACK SCREWS: COPPER ALLOY; NICKEL PLATED
- DIELECTRIC WITHSTANDING VOLTAGE: 300 VDC
- MAXIMUM TORQUE VALUE FOR THREAD: 6 in.LB
- CONNECTOR IS PART MARKED: 243□11 X CONEC ABC (see note 3 / see table)



(b)

RoHS compliant

THIS DRAWING MAY NOT BE COPIED OR REPRODUCED IN ANY WAY, AND MAY NOT BE PASSED ON TO A THIRD PARTY WITHOUT WRITTEN PERMISSION. OWNERSHIP AND COPYRIGHT OF CONEC GmbH DO NOT ALTER CAD DRAWING BY HAND	tolerance		dim. in mm		scale: 2:1 (5:1)	
	date		name		material: see notes	
	drawn	23.06.2015	M. Heinrich		title: D-SUB HD C-FILTER ADAPTER	
	appd.	23.06.2015	J. Lehmenkühler		44pos. SOCKET / PLUG	
	norm				dwg no:	
6 x b	A5687	23.06.15	M.H.	d-old	24K1P9A	DIN-A3
a	Original					(b) 24K1A1600
rev.	description	date	name			part no: SEE TABLE