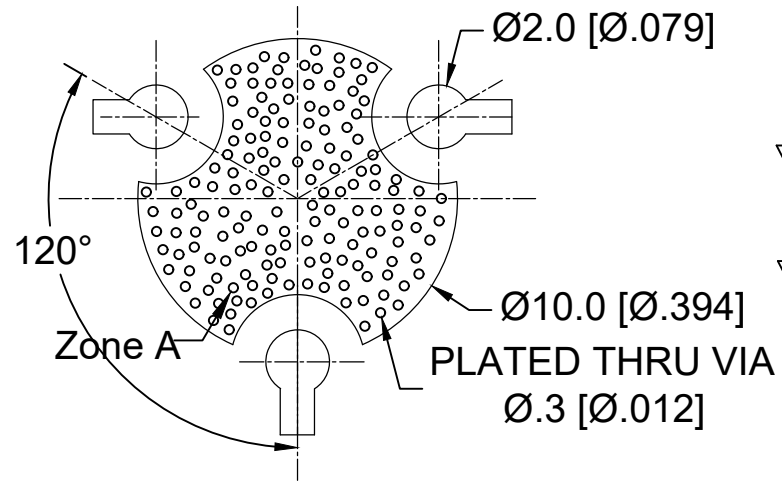
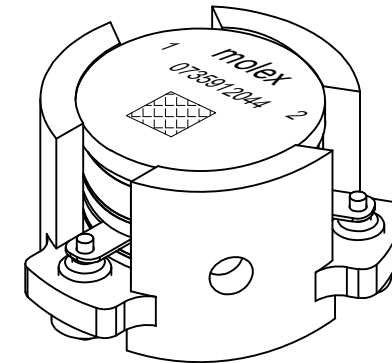
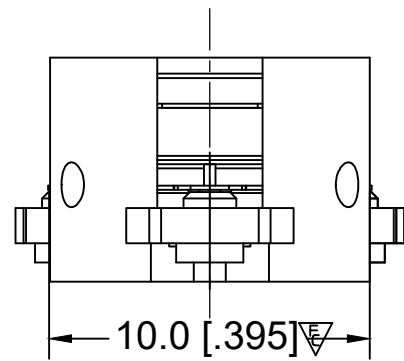
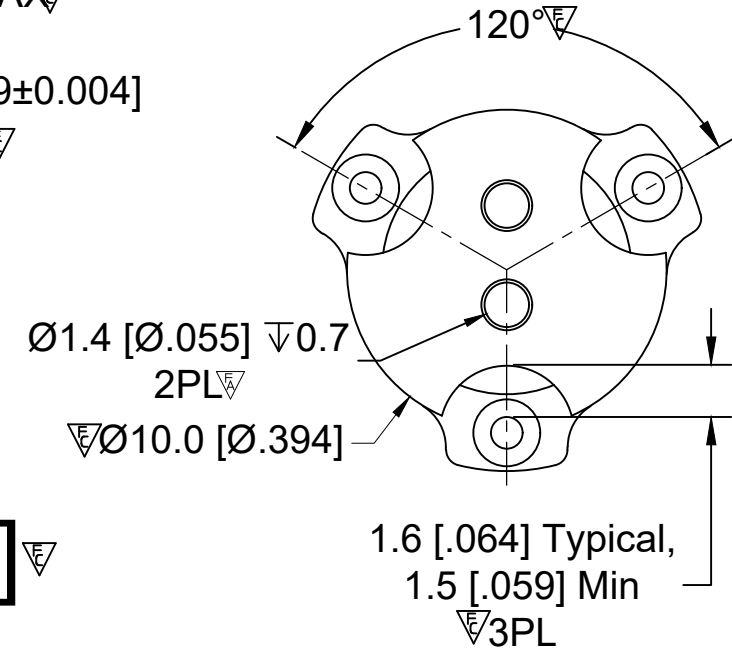
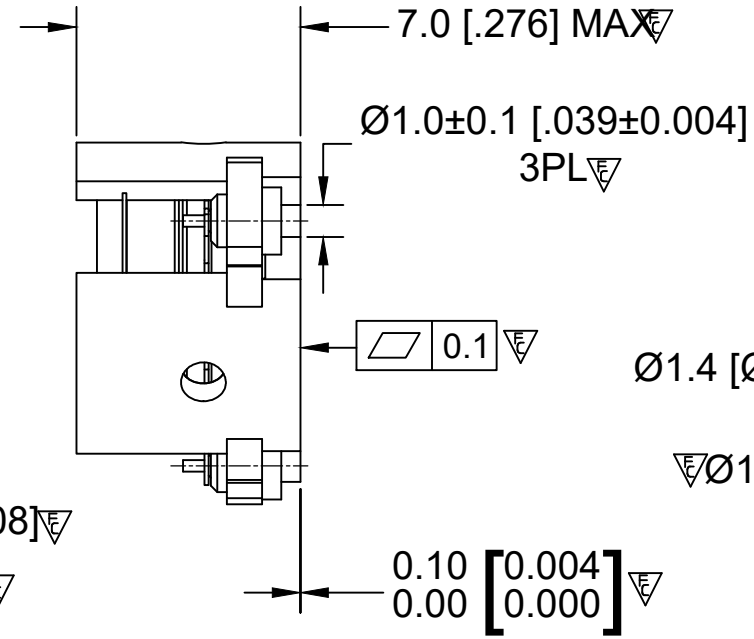
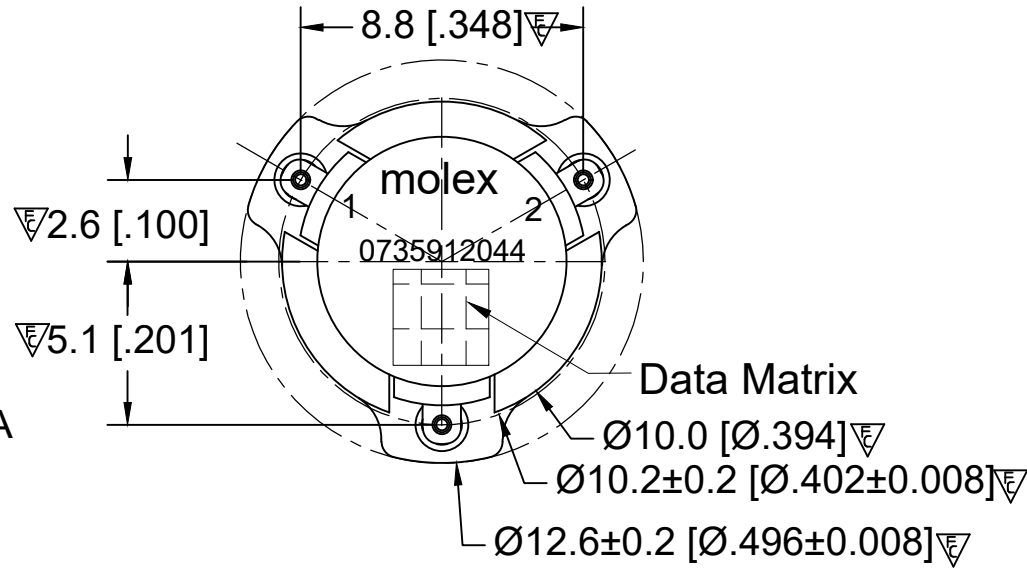


RECOMMENDED LAND PATTERN :

Zone A must be attached to heat sink. Thermal conductivity of intermediate layers between Zone A and heat sink must be better than 0.1 W / [°C x mm].



PCB Material :Rogers RO4350B,0.508mm thickness
trace width 1.07mm wide.



BODY: CARBON STEEL, SILVER PLATED
RIGID PINS: COPPER, SILVER PLATED

NOTES:

- 1.STANDARD INPUT/OUTPUT IMPEDANCE 50 Ohm
- 2.LEAD FREE, NO Nd MATERIAL, BeO FREE
- 3.THE DIMENSION OF DATE MATRIX IS 3X3MM INFORMATION INCLUDING WORK ORDER NUMBER-SERIAL NUMBER-MATERIAL NUMBER
- 4.THIS PART COMPLIES WITH ALL RoHS REQUIREMENTS

ELECTRICAL SPECIFICATION :

Frequency Range : 3400~3600 MHz
 Insertion Loss : 0.35 dB max
 Isolation : 20 dB min
 Return Loss : 20 dB min
 IMD3(2x5 W, 1 MHz space) : -60dBc max
 Input Power: : 50W
 Peak Power: : 200W
 Operating Temperature : -40°C to +105°C
 Storage Temperature : -40°C to +125°C
 Direction : CW

ENG PART#:802-340-360-VP040

THIS DRAWING CONTAINS INFORMATION THAT IS PROPRIETARY TO MOLEX ELECTRONIC TECHNOLOGIES, LLC AND SHOULD NOT BE USED WITHOUT WRITTEN PERMISSION									
FUNCTIONAL SYMBOLS	DIMENSION UNITS	SCALE	CURRENT REV DESC:						
$F_A=0$	MM	1:1	RELEASE TO PROD						
$F_E=0$	GENERAL TOLERANCES (UNLESS SPECIFIED)		EC NO: 696580						
$F_P=0$	mm INCH		DRWN: SREN05 2022/02/21						
DIVISIONAL SYMBOLS	4 PLACES	±0.005 ±----	CHK'D: JLI252 2022/02/23						
	3 PLACES	±0.025 ±----	APPR: HWANG186 2022/03/01						
	2 PLACES	±0.13 ±----	INITIAL REVISION:						
	1 PLACE	±0.2 ±----	DRWN: SREN05 2021/11/15						
	0 PLACES	±0.4 ±----	APPR: HWANG186 2022/03/01						
	ANGULAR TOL ± 1.5 °		DOCUMENT NUMBER						
	DRAFT WHERE APPLICABLE MUST REMAIN WITHIN DIMENSIONS		THIRD ANGLE PROJECTION		DRAWING	SERIES	MATERIAL NUMBER	CUSTOMER	SHEET NUMBER
			A3-SIZE		73591	0735912044	CUSTOM PART	1 OF 1	
			molex				SMSJ CIRCULATOR/3400~3600MHZ/CW		
			RESTRICTED PRODUCT CUSTOMER DRAWING						
			735912044		PSD	000	A		