

THIS DRAWING IS UNPUBLISHED.

RELEASED FOR PUBLICATION

ALL RIGHTS RESERVED.

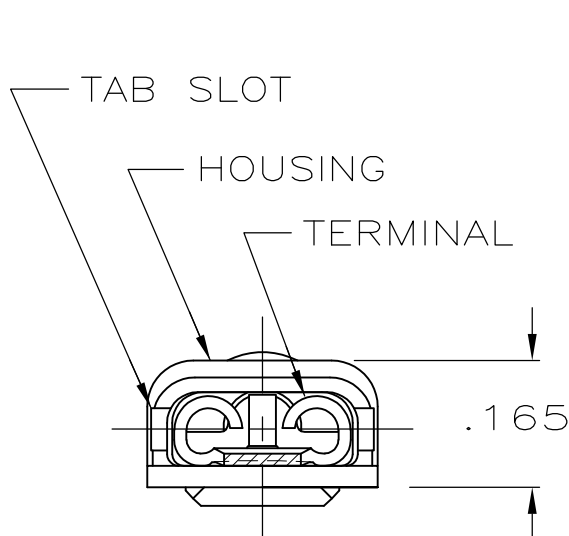
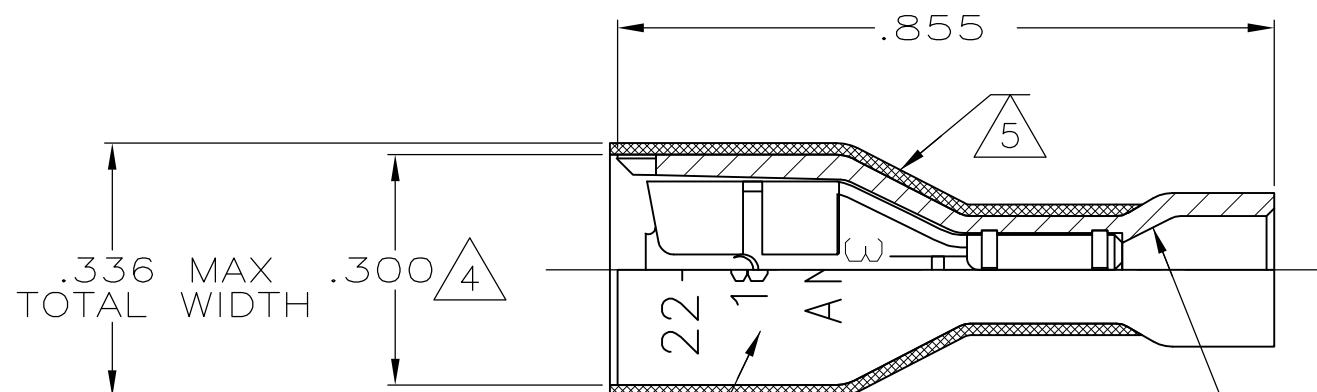
© COPYRIGHT - By -

LOC AF DIST 50

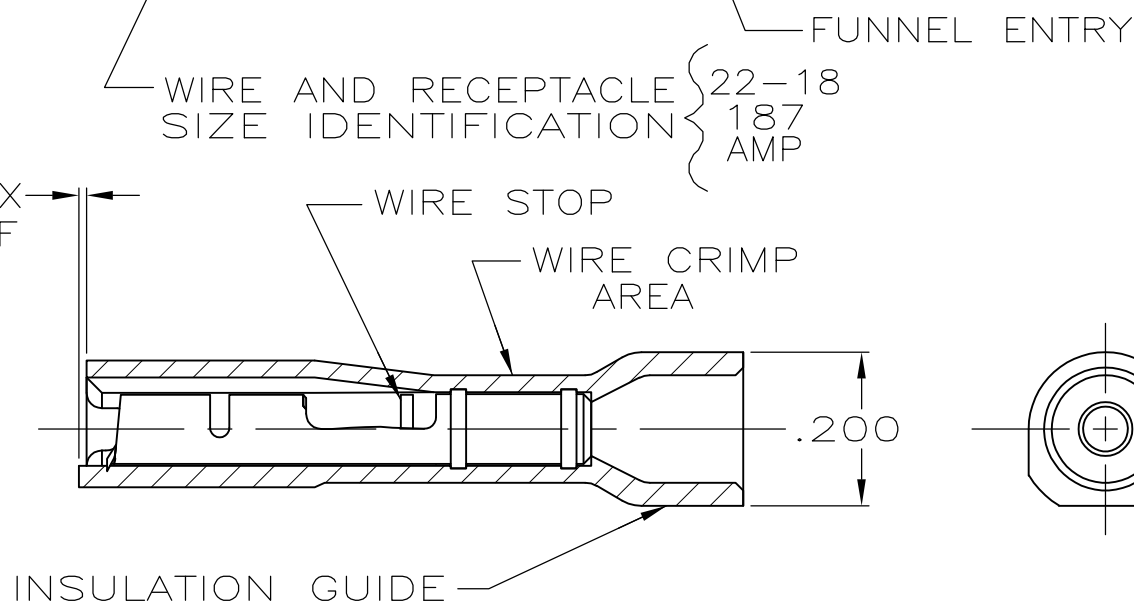
REVISIONS

P	LTR	DESCRIPTION	DATE	DWN	APVD
P		REVISED PER ECR-13-004343	30JUL13	KH	KR

- 1 MATES WITH .032±.001x.187 TAB
- 2 WIRE STRIP LENGTH .281
- 3 INSULATION SIZE .135 MAX DIA
- 4 DIMENSION DOES NOT INCLUDE TRIM BURR
- 5 .015 MAX CARRIER TRIM BURR PER SIDE IS ALLOWABLE IN THE SHADED AREA



.010 MAX CUT-OFF TAB



HOUSING: NYLON, COLOR-RED TRANSLUCENT
RECEPTACLE: BRASS, TIN

2-520194-2

MATERIAL & FINISH

PART NO

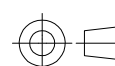
THIS DRAWING IS A CONTROLLED DOCUMENT.

DWN P FORTNEY 10/13/88
 CHK JR RUTH 10/18/88
 APVD K RANDOLPH 10/18/88



DIMENSIONS: INCHES

TOLERANCES UNLESS OTHERWISE SPECIFIED:



0 PLC ± -
 1 PLC ± -
 2 PLC ± -
 3 PLC ± .015
 4 PLC ± -
 ANGLES ± -

MATERIAL SEE TABLE

FINISH SEE TABLE

108-2043

114-2123

WEIGHT -

RECEPTACLE ASSY, ULTRA-FAST, LOOSE PIECE, .187 SERIES, 22-18 AWG

SIZE	CAGE CODE	DRAWING NO	RESTRICTED TO
A3	00779	C-520194	-

CUSTOMER DRAWING

SCALE 4:1 SHEET 1 OF 1 REV P