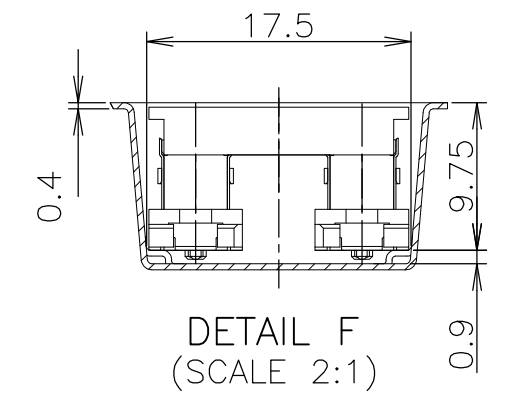
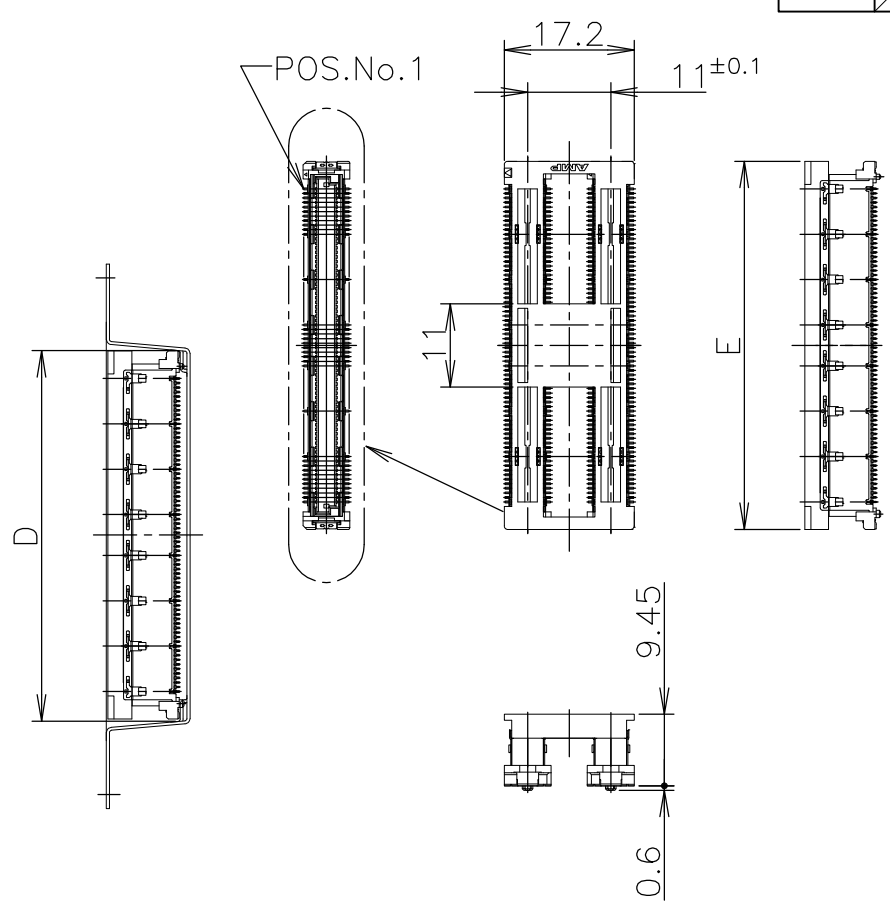
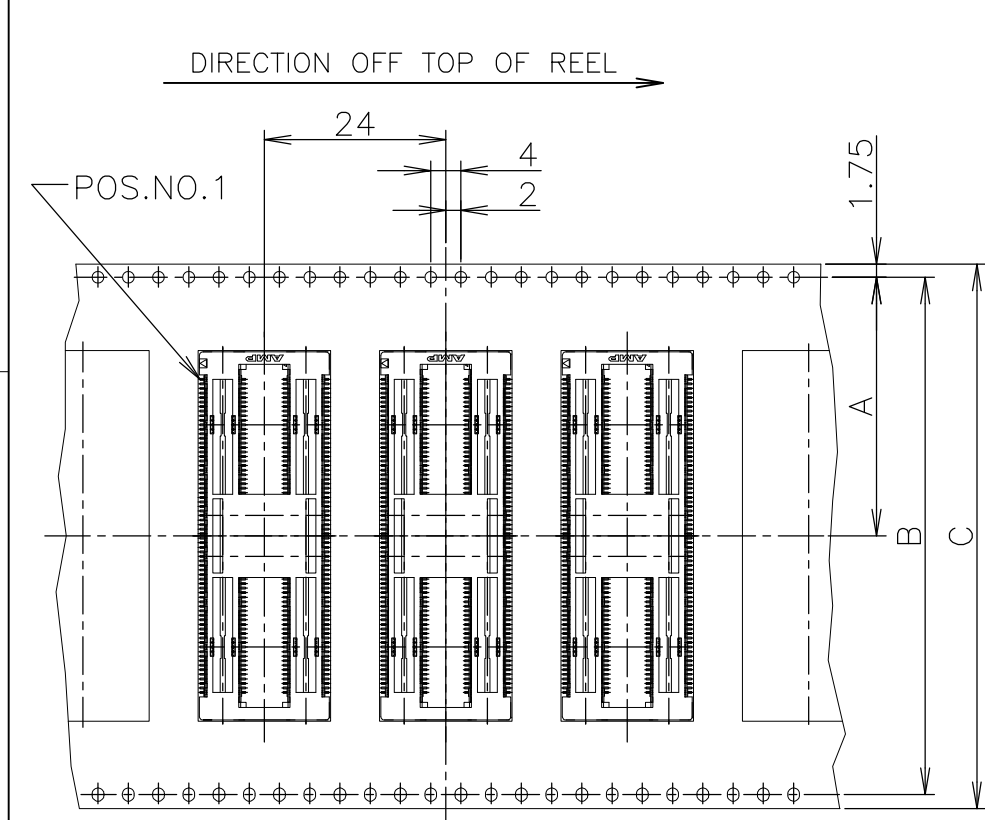
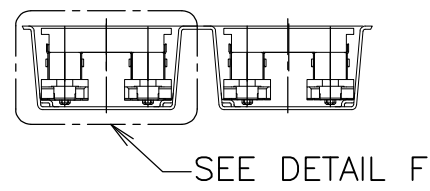


THIS DRAWING IS UNPUBLISHED. RELEASED FOR PUBLICATION JUN , 1996.
 © COPYRIGHT 1996 BY TYCO ELECTRONICS CORPORATION. ALL RIGHTS RESERVED.

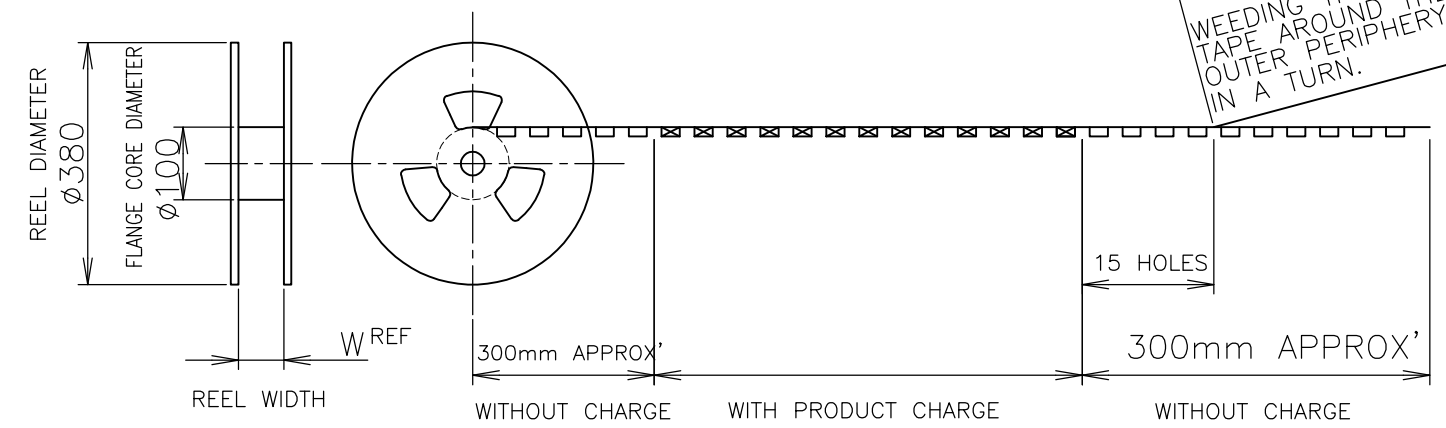
LOC	DIST	REVISIONS					
		P	LTR	DESCRIPTION	DATE	DWN	APVD
J			A	REVISED ECR-08-000339	01FEB08	T.T	T.F
			B	REVISED PER ECO-17-002393	27MAY17	B.J	S.Y



CONNECTOR DETAIL



WEEDING THE COVER TAPE AROUND THE OUTER PERIPHERY IN A TURN.



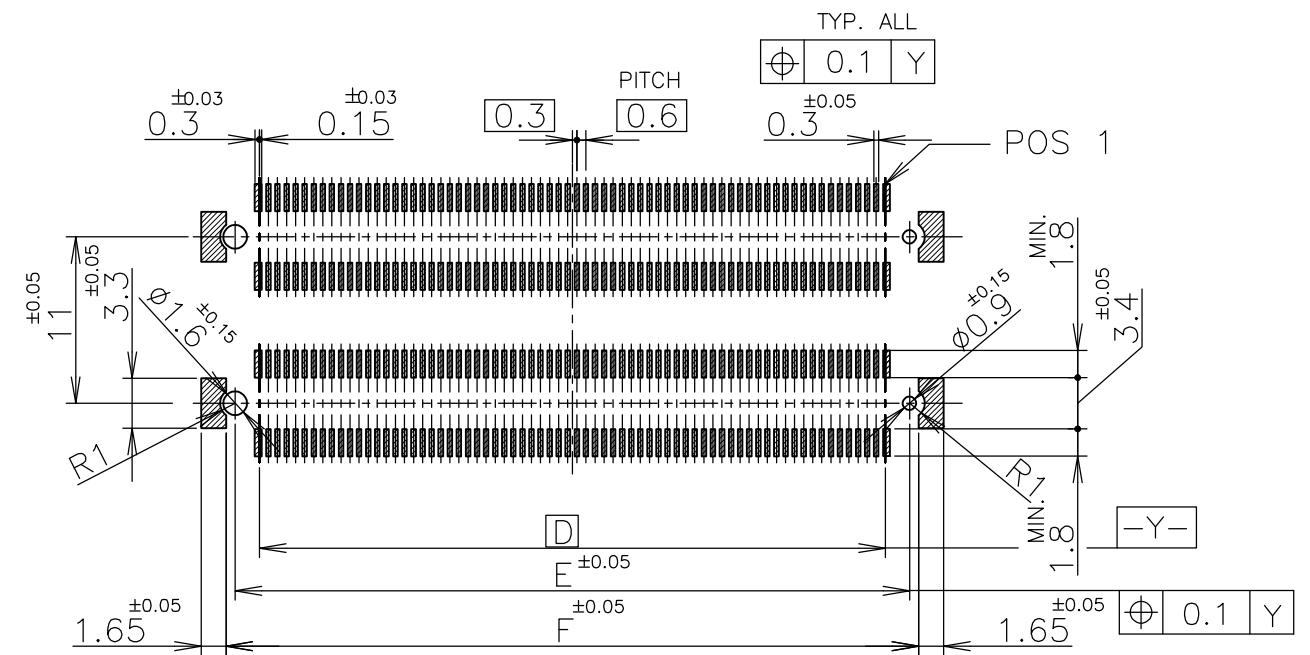
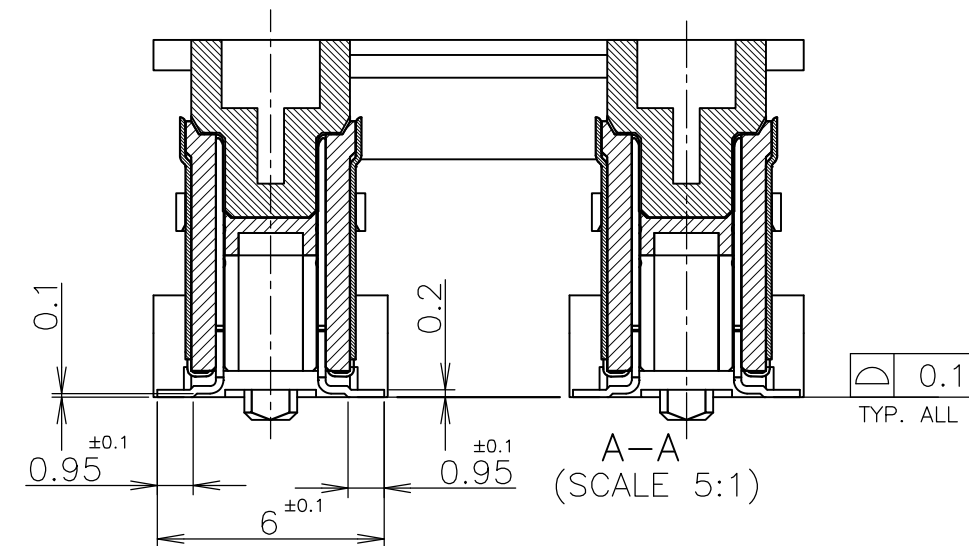
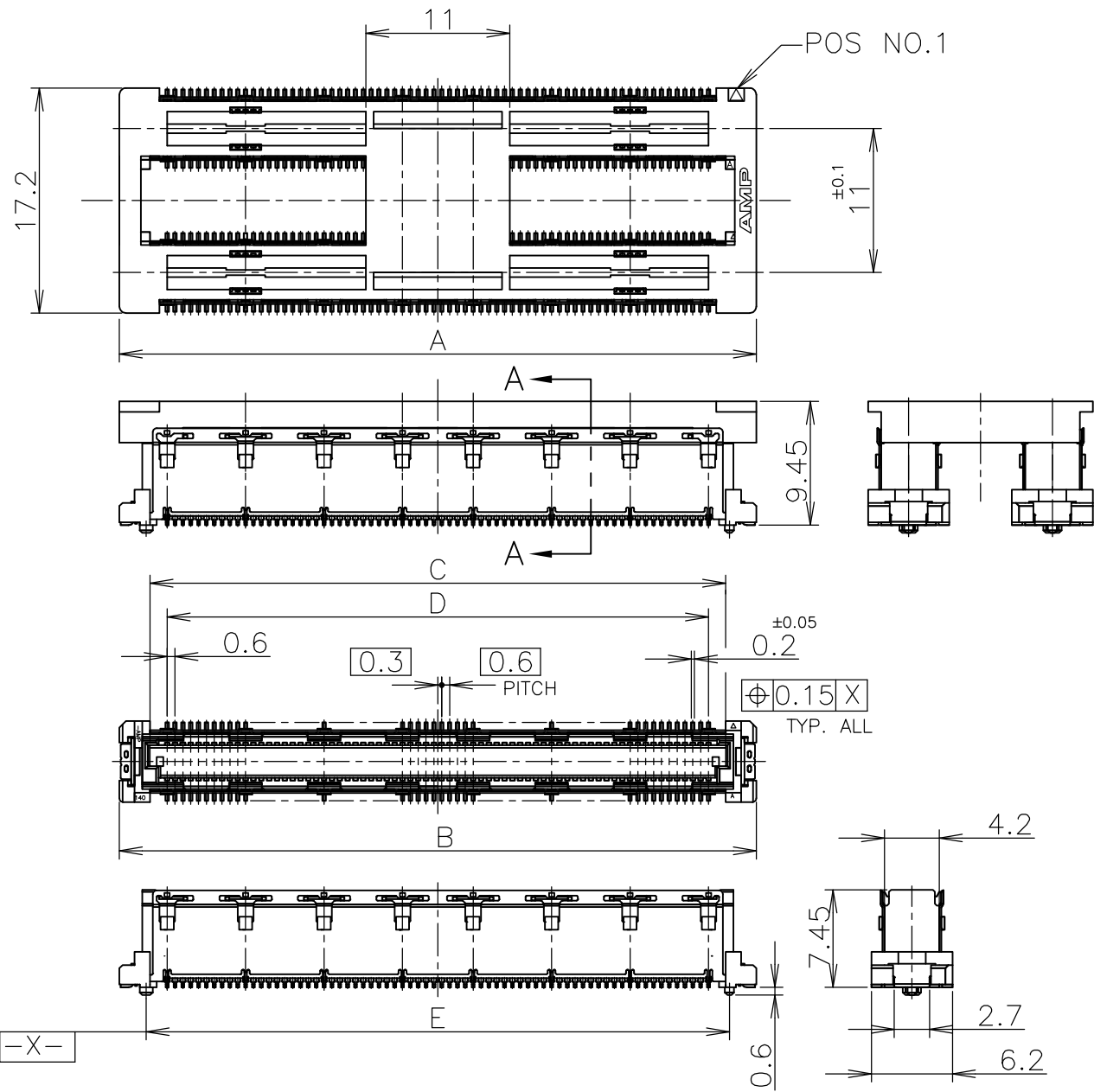
SEALANT	TOOLING STATUS	QTY.	W	E	D	C	B	A	POS.	PART NO.
SEALANT	NOT AVAILABLE	300	77.5	54.7	55	72	68.4	34.2	320	6-5353233-1
	AVAILABLE	↑	77.5	48.7	49	72	68.4	34.2	280	6-0
NON SEALANT	NOT AVAILABLE		61.5	42.7	43	56	52.4	26.2	240	5-9
	NOT AVAILABLE	300	61.5	36.7	37	56	52.4	26.2	200	5-5353233-8
NON SEALANT	NOT AVAILABLE	300	77.5	54.7	55	72	68.4	34.2	320	1-5353233-1
	AVAILABLE	↑	77.5	48.7	49	72	68.4	34.2	280	1-0
NON SEALANT	NOT AVAILABLE		61.5	42.7	43	56	52.4	26.2	240	-9
	NOT AVAILABLE	300	61.5	36.7	37	56	52.4	26.2	200	5353233-8

THIS PRODUCT WAS COATED BY FLUX-PENETRATION-INHIBITING AGENT.

THIS DRAWING IS A CONTROLLED DOCUMENT.		DWN HAWKING HE 14DEC04	Tyco Electronics Corporation Kawasaki, Japan	
DIMENSIONS: 单位: 耗 mm		CHK STEVEN YAO 14DEC04	NAME 名称	
TOLERANCES UNLESS OTHERWISE SPECIFIED: 一般公差		APVD I.ENOMOTO 14DEC04	EMBOSS ASSY	
0 PLC ± 0.2		PRODUCT SPEC 製品規格	FH 0.6BTB CONNECTOR	
1 PLC ± 0.2		APPLICATION SPEC 取付適用規格	PLUG 8H 2ROW TYPE W/G-PLATE	
2 PLC ± 0.2		WEIGHT	SIZE A3	CAGE CODE 00779
3 PLC ± 0.2			DRAWING NO G-5353233	RESTRICTED TO
4 PLC ± 0.2				
FINISH 仕上				
MATERIAL 材料				
		CUSTOMER DRAWING	SCALE 尺度 1:1	SHEET 1 OF 3
				REV B

THIS DRAWING IS UNPUBLISHED. RELEASED FOR PUBLICATION JUN ,1996.
 © COPYRIGHT 1996 BY TYCO ELECTRONICS CORPORATION. ALL RIGHTS RESERVED.

LOC	DIST	REVISIONS			DATE	DWN	APVD
J		P	LTR	変更 DESCRIPTION			
				SEE SHEET 1	-	-	-



REFERENCE P.C.BOARD LAYOUT

51.8	50.6	47.4	50	54.7	54.7	320	1-353120-1
45.8	44.6	41.4	44	48.7	48.7	280	1- -0
39.8	38.6	35.4	38	42.7	42.7	240	-9
33.8	32.6	29.4	32	36.7	36.7	200	353120-8
F	E	D	C	B	A	POS	CAP P/N

1 MATERIAL ; HOUSING : HIGH TEMP THERMO PLASTIC
 UL94V-0
 CONTACT : COPPER ALLOY

2 FINISH ; UNDER PL Ni 0.0013mm MIN ALL OVER.
 CONTACT AREA 0.0002 MIN Au PL.
 SOLDERING AREA 0.001 MIN TIN PL.

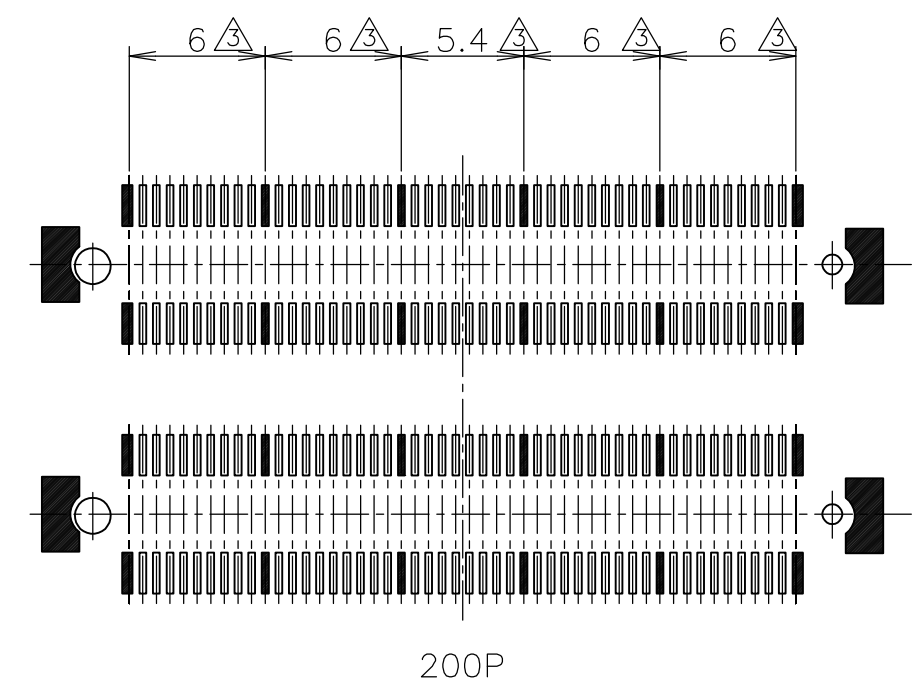
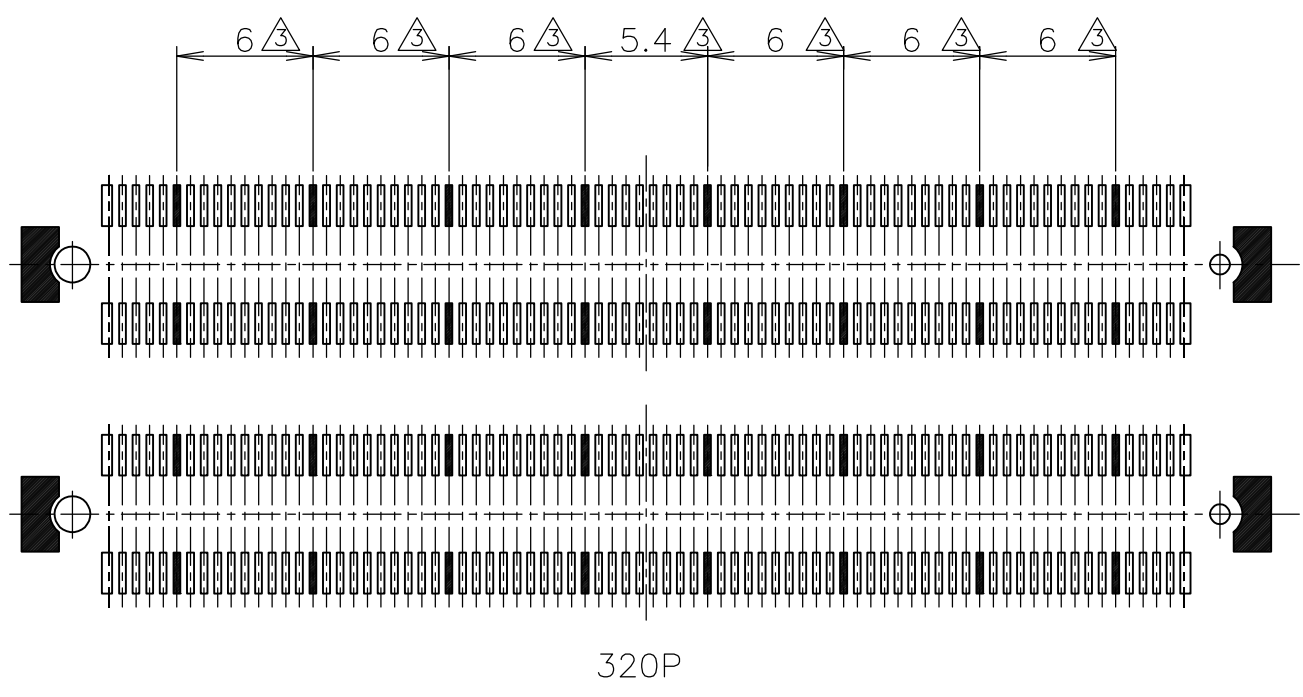
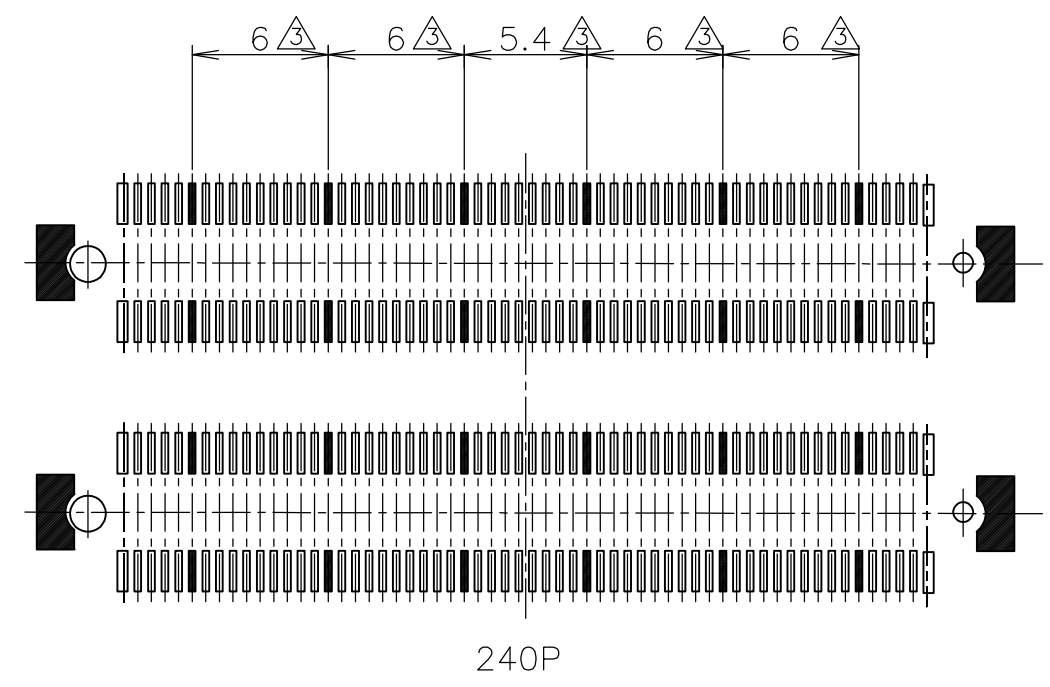
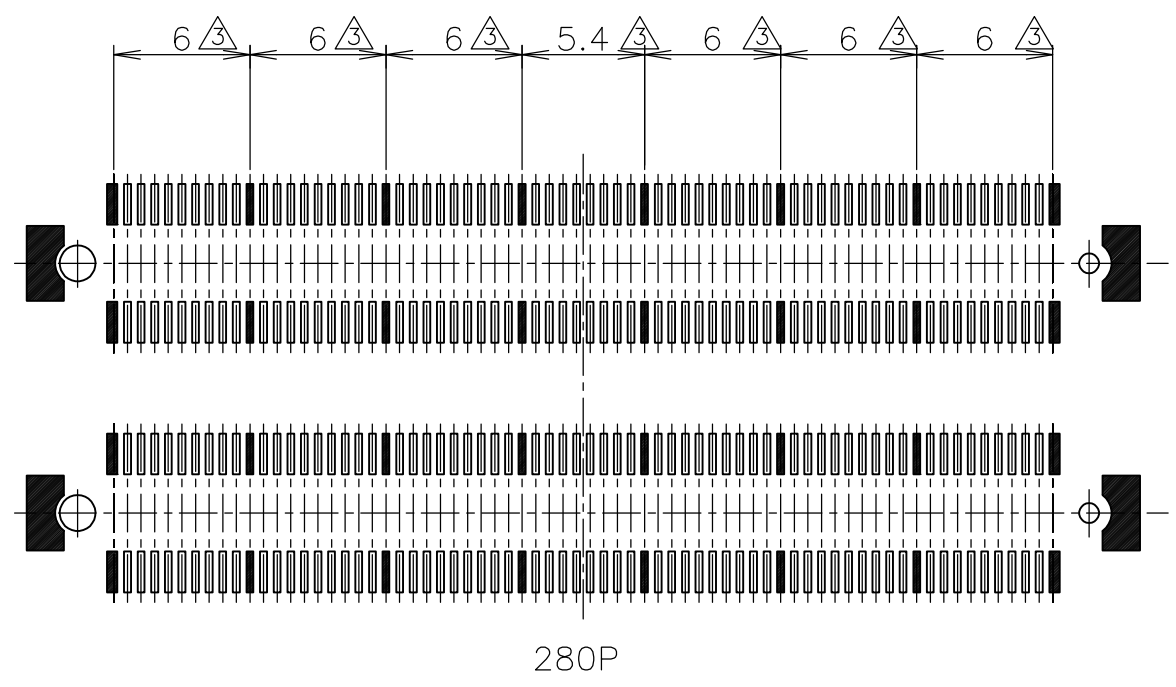
3 THIS POSITION IS GROUND CIRCUIT.

GENERAL TOLERANCE 一般公差	
10 ≥	±0.2
30 ≥	>10:±0.25
100 ≥	>30:±0.3
ANGLES:±3°	

THIS DRAWING IS A CONTROLLED DOCUMENT.		DWN		Tyco Electronics Tyco Electronics Corporation Kawasaki, Japan	
DIMENSIONS: 単位: 耗 mm		TOLERANCES UNLESS OTHERWISE SPECIFIED: 一般公差		NAME 名称	
0 PLC ± -		1 PLC ± -		EMBOSS ASSY	
2 PLC ± -		3 PLC ± -		FH 0.6BTB CONNECTOR	
3 PLC ± -		4 PLC ± -		PLUG 8H 2ROW TYPE W/G-PLATE	
4 PLC ± -		ANGLES ± -		SIZE CAGE CODE DRAWING NO	
MATERIAL 材料		FINISH 仕上		A3 00779 G-5353233	
CUSTOMER DRAWING		SCALE 尺度 2:1		SHEET 2 OF 3	
				REV B	

THIS DRAWING IS UNPUBLISHED. RELEASED FOR PUBLICATION JUN , 1996.
 © COPYRIGHT 1996 BY TYCO ELECTRONICS CORPORATION. ALL RIGHTS RESERVED.

LOC	DIST	REVISIONS			DATE	DWN	APVD
		P	LTR	DESCRIPTION			
J			-	SEE SHEET 1	-	-	-



GENERAL TOLERANCE
 一般公差
 10 ≥ : ±0.2
 30 ≥ >10 : ±0.25
 100 ≥ >30 : ±0.3
 ANGLES : ±3°

THIS DRAWING IS A CONTROLLED DOCUMENT.		DWN	Tyco Electronics Corporation Kawasaki, Japan
DIMENSIONS: 単位: 耗 mm	TOLERANCES UNLESS OTHERWISE SPECIFIED: 一般公差	CHK	
	0 PLC ± -	APVD	
	1 PLC ± -	PRODUCT SPEC 製品規格	
	2 PLC ± -	APPLICATION SPEC 取付適用規格	
MATERIAL 材料	FINISH 仕上	WEIGHT	NAME 名称 B FH 0.6BTB CONNECTOR PLUG 8H 2ROW TYPE W/G-PLATE
			SIZE A3 CAGE CODE 00779 DRAWING NO 番号 G-5353233 RESTRICTED TO

CUSTOMER DRAWING		SCALE 尺度 3:1	SHEET 3 OF 3	REV B
------------------	--	-----------------	-----------------	----------