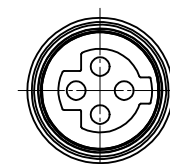
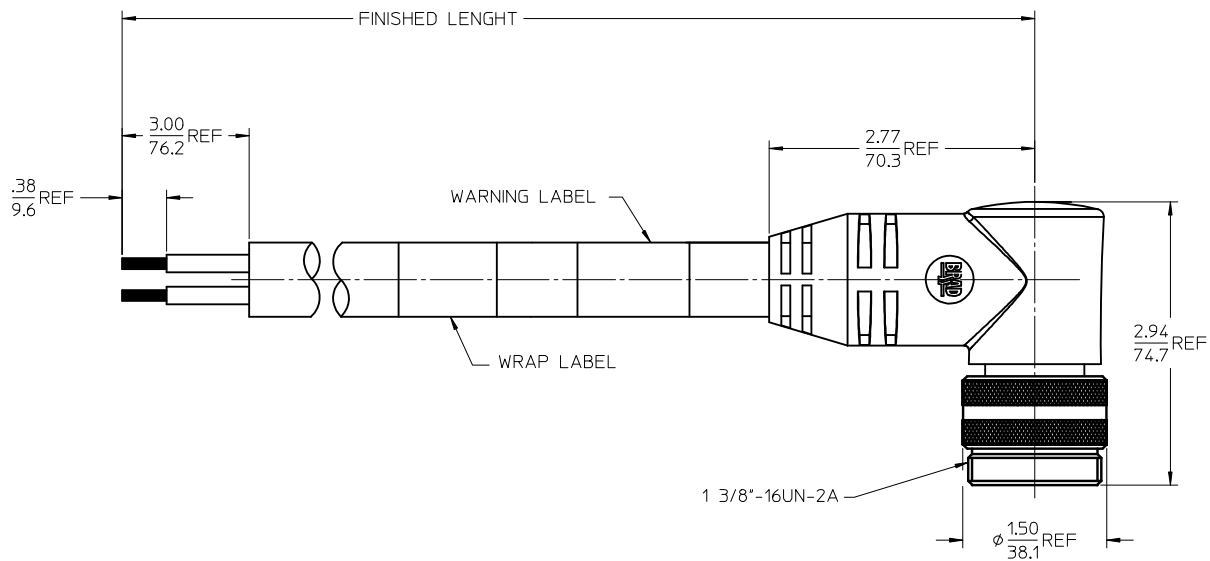
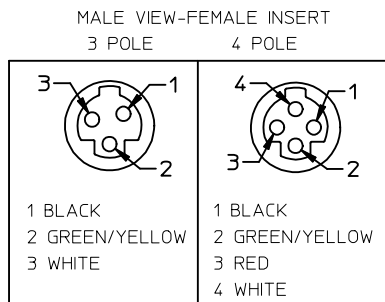


POLES	MATERIAL NO.	ENG. NO.	AMPS	LENGTH
3	1300630201	C03107A48M020	32	2M +89-0MM (6'7"+3.50-0)
4	1300630189	C04107A48M020	32	2M +89-0MM (6'7"+3.50-0)



SPECS:  
OVERMOLD: GRAY PVC  
INSERT: BLACK PVC  
COUPLING NUT: ANODIZED ALUMINUM  
CABLE: #10AWG GRAY PVC  
DUAL RATED UL TC/OPEN WIRING & ST00W  
ELECTRICAL: 600V AC/DC

<b>UPDATED PROFILE</b> EC NO: IPG2014-1160 DRWNG:GGUSTAFSON 2013/12/26 CHKD:VOU 2014/01/15 APPR:RWOODMAN 2014/05/12 REV DESCRIPTION	QUALITY SYMBOLS ▽=0 ▽=0	GENERAL TOLERANCES (UNLESS SPECIFIED) <table border="1"> <thead> <tr> <th></th> <th>mm</th> <th>INCH</th> </tr> </thead> <tbody> <tr> <td>4 PLACES ±</td> <td>---</td> <td>---</td> </tr> <tr> <td>3 PLACES ±</td> <td>---</td> <td>±.005</td> </tr> <tr> <td>2 PLACES ±</td> <td>---</td> <td>±.010</td> </tr> <tr> <td>1 PLACE ±</td> <td>---</td> <td>±.020</td> </tr> </tbody> </table>		mm	INCH	4 PLACES ±	---	---	3 PLACES ±	---	±.005	2 PLACES ±	---	±.010	1 PLACE ±	---	±.020	DIMENSION STYLE IN/MM DRAWN BY DATE B.RUPERT 01/12/2010 CHECKED BY DATE B.WOODMAN 01/12/2010 APPROVED BY DATE JFMURPHY 2010/01/15	SCALE 1:2 DESIGN UNITS INCH THIRD ANGLE PROJECTION	<b>MOLEX INCORPORATED</b> <b>QUICK CHANGE MALE 90 DEG. ALT KEY 3 &amp; 4 POLE PORTABLES</b> SD-130063-201 SHEET NO. 1 OF 1
		mm	INCH																	
4 PLACES ±	---	---																		
3 PLACES ±	---	±.005																		
2 PLACES ±	---	±.010																		
1 PLACE ±	---	±.020																		
DRAFT WHERE APPLICABLE MUST REMAIN WITHIN DIMENSIONS	MATERIAL NO. SEE CHART DOCUMENT NO. SD-130063-201 SIZE C THIS DRAWING CONTAINS INFORMATION THAT IS PROPRIETARY TO MOLEX INCORPORATED AND SHOULD NOT BE USED WITHOUT WRITTEN PERMISSION																			