

1612683-1 ✓ ACTIVE

AMP | Multilock Connector System

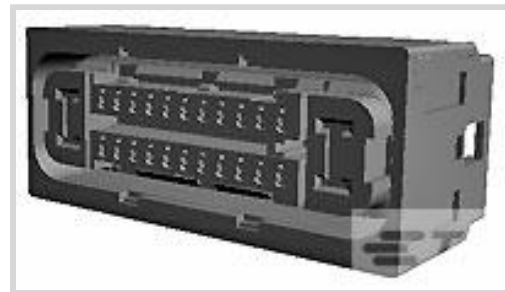
TE Internal #: 1612683-1

Housing for Female Terminals, Wire-to-Board / Wire-to-Device, 26
Position, .157 in / .372 in [9.45 mm / 4 mm] Centerline, Multilock
Connector System

[View on TE.com >](#)



Connectors > Automotive Connectors > Automotive Housings > MULTILOCK, CONNECTOR HOUSING



Connector & Housing Type: **Housing for Female Terminals**

Mating Tab Width: **1.5 mm, 4.8 mm [.059 in, .189 in]**

Connector System: **Wire-to-Board, Wire-to-Device**

Number of Positions: **26**

Centerline (Pitch): **4 mm, 9.45 mm [.157 in, .372 in]**

[All MULTILOCK, CONNECTOR HOUSING \(567\)](#)

Features

Product Type Features

Connector Shape	Rectangular
Connector & Housing Type	Housing for Female Terminals
Connector System	Wire-to-Board, Wire-to-Device
Sealable	Yes
Hybrid Connector	Yes
Primary Locking Feature	Integrated in Housing

Configuration Features

Number of Positions	26
Number of Rows	2

Electrical Characteristics

Operating Voltage	12 VDC
Nominal Voltage Architecture	12 V

Body Features

Cable Exit Angle	180°
Primary Product Color	Black

Contact Features

--	--



Contact Size	1.5mm, 4.8mm
Contact Type	Receptacle
Mating Tab Width	1.5 mm, 4.8 mm [.059 in][.189 in]

Mechanical Attachment

Terminal Position Assurance	Yes
Strain Relief	Without
Mating Alignment Type	Polarization Slot
Mating Alignment	With
Connector Mounting Type	Cable Mount (Free-Hanging)

Housing Features

Housing Material	PBT
Centerline (Pitch)	4 mm, 9.45 mm [.157 in][.372 in]

Dimensions

Connector Height	33.5 mm [1.319 in]
Product Width	34 mm [1.339 in]
Product Length	82.4 mm [3.244 in]
Row-to-Row Spacing	4 mm, 5.75 mm, 7.8 mm [.157 in][.226 in][.307 in]

Usage Conditions

Operating Temperature (Max)	70 °C, 75 °C, 80 °C, 85 °C, 90 °C, 100 °C, 105 °C [158 °F][167 °F][176 °F][185 °F][194 °F][212 °F][221 °F]
Operating Temperature Range	-30 – 105 °C [-22 – 221 °F]

Operation/Application

Circuit Application	Signal
---------------------	--------

Packaging Features

Packaging Quantity	54
Packaging Method	Box

Other

Serviceable	Yes
Connector Position Assurance Capable	No

Product Compliance



[For compliance documentation, visit the product page on TE.com>](#)

EU RoHS Directive 2011/65/EU	Compliant
EU ELV Directive 2000/53/EC	Compliant
China RoHS 2 Directive MIIT Order No 32, 2016	No Restricted Materials Above Threshold
EU REACH Regulation (EC) No. 1907/2006	Current ECHA Candidate List: JUNE 2023 (235) Candidate List Declared Against: JUNE 2023 (235) Does not contain REACH SVHC
Halogen Content	BFR/CFR/PVC Free, but Br/Cl >900 ppm in other sources.
Solder Process Capability	Not applicable for solder process capability

Product Compliance Disclaimer

This information is provided based on reasonable inquiry of our suppliers and represents our current actual knowledge based on the information they provided. This information is subject to change. The part numbers that TE has identified as EU RoHS compliant have a maximum concentration of 0.1% by weight in homogenous materials for lead, hexavalent chromium, mercury, PBB, PBDE, DBP, BBP, DEHP, DIBP, and 0.01% for cadmium, or qualify for an exemption to these limits as defined in the Annexes of Directive 2011/65/EU (RoHS2). Finished electrical and electronic equipment products will be CE marked as required by Directive 2011/65/EU. Components may not be CE marked. Additionally, the part numbers that TE has identified as EU ELV compliant have a maximum concentration of 0.1% by weight in homogenous materials for lead, hexavalent chromium, and mercury, and 0.01% for cadmium, or qualify for an exemption to these limits as defined in the Annexes of Directive 2000/53/EC (ELV). Regarding the REACH Regulation, the information TE provides on SVHC in articles for this part number is based on the latest European Chemicals Agency (ECHA) 'Guidance on requirements for substances in articles' posted at this URL: <https://echa.europa.eu/guidance-documents/guidance-on-reach>

Compatible Parts

 <p>TE Part # 1612684-1 060/187 ABS 26POS COVER ASSY</p>	 <p>TE Part # 1612684-2 060/187 ABS 26P LEVER ASSY</p>	 <p>TE Part # 1674719-1 060/187 26POS LEVER ASSY STRAI</p>
---	--	---

Also in the Series | [Multilock Connector System](#)



Automotive Connector Caps & Covers (17)



Automotive Connector EMC Shielding (1)



Automotive Connector Locks & Position Assurance(2)



Automotive Housings(603)



Automotive Terminals(141)



Connector Seals & Cavity Plugs(2)



Insertion & Extraction Tools(6)



Other Automotive Connector Accessories(14)

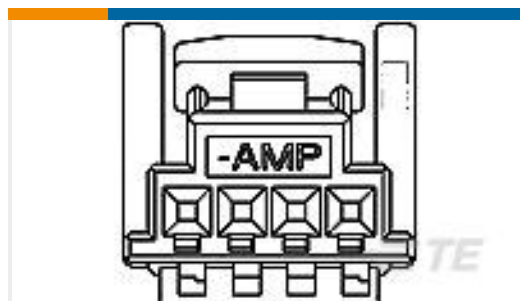


PCB Headers & Receptacles(142)

Customers Also Bought



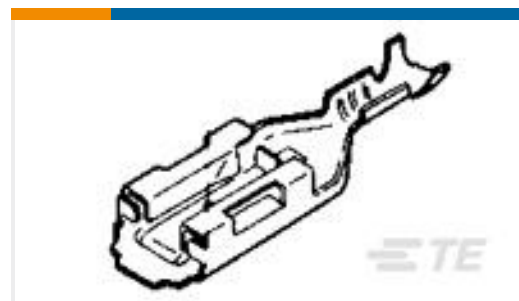
TE Part #282762-1
JPT SPLASH-PROOF FEM.CONN2
POS



TE Part #1473672-2
025 PLUG ASSY



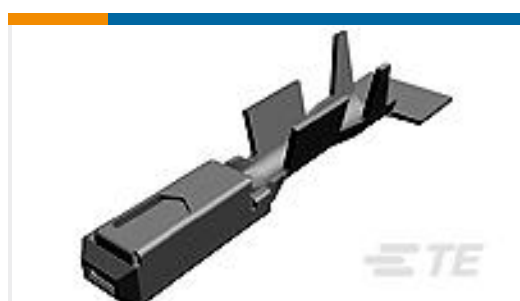
TE Part #1743282-1
8POS MQS REC COD A



TE Part #170454-2
PL 250 AM REC 18-14 0.40 X 21 PRE-
TPBR



TE Part #1981341-2
2.3 UNSEALED TW REC.CONTACT



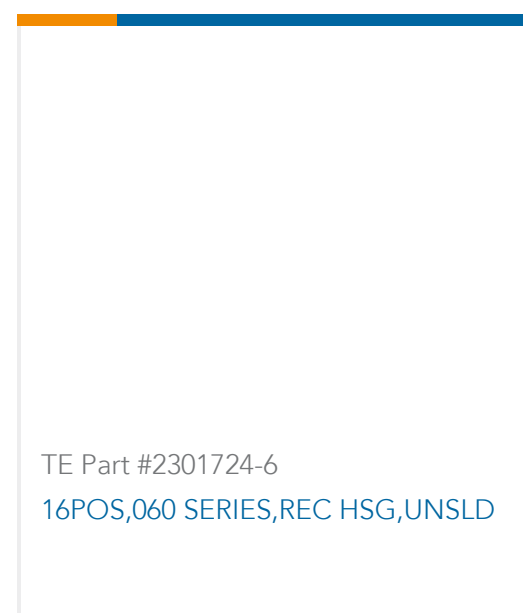
TE Part #1241608-1
MQS1,5 Sn rec CB unseal. 0,75-1,5



TE Part #1488991-1
3POS, MCON 1.2 CB REC 2p TL
SEALED



TE Part #776001-1
RECPT TERMINAL 1.5MM OBD CONN



Documents

Product Drawings

[060/187 ABS 26POS PLUG ASSY](#)

Japanese

CAD Files

Customer View Model

[ENG_CVM_CVM_1612683-1_B.2d_dxf.zip](#)

English

[3D PDF](#)

3D

Customer View Model

[ENG_CVM_CVM_1612683-1_B.3d_igs.zip](#)

English

Customer View Model

[ENG_CVM_CVM_1612683-1_B.3d_stp.zip](#)

English

By downloading the CAD file I accept and agree to the [Terms and Conditions](#) of use.

Datasheets & Catalog Pages

[MULTILOCK Connector System](#)

English

Product Specifications

[Application Specification](#)

English

[Crimping of 187 Series, Waterproof Contact](#)

English

[Crimping of Sealed type .060 Receptacle Contact](#)

Japanese

[Application Specification](#)

Japanese

Instruction Sheets

[060 CAVITY PLUG](#)

Japanese

[Instruction Sheet \(non U.S.\)](#)



Japanese

[060/187 PLUG ASSY 47Pos.](#)

Japanese

[Instruction Sheet \(non U.S.\)](#)

Japanese

[060/187 PLUG ASSY 47Pos.](#)

Japanese

[Instruction Sheet \(non U.S.\)](#)

Japanese

[060 CAVITY PLUG](#)

Japanese

[Instruction Sheet \(non U.S.\)](#)

Japanese