

TABLE 1

MOLEX PN	L [mm]	Tol. [mm]
1204901583	1000	+40
1204901584	2000	+60
1204901585	3000	+60
1204901586	4000	+60
1204901587	5000	+60
1204901588	10000	+80
1204901589	15000	+140
1204901590	20000	+140

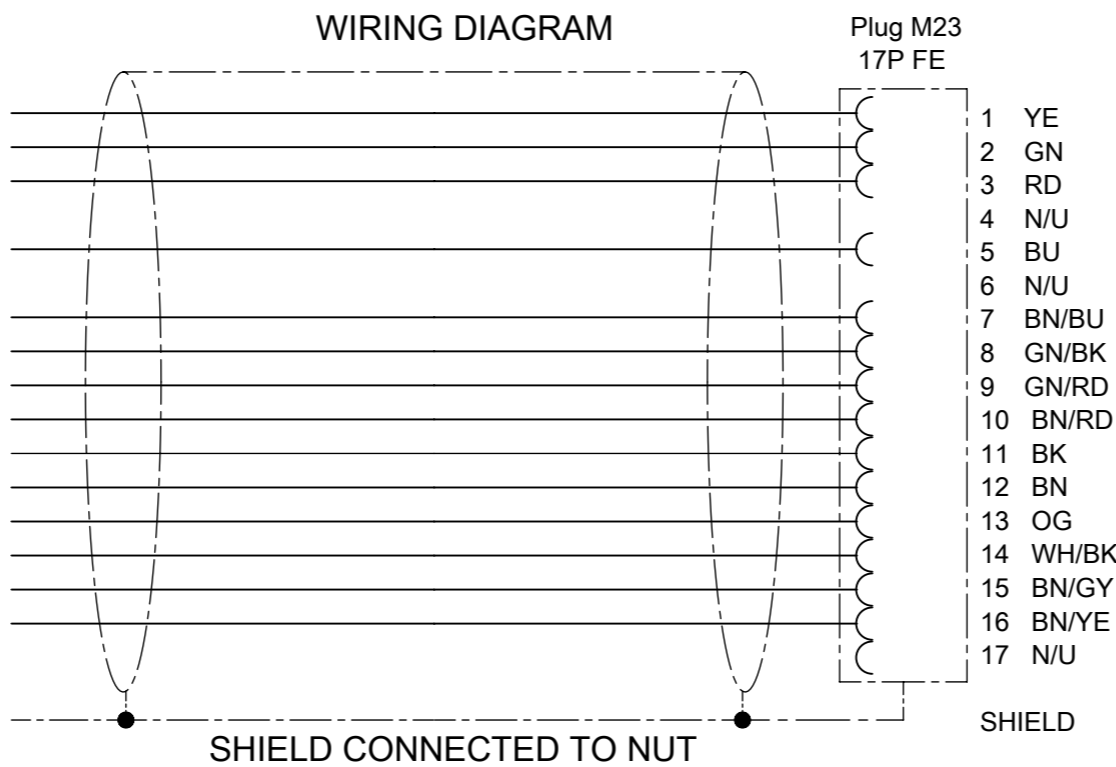
Technical Data:

Number of positions	17
Number of contacts	17
Contact Ø [mm]	1
Nominal current [A]	9 (for 0.50 mm ²) 4.5 (for 0.25 mm ²) 3 (for 0.14 mm ²)
Nominal voltage [V~]	160
Degree of pollution	3
Test voltage [V~]	1500
Max. contact resistance [mΩ]	3
Insulation resistance [MΩ]	>10 ¹⁰
Protection	IP67 (connected)
Temperature range (fixed)	-40°C to 90°C
Temperature range (flex)	-25°C to 80°C

Further details see Product Specification 1204900050

The cordsets delivered packed into carton without PE-bag

WIRING DIAGRAM



- 1 YE
- 2 GN
- 3 RD
- 4 N/U
- 5 BU
- 6 N/U
- 7 BN/BU
- 8 GN/BK
- 9 GN/RD
- 10 BN/RD
- 11 BK
- 12 BN
- 13 OG
- 14 WH/BK
- 15 BN/GY
- 16 BN/YE
- 17 N/U

Connector pin assignment
Plug M23 17P FE

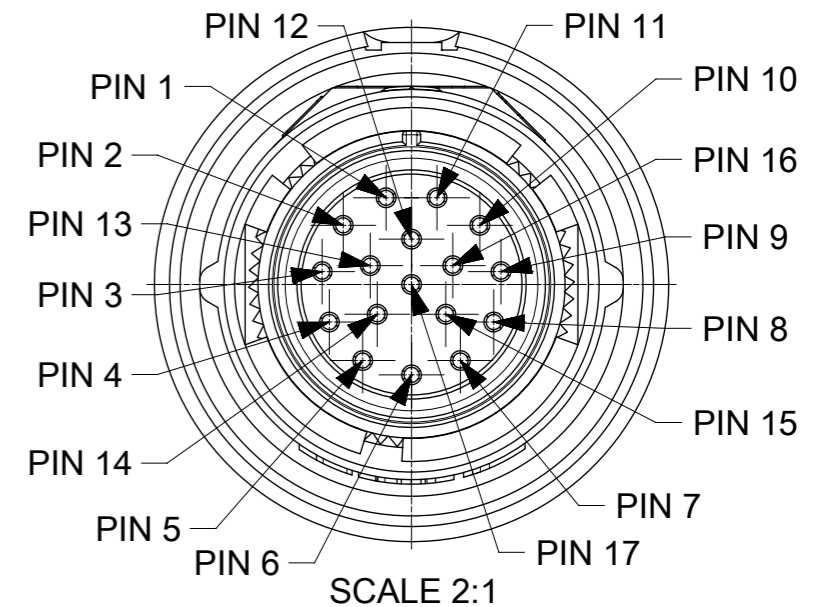
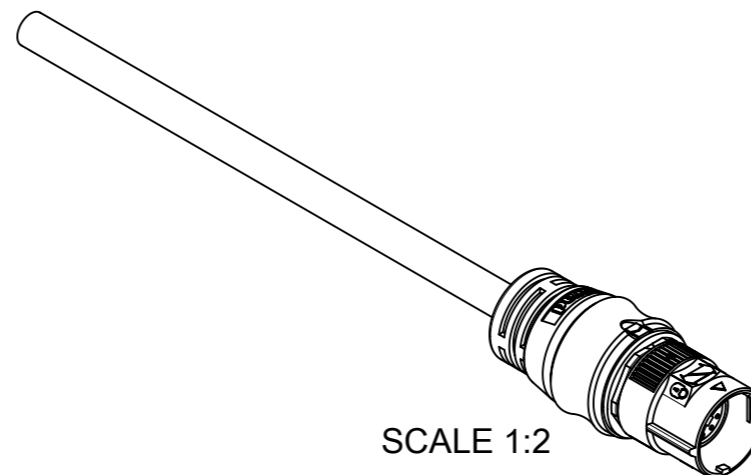
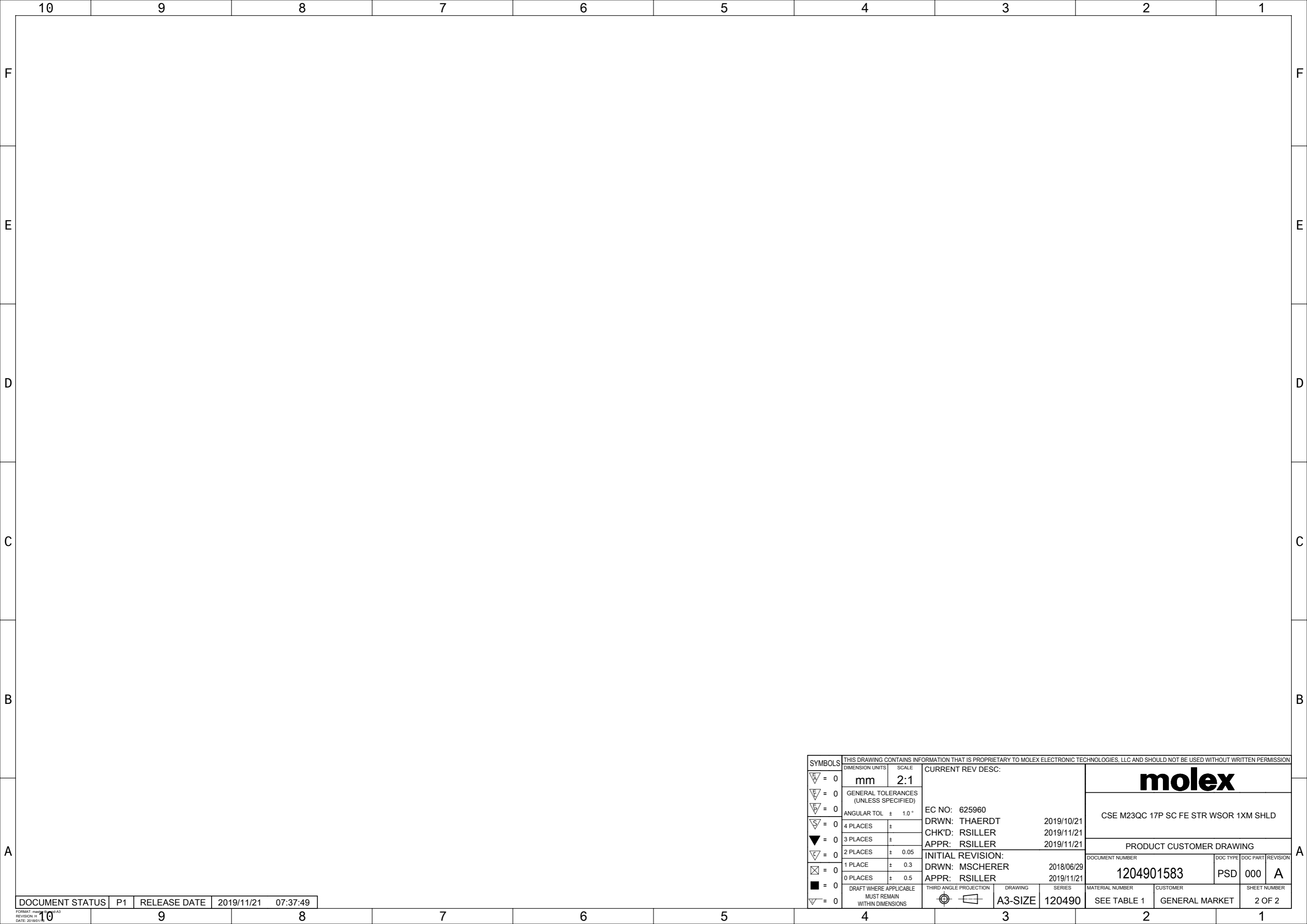


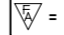
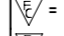
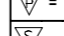

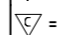


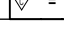

TABLE 2

ITEM	QTY	DESCRIPTION
1	1	PLG M23QC 17P PC FE STR SHLD
2	1	CABLE 3X(2X0.14)+2X0.50+4X0.14+4X0.25 WSOR

SYMBOLS		THIS DRAWING CONTAINS INFORMATION THAT IS PROPRIETARY TO MOLEX ELECTRONIC TECHNOLOGIES, LLC AND SHOULD NOT BE USED WITHOUT WRITTEN PERMISSION		CURRENT REV DESC:		molex				
▽ = 0	mm	SCALE	1:1	EC NO: 625960			CSE M23QC 17P SC FE STR WSOR 1XM SHLD			
▽ = 1	GENERAL TOLERANCES (UNLESS SPECIFIED)	DRWN: THAERDT 2019/10/21								
▽ = 0	ANGULAR TOL ± 1.0°	CHK'D: RSILLER 2019/11/21			PRODUCT CUSTOMER DRAWING					
▽ = 0	4 PLACES ±	APPR: RSILLER 2019/11/21			DOCUMENT NUMBER			DOC TYPE DOC PART REVISION		
▽ = 0	3 PLACES ±	INITIAL REVISION:			1204901583			PSD 000 A		
▽ = 0	2 PLACES ± 0.05	DRWN: MSCHERER 2018/06/29			MATERIAL NUMBER			CUSTOMER		
▽ = 0	1 PLACE ± 0.3	APPR: RSILLER 2019/11/21			SEE TABLE 1			GENERAL MARKET		
▽ = 0	0 PLACES ± 0.5	DRAFT WHERE APPLICABLE MUST REMAIN WITHIN DIMENSIONS			THIRD ANGLE PROJECTION			SHEET NUMBER		
▽ = 0		DRAWING			A3-SIZE			120490		
▽ = 0		SERIES			120490			1 OF 2		





SYMBOLS	THIS DRAWING CONTAINS INFORMATION THAT IS PROPRIETARY TO MOLEX ELECTRONIC TECHNOLOGIES, LLC AND SHOULD NOT BE USED WITHOUT WRITTEN PERMISSION											
	 = 0	DIMENSION UNITS	SCALE	CURRENT REV DESC:							molex	
	 = 0	mm	2:1	EC NO: 625960 DRWN: THAERDT 2019/10/21 CHK'D: RSILLER 2019/11/21 APPR: RSILLER 2019/11/21								
	 = 0	GENERAL TOLERANCES (UNLESS SPECIFIED)									PRODUCT CUSTOMER DRAWING	
	 = 0	ANGULAR TOL ± 1.0 °									DOCUMENT NUMBER	
	 = 0	4 PLACES ±		INITIAL REVISION:		1204901583		DOC TYPE	DOC PART	REVISION		
	 = 0	3 PLACES ±		DRWN: MSCHERER 2018/06/29		PSD		000	A			
	 = 0	2 PLACES ±	0.05	APPR: RSILLER 2019/11/21		GENERAL MARKET		SHEET NUMBER				
	 = 0	1 PLACE ±	0.3	DRAFT WHERE APPLICABLE MUST REMAIN WITHIN DIMENSIONS		A3-SIZE		2 OF 2				
	 = 0	0 PLACES ±	0.5	THIRD ANGLE PROJECTION		SERIES		MATERIAL NUMBER		CUSTOMER		

DOCUMENT STATUS	P1	RELEASE DATE	2019/11/21	07:37:49
-----------------	----	--------------	------------	----------