



## 12 Watt Interchangeable Plug Series



### Features

- Double Insulated
- Class B EMI
- Level VI Efficiency Compliant
- Limited Power Source (LPS)

### Applications

- Wireless Communications
- Network Equipment
- Peripherals
- Gaming

### Safety Approvals

- cUL/UL 60950-1
- cUL/UL 62368-1
- AS/NZ 60950-1
- IEC60950-1
- IEC62368-1
- CE

### Mechanical Characteristics

- Length: 71.6mm (2.82in)
- Width: 50mm (1.97in)
- Height: 33.25mm (1.22in)
- Weight: 112g (3.95oz)

### Output Specifications

Model	DC Output Voltage	Load		Ripple <sup>(1)</sup> P-P (max.)
		Min.	Max.	
PSAC12R-050-R	5V	0A	2.4A	100mV
PSAC12R-060-R	5.9V	0A	2.0A	100mV
PSAC12R-075-R	7.5V	0A	1.6A	100mV
PSAC12R-090-R	9V	0A	1.33A	120mV
PSAC12R-120-R	12V	0A	1.0A	120mV
PSAC12R-150-R	15V	0A	0.8A	150mV
PSAC12R-240-R	24V	0A	0.5A	240mV
PSAC12R-480-R	48V	0A	0.25A	480mV

Notes:

1. Ripple measured by using a 12-inch twisted pair terminated with 10uF capacitor and 0.1uF ceramic in parallel with oscilloscope set to 20Mhz measured after a warm-up of 10minutes.

**INPUT****Input Voltage Rating**

100 to 240VAC

**AC Input Voltage Range**

90 to 264VAC

**AC Input Current**0.5A (RMS), 120VAC at maximum load  
0.25A (RMS), 230VAC at maximum load**AC Input Frequency**

47 to 63Hz

**In-rush Current**<30A for 120VAC at maximum load  
<60A for 230VAC at maximum load  
(cold start at ambient 25°C)**Leakage Current**

0.25mA maximum

**OUTPUT**Output Power  
12W**Efficiency<sup>2</sup>**US DoE Level VI  
EU CoC Ver5 Tier1**No Load Power Consumption**

≤75mW max @ 115V

**Hold up time**

10mS minimum at maximum load, 120VAC

**ENVIRONMENTAL****Temperature**Operation                   0°C to +40°C  
Non-operation           -40°C to +85°C  
Humidity                   50 to 90%**EMI**Complies with FCC Class B  
Complies with EN55032 Class B**Immunity**EN61000-4-2  
EN61000-4-3  
EN61000-4-4  
EN61000-4-5 Level 3  
EN61000-4-6  
EN61000-4-11**Isolation (HI-POT test)**

Input to Output: 3000VAC for 1 minute, 10mA

**Insulation Resistance**

Input to Output: 500VDC 500M Ohm minimum

**Over Current Protection**

3A max. Short Circuit Auto-restart

**Short Circuit Protection**

Output can be shorted without damage

**Over Voltage Protection**

&lt;7.5V

**Dielectric Withstand (Hi-pot) Test**Primary to Secondary: 3000V AC for 1 min.,  
10mA**DC Cord**

1500mm (18~24AWG)

**DC Output Connector (Tuning Fork Type)**

5.5mm x 2.1mm x 10mm Center Positive

**Interchangeable AC Clips**

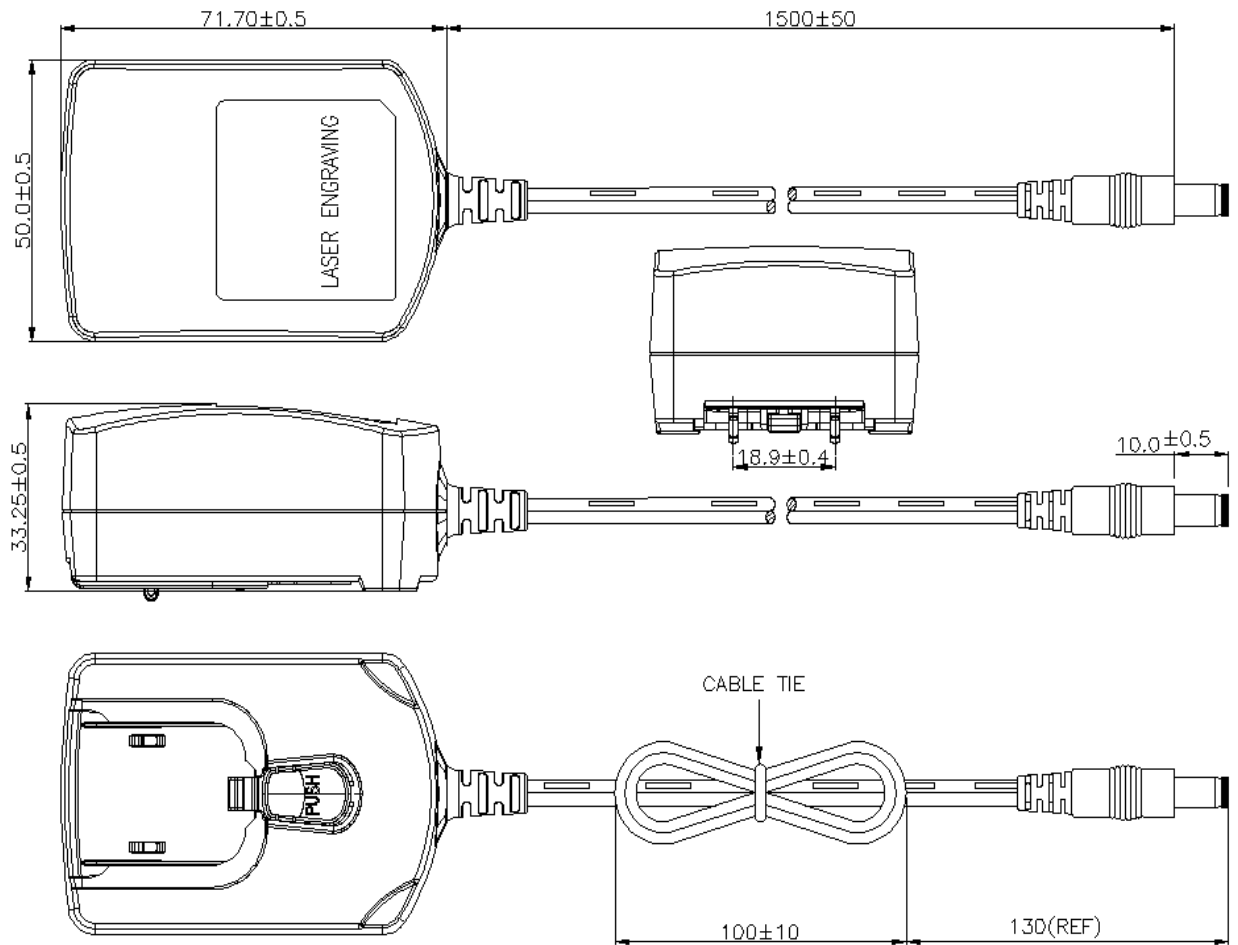
(Sold Separately)

RPA – US  
RPB – Brazil  
RPC – China  
RPE – Europe  
RPH – Korea  
RPI – India  
RPK – UK  
RPN – Argentina  
RPS – Australia  
RPX – IEC320 C8**Notes:**

1. The characteristics defined are at ambient temperature of 25°C unless otherwise specified
2. Efficiency is measured after 30 minutes burn-in

PSAC12R

Dimension Diagram Unit: mm



**Supplier's Declaration of Conformity**  
**47 CFR § 2.1077 Compliance Information**

Phihong USA Corporation  
47800 Fremont Boulevard  
Fremont, CA 94538  
Telephone: (510) 445-0100  
[www.phihong.com](http://www.phihong.com)

NOTE: This model has/The models in this products series have been tested and found to comply with the limits for a Class B digital device, pursuant to part 15 of the FCC Rules. These limits are designed to provide reasonable protection against harmful interference in a residential installation. This equipment generates, uses and can radiate radio frequency energy and, if not installed and used in accordance with the instructions, may cause harmful interference to radio communications. However, there is no guarantee that interference will not occur in a particular installation. If this equipment does cause harmful interference to radio or television reception, which can be determined by turning the equipment off and on, the user is encouraged to try to correct the interference by one or more of the following measures:

- Reorient or relocate the receiving antenna.
- Increase the separation between the equipment and receiver.
- Connect the equipment into an outlet on a circuit different from that to which the receiver is connected.
- Consult the dealer or an experienced radio/TV technician for help.

Changes or modifications to equipment not expressly approved by PHIHONG could void the user's authority to operate the equipment.