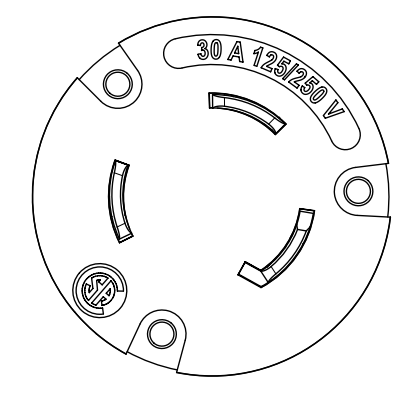
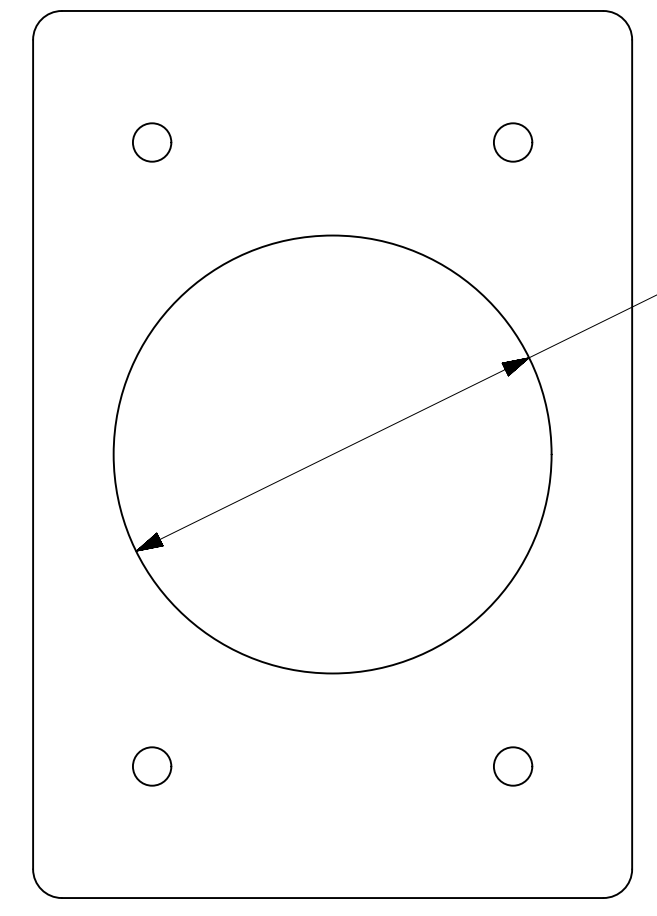
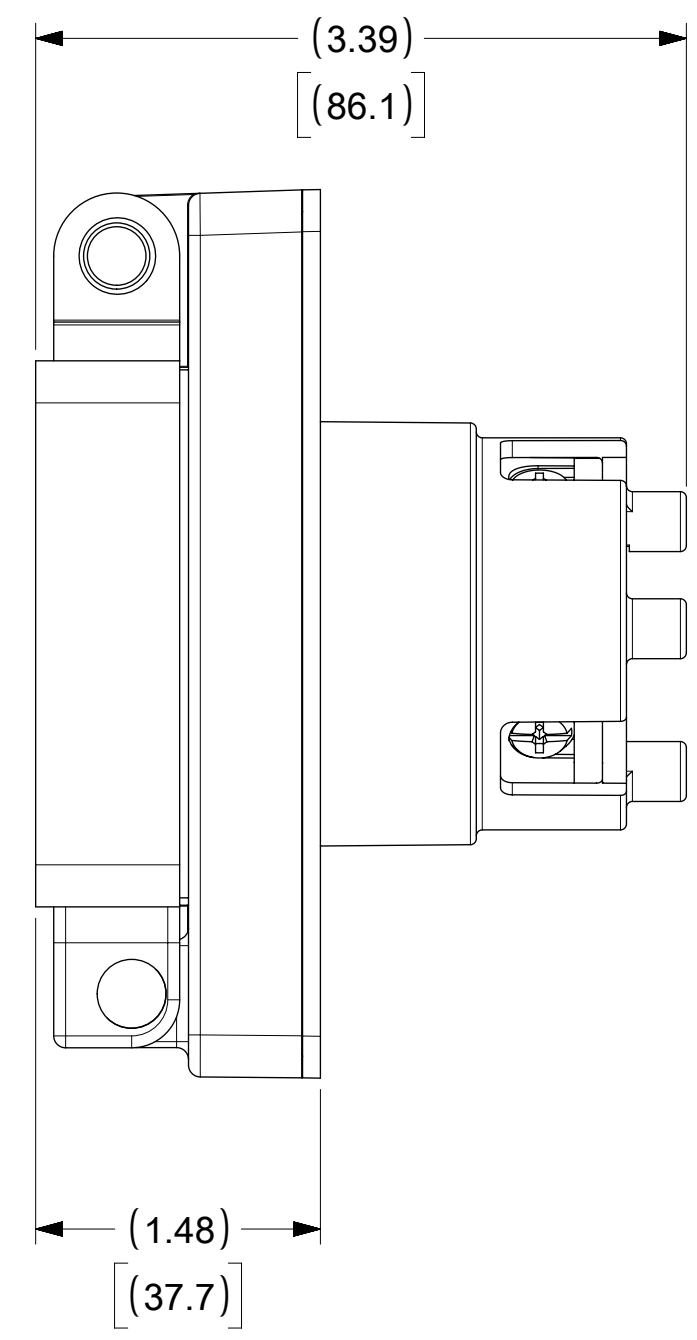
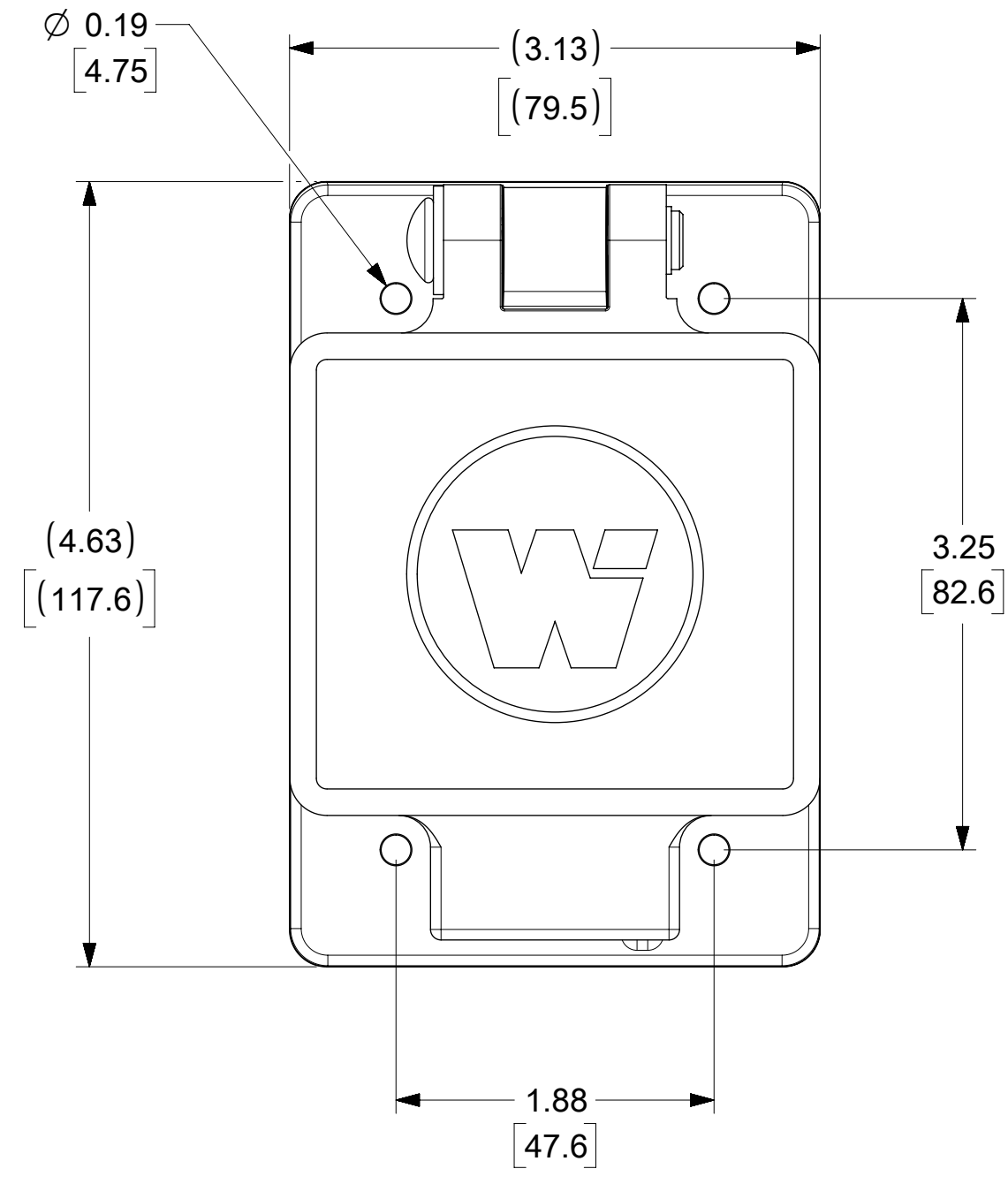
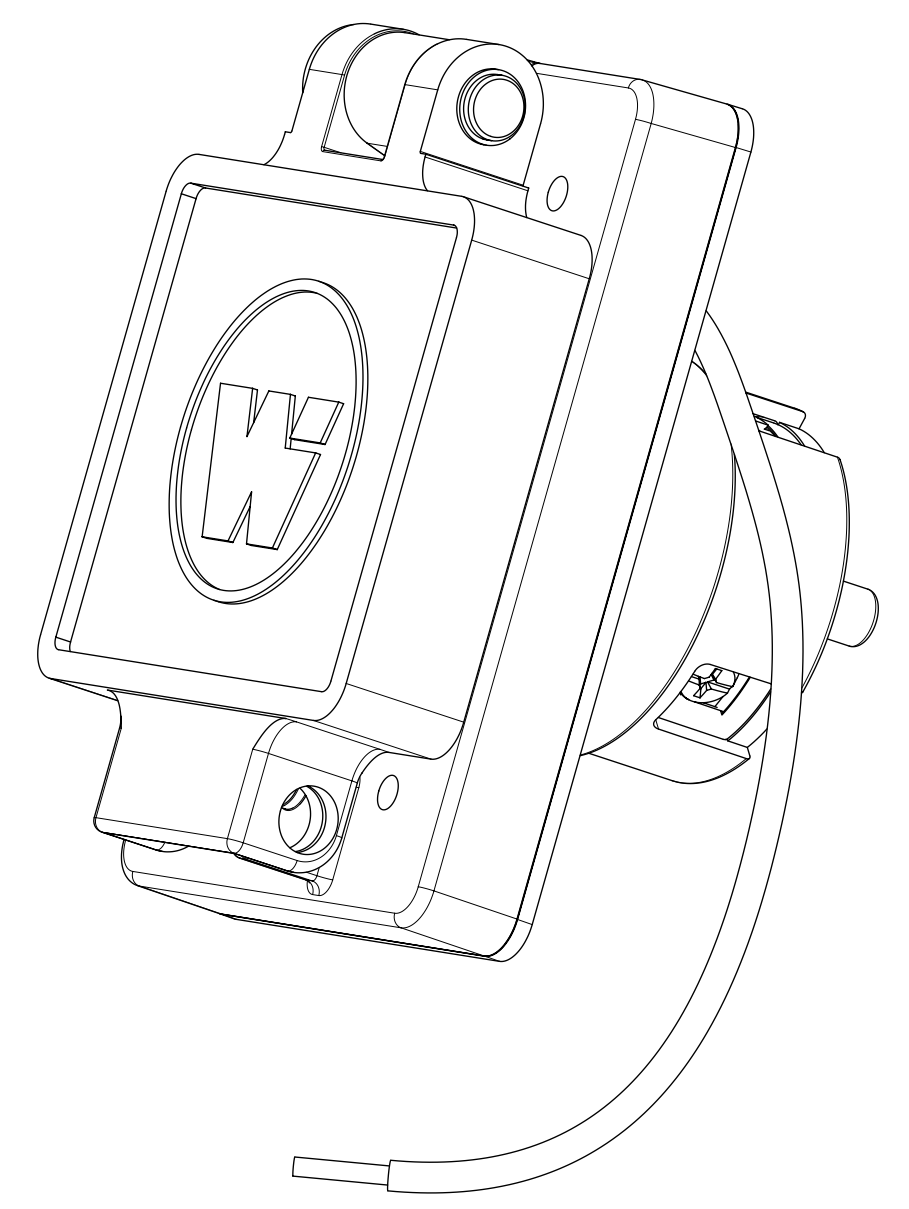


ORDER NO.	WOODHEAD NO.	COLOR
130147-0155	68W08	YELLOW



FACE VIEW



CLEARANCE HOLE (FOR PANEL MOUNT)

DESCRIPTION	MATERIAL	QTY.
BLADES	BRASS, NICKEL PLATED	3
RETAINING SCREWS	STAINLESS STEEL	3
CLAMP AND TERMINAL SCREW ASSY.	BRASS, ZINC PLATED	3
MALE INSERT	NYLON	1
TERMINAL COVER	POLYCARBONATE	1
COVER ASSEMBLY	POLYCARBONATE, STAINLESS STEEL, ALUMINUM	1
GASKET FLIP	NEOPRENE	1
MOTOR BASE MTG ASSY	POLYCARBONATE, STAINLESS STEEL, BRASS	1
SCREW (GROUND WIRE)	STAINLESS STEEL	1
JUMPER WIRE ASSY	COPPER, BRASS (TINNED FINISH)	1

THIS DRAWING CONTAINS INFORMATION THAT IS PROPRIETARY TO MOLEX ELECTRONIC TECHNOLOGIES, LLC AND SHOULD NOT BE USED WITHOUT WRITTEN PERMISSION									
SYMBOLS		DIMENSION UNITS		SCALE		CURRENT REV DESC: MIGRATE TO ECTR/NX			
▽ = 0	INCH	[MM]	NTS			<b>molex</b> WATERTITE MOTOR BASE COVERPLATE 3P3W NON-NEMA			
▽ = 0	GENERAL TOLERANCES (UNLESS SPECIFIED)				EC NO: 613511 DRWN: SRPATIL 2018/12/19 CHK'D: DNGUYEN62 2019/03/12 APPR: HKNEELAND 2019/03/21				
▽ = 0	4 PLACES	±	MM	±	INCH	PRODUCT CUSTOMER DRAWING			
▽ = 0	3 PLACES	±	MM	±	INCH	DOCUMENT NUMBER			
▽ = 0	2 PLACES	±	MM	±	INCH	1301470155			
▽ = 0	1 PLACE	±	MM	±	INCH	DOC TYPE DOC PART REVISION			
▽ = 0	0 PLACES	±	MM	±	INCH	PSD 000 A			
▽ = 0	ANGULAR TOL	±	°			MATERIAL NUMBER CUSTOMER SHEET NUMBER			
▽ = 0	DRAFT WHERE APPLICABLE MUST REMAIN WITHIN DIMENSIONS		THIRD ANGLE PROJECTION		DRAWING SERIES		SEE TABLE GENERAL MARKET 1 OF 1		
▽ = 0			C-SIZE		130147				