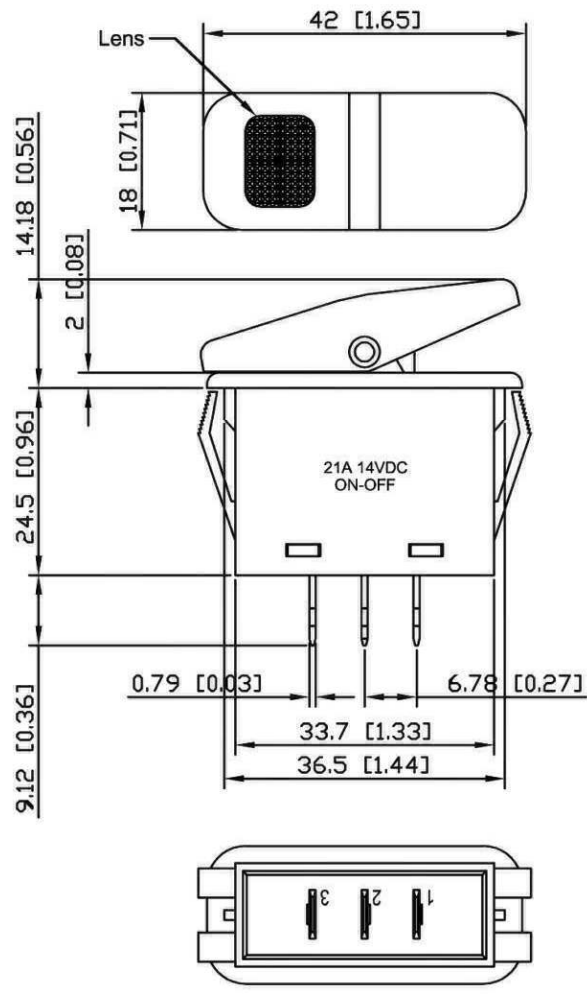
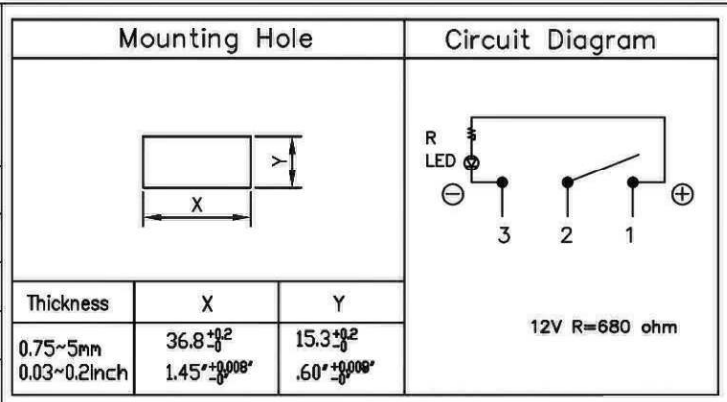
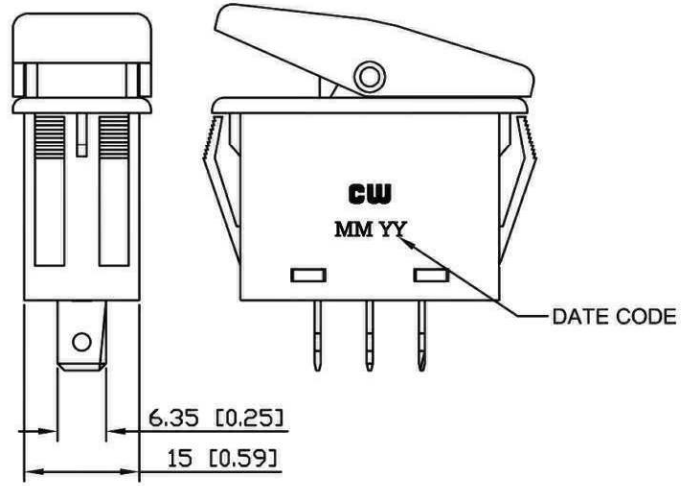


THIS INFORMATION IS CONFIDENTIAL AND PROPRIETARY TO CW INDUSTRIES INCORPORATED AND ITS AFFILIATES. IT MAY NOT BE DISCLOSED TO ANYONE, OTHER THAN CW INDUSTRIES PERSONNEL, WITHOUT WRITTEN AUTHORIZATION FROM CW INDUSTRIES INCORPORATED, SOUTHAMPTON, PENNSYLVANIA USA.

Rating	21A 14VDC
Contact Resistance	50m ohm Max.
Insulation Resistance	DC 500V 100M ohm Min.
Dielectric Strength	AC 1500V 1 minute
Operation Temp.	- 20° C ~ 85° C
Function	3P SPST ON - OFF Lamp Dependent
Lamp Type	LED 12VDC 14V w/resistor



Material:
 Frame: Black, Nylon# 66
 Actuator: Black, Nylon#66+33%GF
 Lens: Red, PC
 Printed: None
 Water proof and dust proof to fit IP-56



RoHS Compliant

2 | Added Dependent to function & Lamp Type. 12/08/11.
 1 | Rotated button and updated views & Circuit diagram. 1/13/11.

CW INDUSTRIES
 Southampton, Pa. 18966
 Tel 215.355.7080/www.cwind.com

Date Drawn: 12/08/10

Rev. 2

Unit: mm

Checked By: *G. Gold*

Title: **ROCKER SWITCH**

CW P/N: **GRB258B01BR1**