

NOTES:

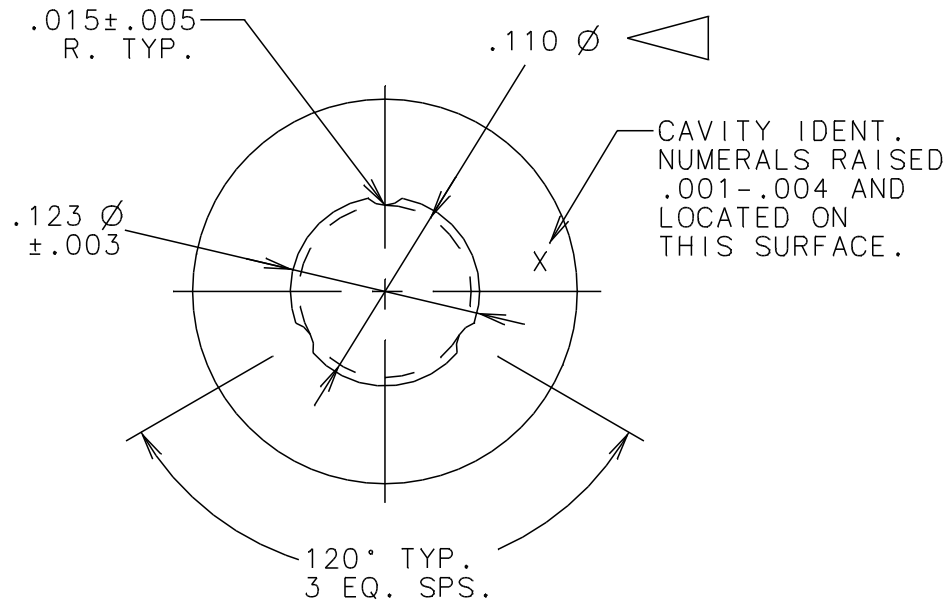
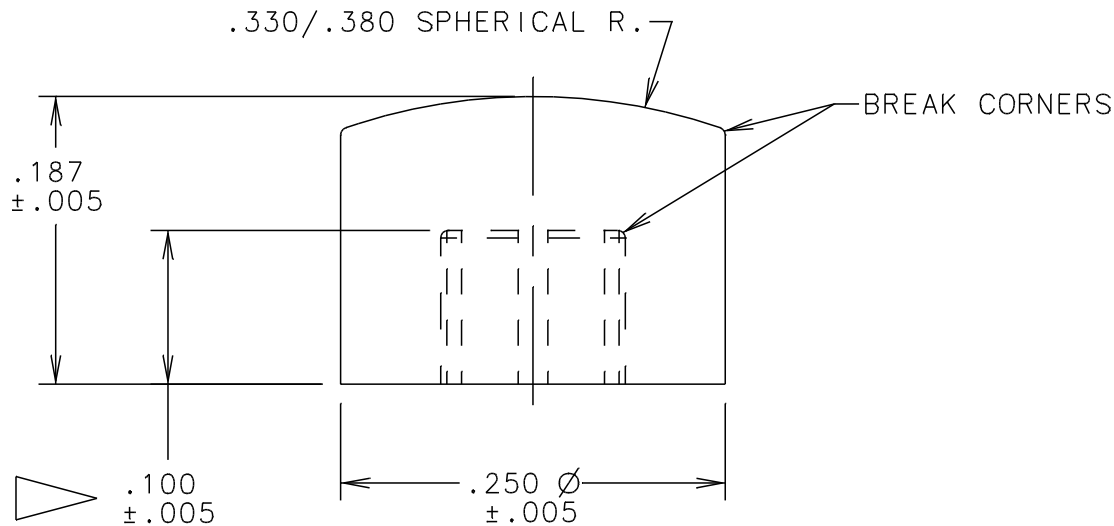
1. THE .110 DIA. TO BE CONCENTRIC WITH THE .250 DIA. WITHIN .006 T.I.R.
2. VENT AND GATE BREAKOFF NOT TO EXCEED MAX. TOLERANCE OF SURFACE IS LOCATED ON.
3. ALL UNDIMENSIONED CORNERS TO BE .000 TO .005 R.
4. SEE DRAWING SMB1334-X FOR BAKING SPECIFICATIONS.

ENG110C

DWG. NO. 39B4001-X

PART NUMBER	COLOR	MATERIAL	REMARKS
39B4001-1	BLACK	SMB1334-1	SEE NOTE 4
39B4001-2	WHITE	SMB1312-3	

ALL REVISIONS TO THIS DRAWING MUST BE MADE ON THE CAD SYSTEM



ISSUE	APP/DATE	DESCRIPTION
C	CMJ/CMJ 12-15-08	.110 Ø WAS .112 Ø. ECN373865 GAD 12-15-08
B	MJS/DWP 3-1-99	ADDED CHART AND -2 PART. ECN#327330 DWP 3-1-99
A	DWS/DWP 3-10-97	ORIGINAL ECN#318655 DWP 3-10-97

REVISIONS



GRAYHILL, INC.  
561 HILLGROVE AVE.  
LA GRANGE, IL 60525  
PHONE (708) 354-1040

UNLESS OTHERWISE SPECIFIED TOLERANCES AND DIMENSIONS ARE IN INCHES  
 LINEAR ± .010 DIAMETERS ± .002  
 ANGULAR ± 1/2°  
 LIMITS APPLY BEFORE FINISHING  
 DO NOT SCALE THIS PRINT

CRITICAL CHARACTERISTIC FLAGS PER GRAYHILL SPEC.SOP2338

- CRITICAL CHARACTERISTIC FLAG
- Cpk REQUIRED
- S.P.C. FLAG (CONTROL CHART REQ'D ON FEATURE SPECIFIED)

FINISH	-----	APPROVED DATE	DWP 3-10-97
MATERIAL	SEE CHART	CHECKED DATE	DWS 3-10-97
NAME	BUTTON CAP	DRAWN DATE	DWP 3-10-97

CADAM DRAWING  
39B4001-X\_C\_001

A	DWG. NO.	ISSUE
SIZE	39B4001-X	C
SCALE	8:1	SHEET 1 OF 1