

3.3 V, HCMOS/ TTL, J LEADED, PLASTIC MOLDED SURFACE MOUNT CRYSTAL CLOCK OSCILLATOR

ASML SERIES

Pb in high temperature solder
(exempt per RoHS 2002/95/EC Annex (7)).

RoHS
Compliant



14.0 x 8.95 x 4.7 mm

The 14x9.8mm plastic package oscillator is not recommended for new designs. Please consider our reduced size ceramic or plastic molded SMD packages. Recommended series include ASL, ASV, ASVM, ASFL, ASFLM, ASE, ASEM . For 5.0V please use ASL series.

FEATURES:

- Industry standard J-Leaded terminals.
- Plastic molded SMD, Reflow capable.
- Low current consumption.
- Tristate Enable/Disable.
- HCMOS output.
- 3.3Vdc operation.
- Extended temperature -40°C to +85°C option.

APPLICATIONS:

- Provide clock signals for microprocessors and digital circuits.
- Communication equipment, AV and OA equipment

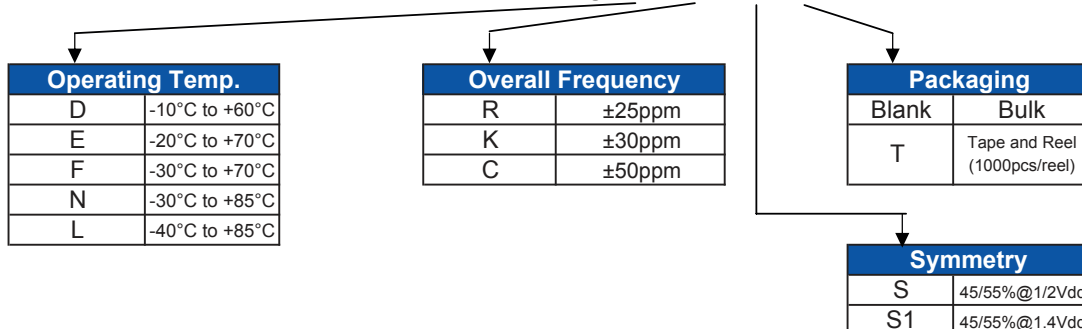
STANDARD SPECIFICATIONS:

PARAMETERS	
ABRACON P/N:	ASML Series
Frequency range:	1 ~ 106.25 MHz
Operating temperature:	0° C to + 70° C (see options)
Storage temperature:	- 55° C to + 125° C
Overall frequency stability:	± 100 ppm max. (see options)
Supply voltage (Vdd):	3.3Vdc ± 10%
Input current:	15 mA max. for F ≤ 20 MHz 35 mA max. for F ≤ 70 MHz 60 mA max. for F ≤ 106.25 MHz
Symmetry:	40/60 % max. at 1/2Vdd CMOS (see option)
Rise and fall time (Tr/Tf):	5 ns max.
Output load:	10 TTL or 15 pFmax.
Output voltage:	VOH = 0.9*Vdd min. VOL = 0.1*Vdd max.
Tri-State function:	"1" (VIH ≥ 2.2 V) or open: Oscillation "0" (VIL < 0.8 V) : Hi Z
Start-up time:	10ms max.
Aging (first year):	±5ppm/year max.
Period jitter (1 sigma):	25ps max.

OPTIONS AND PART IDENTIFICATION

(Left blank if standard)

ASML - Frequency - □ - □ - □ - □



3.3 V, HCMOS/ TTL, J LEADED, PLASTIC MOLDED SURFACE MOUNT CRYSTAL CLOCK OSCILLATOR

ASML SERIES

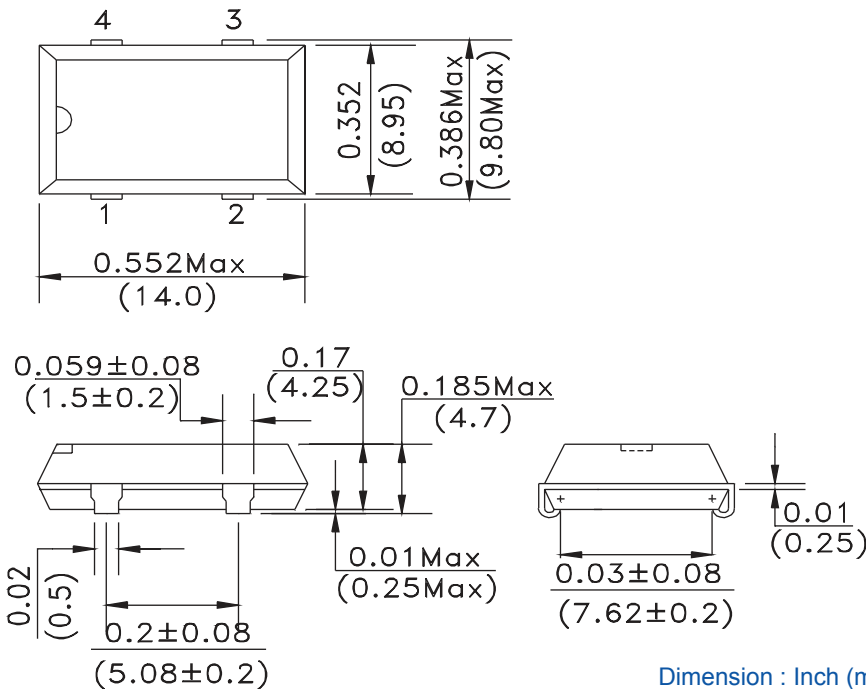
Pb in high temperature solder
(exempt per RoHS 2002/95/EC Annex (7)).

RoHS
Compliant

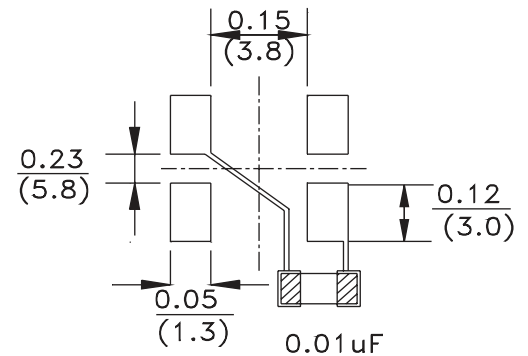


14.0 x 8.95 x 4.7 mm

OUTLINE DRAWING:



Recommended land pattern

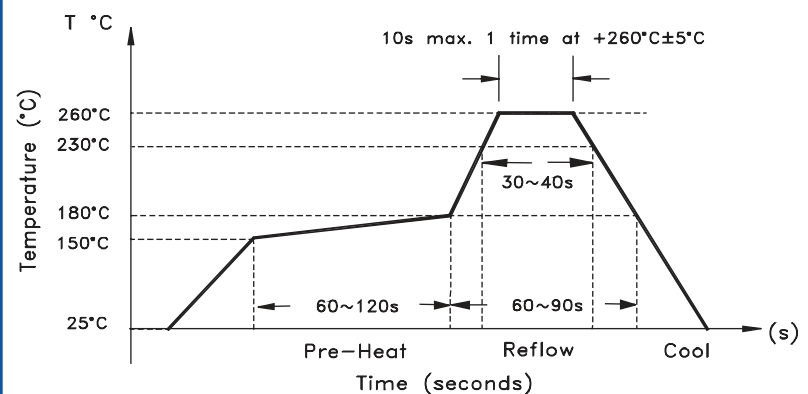
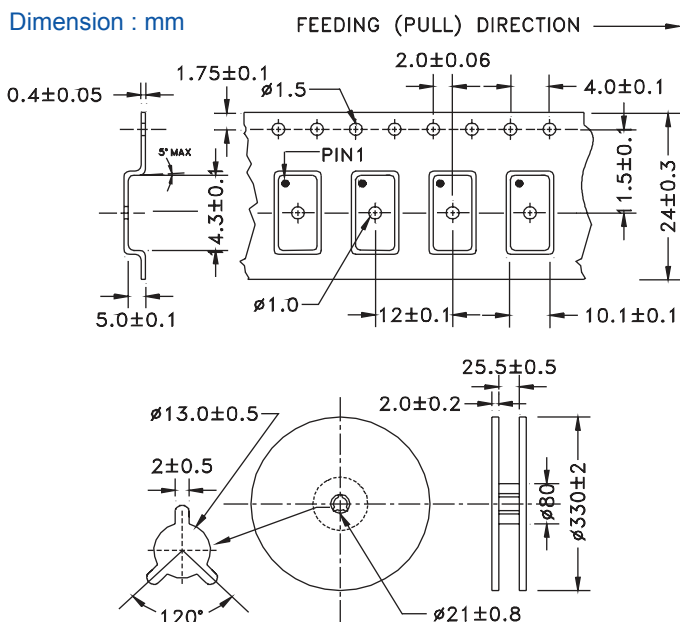


PIN	FUNCTION
1	Tristate
2	GND/Case
3	Output
4	Vdd

Note: Recommend using an approximately 0.01uF bypass capacitor between pin 2 and 4.

TAPE AND REEL: T= tape and reel (1,000pcs/reel)

REFLOW PROFILE:



ATTENTION: Abracon Corporation's products are COTS – Commercial-Off-The-Shelf products; suitable for Commercial, Industrial and, where designated, Automotive Applications. Abracon's products are not specifically designed for Military, Aviation, Aerospace, Life-dependant Medical applications or any application requiring high reliability where component failure could result in loss of life and/or property. For applications requiring high reliability and/or presenting an extreme operating environment, written consent and authorization from Abracon Corporation is required. Please contact Abracon Corporation for more information.

ABRACON IS
ISO9001:2008
CERTIFIED



Visit www.abracon.com for Terms & Conditions of Sale **Revised: 07.26.10**
30332 Esperanza, Rancho Santa Margarita, California 92688
tel 949-546-8000 | fax 949-546-8001 | www.abracon.com