



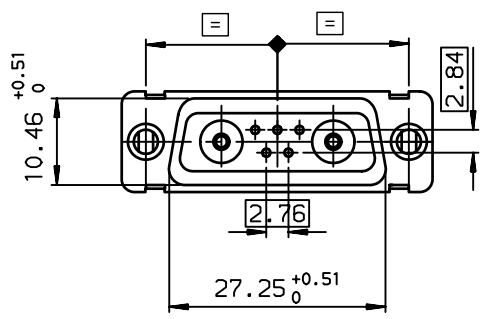
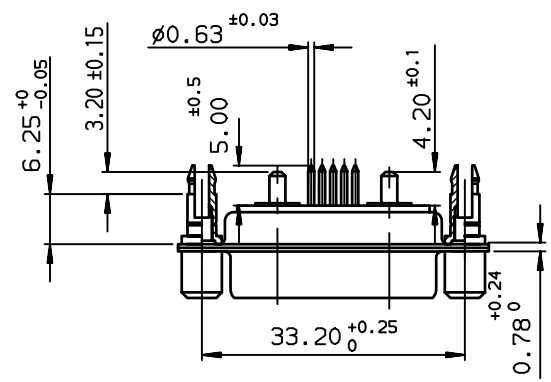
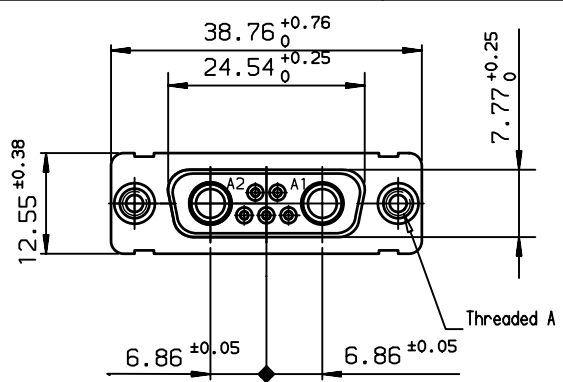
Copyright FCI.

D

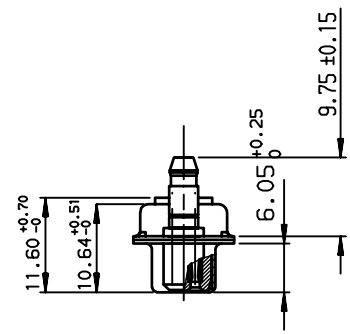
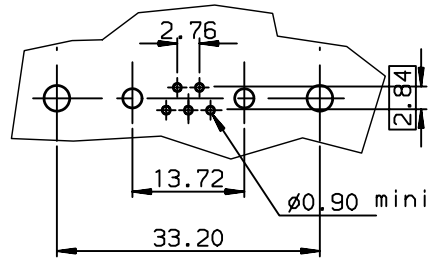
A

B

C



LAYOUT DIMENSIONS (after plating)
CONNECTOR SIDE VIEW



TIN LEAD PART NUMBER

DAV7W2S300G30	UNC 4.40
DAI7W2S300G30	M3
PART NUMBER	Threaded A

LEAD FREE PART NUMBER

DAV7W2S300G30LF	UNC 4.40
DAI7W2S300G30LF	M3
PART NUMBER	Threaded A

GENERAL CHARACTERISTICS AND ROHS INFORMATIONS:
SEE DRAWING C01-8639-0001

European Views

www.fciconnect.com		surface ISO 1302 ✓	tolerance std ISO 406 ISO 1101	projection mm	size A3	Scale 1.5
TOLERANCES UNLESS OTHERWISE SPECIFIED				ANGULAR	0.X ±0.1	ECN L506-0095
				LINEAR	0.XX ±0.1	Spec ref -
				0.XX' ±2'	0.XXX ±0.1	
Dr	JARRY	2001/01/05	Product family D-SUB			
Eng	PESSON	2001/01/05	Spec ref -			
Chr	LEGARE	2001/01/05				
Appr	LEGARE	2001/01/05				
FCI		SOCKET CONNECTOR WITH TWO POWERS CONTACTS			dwg no C01-8639-1802	Rev. D
catalog no		-			CUSTOMER	sheet 1 of 1

rev	ecn no	dr	date
B	-	DEB	2003/10/01
C	L505-001	MPE	2005/03/09
D	L506-0095	LGO	2006/06/27
-	-	-	-
-	-	-	-
-	-	-	-
-	-	-	-

A

B

C

D