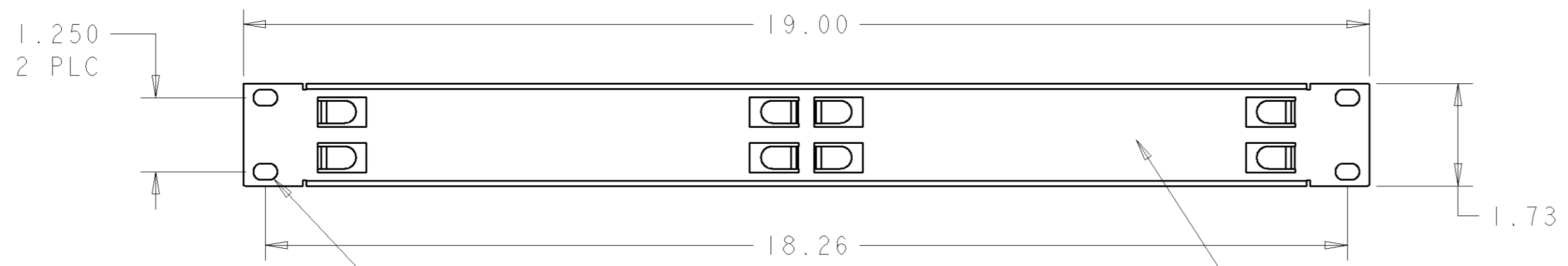
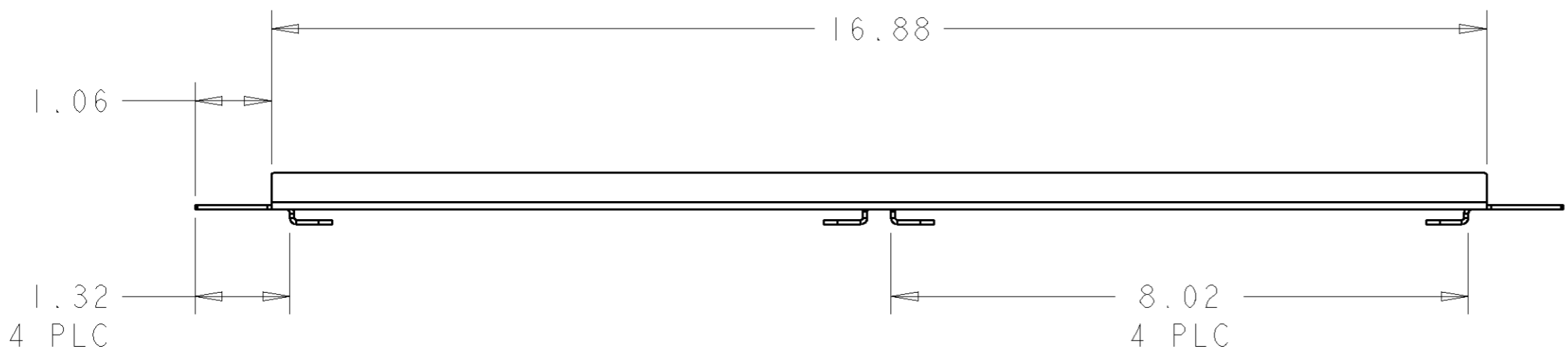


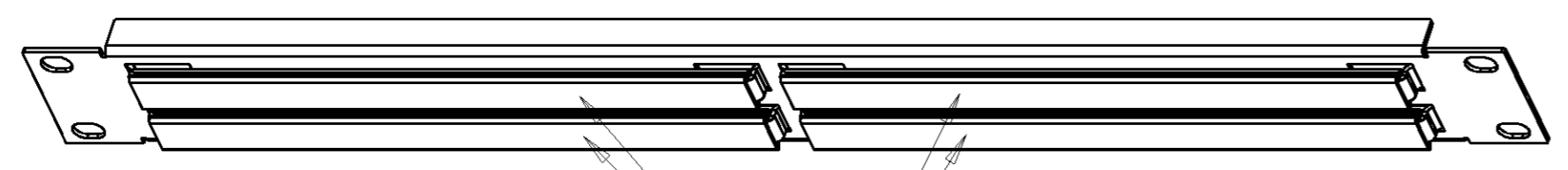
THIS DRAWING IS UNPUBLISHED. RELEASED FOR PUBLICATION 20
 © COPYRIGHT 20 BY TYCO ELECTRONICS CORPORATION. ALL RIGHTS RESERVED.

LOC	DIST	REVISIONS					
HP	16	P	LTR	DESCRIPTION	DATE	DWN	APVD
			A	PER NSD-04-134	09NOV2004	WS	AK



.278 x .406 SLOT
4 PLC

PANEL MATERIAL: .06 THK. STEEL
FINISH: BLACK POWDER COAT



LABEL HOLDER MATERIAL: PVC
FINISH: CLEAR
QUANTITY: 4

LABEL: SOLD SEPARATELY
P/N 1375354-X

⚠ (4) #12-24 x .50 PHILLIPS PAN HEAD SCREWS BAGGED AND SHIPPED WITH UNIT.

1777040-1
PART No.

<small>THIS DRAWING IS A CONTROLLED DOCUMENT FOR TYCO ELECTRONICS CORPORATION. IT IS SUBJECT TO CHANGE AND THE CONTROLLING ENGINEERING ORGANIZATION SHOULD BE CONTACTED FOR THE LATEST REVISION.</small>		DWN: WJ SOURBEER 01OCT2004 CHK: J HOFFER 01OCT2004 APVD: B BARRY 01OCT2004	tyco Electronics Tyco Electronics Harrisburg, PA 17105-3608
DIMENSIONS: INCHES 	TOLERANCES UNLESS OTHERWISE SPECIFIED: 0 PLC ± 1 PLC ±0.1 2 PLC ±0.02 3 PLC ±0.005 4 PLC ±0.0005 ANGLES ± FINISH	PRODUCT SPEC: - APPLICATION SPEC: - WEIGHT: -	NAME: PANEL, STRAIGHT, 1U, LABEL HOLDER SIZE: A2 CAGE CODE: 00779 DRAWING NO: 1777040 RESTRICTED TO: -
MATERIAL: -		CUSTOMER DRAWING	
		SCALE: 1:2	SHEET 1 OF 1 REV A