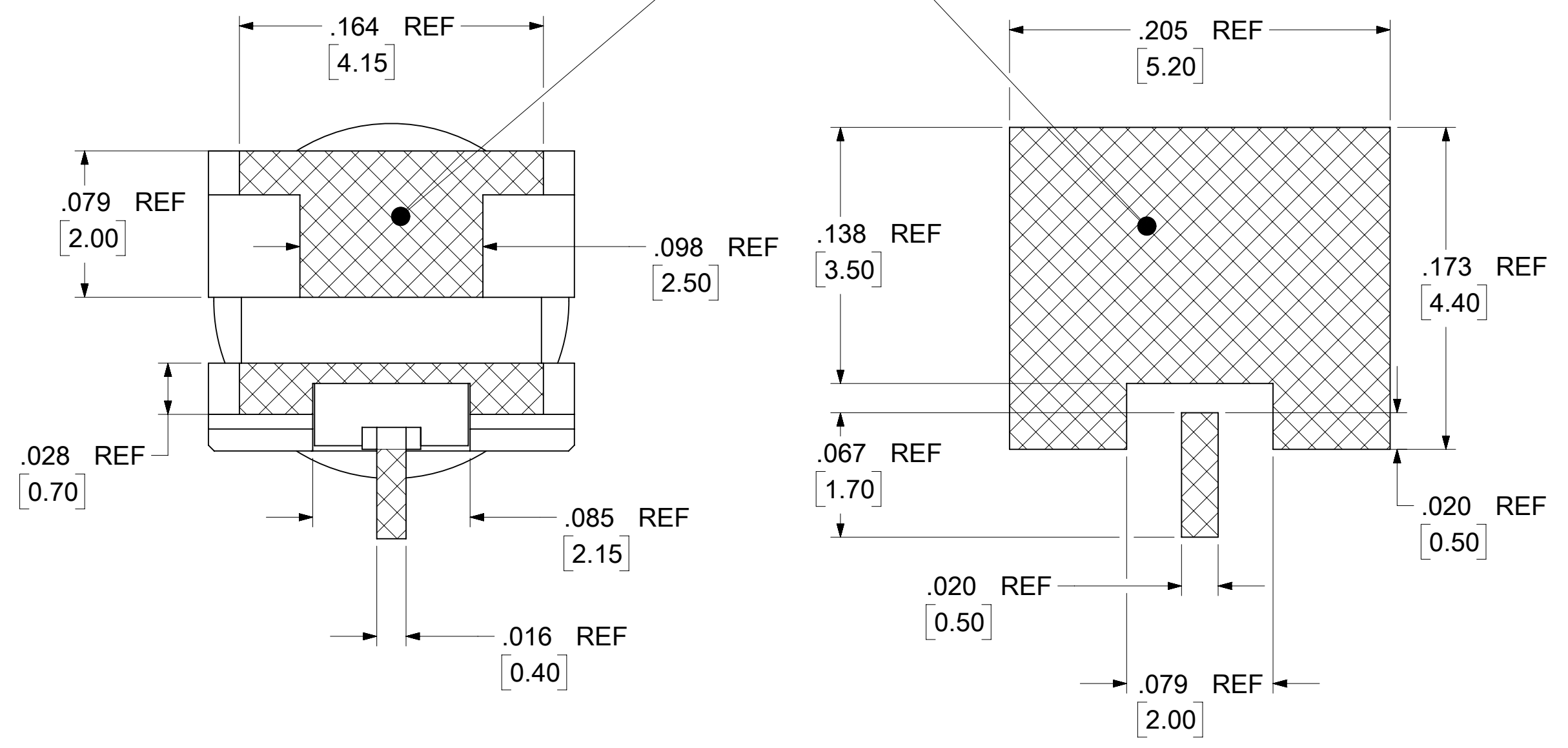
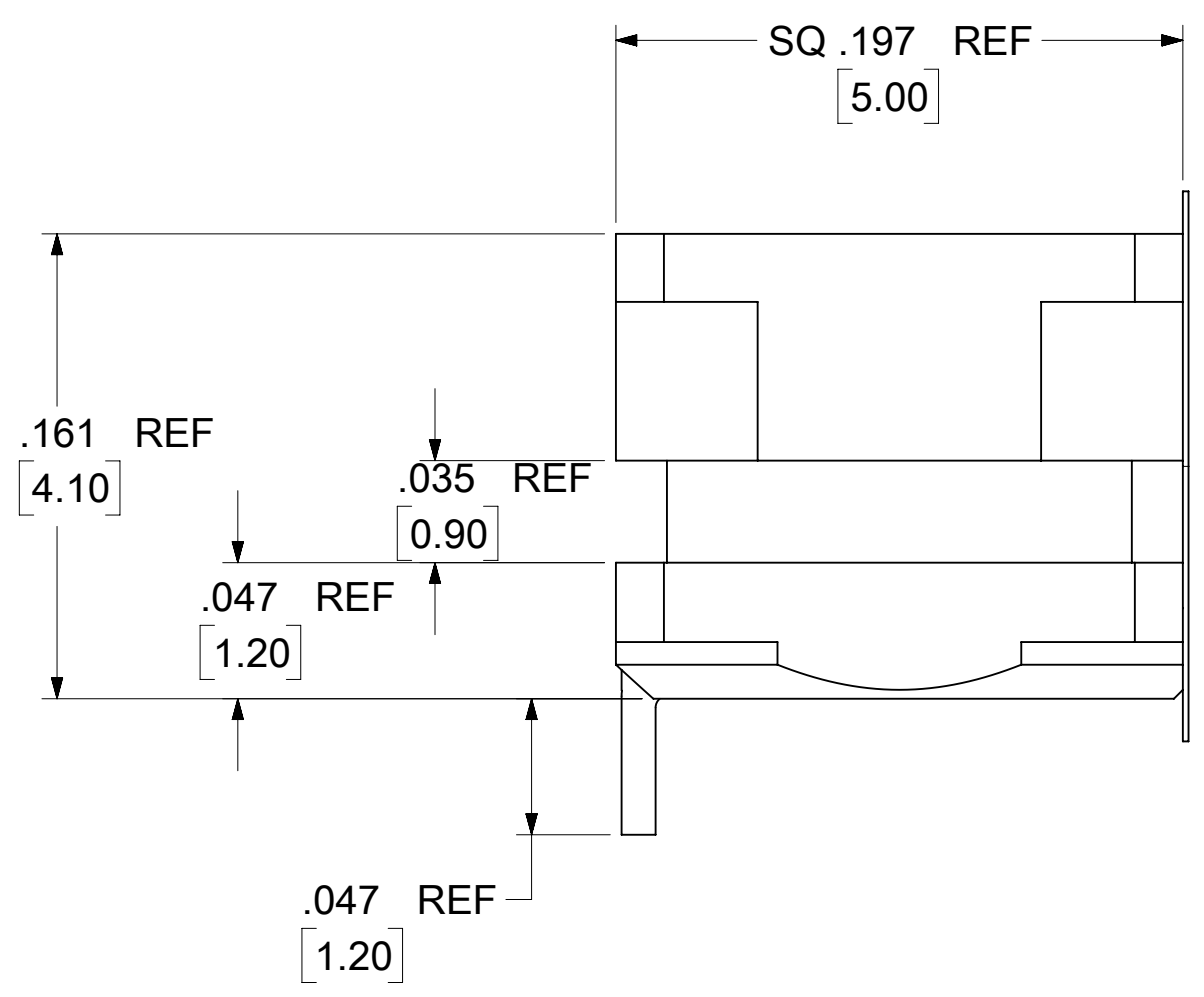
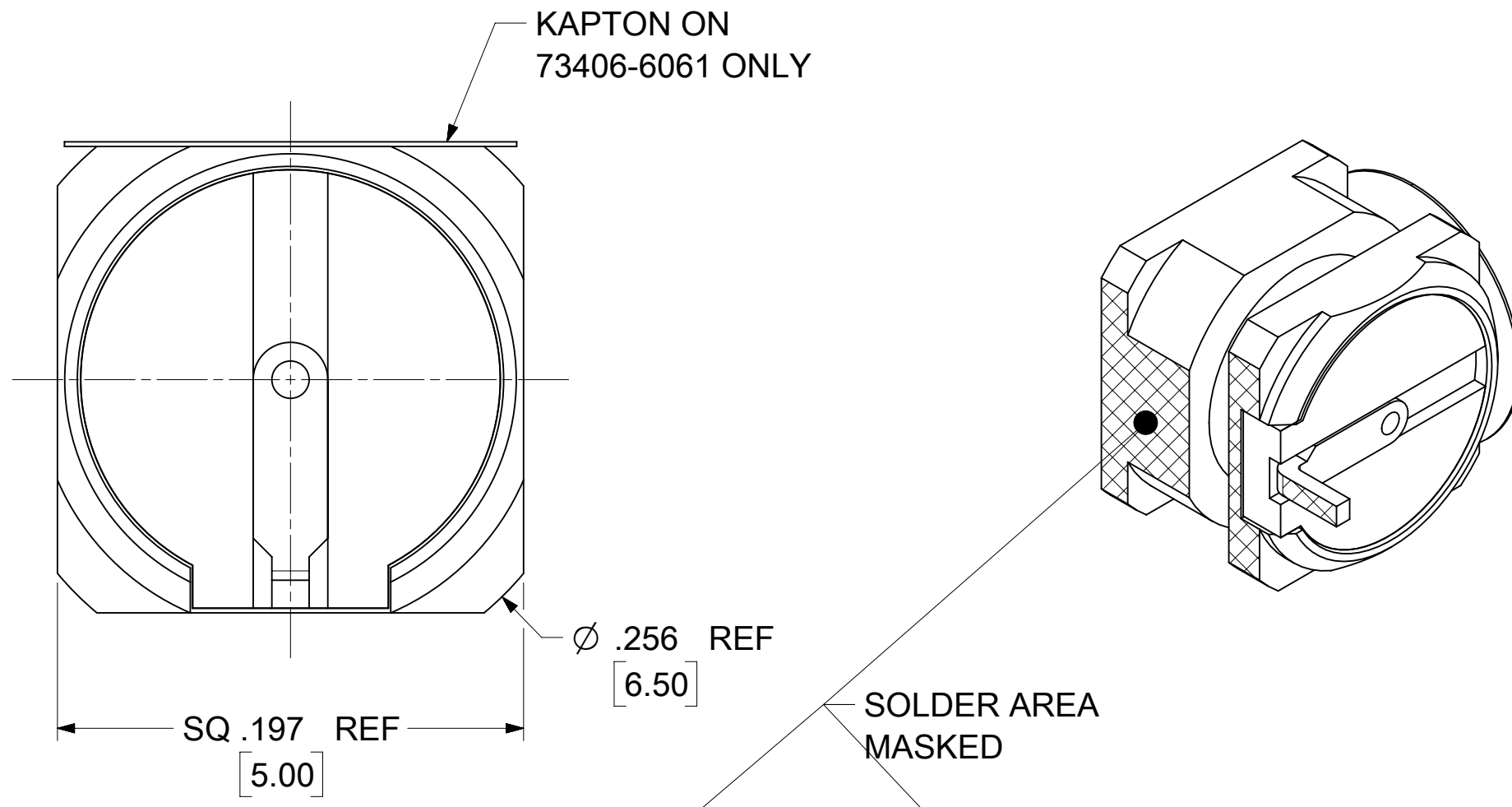


MATERIALS AND FINISHES:

BODY, CENTER CONTACT: BRASS
PLATED GOLD

INSULATOR: LCP

KAPTON: POLYIMIDE FILM
(ON -6061 ONLY)

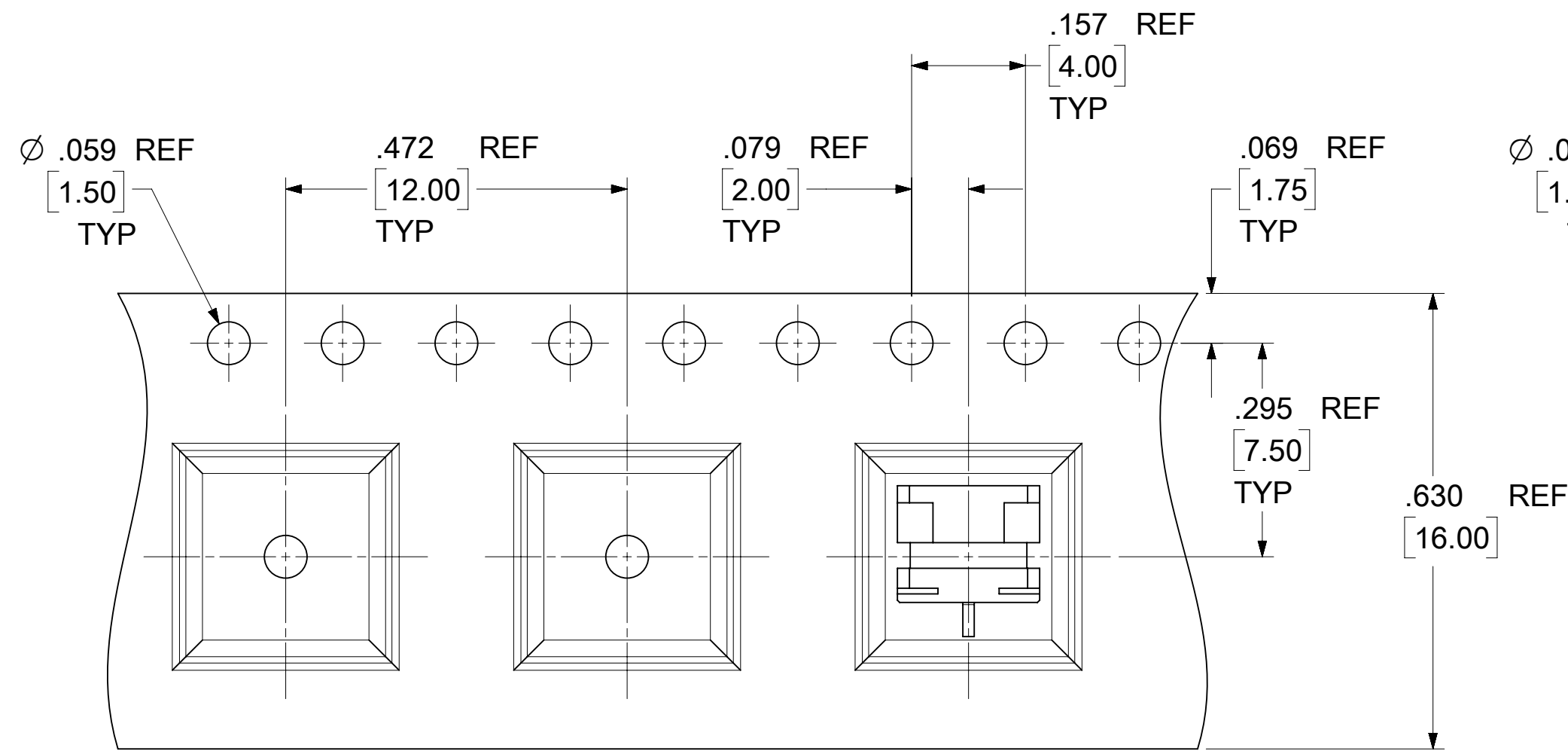


| | | |
|------------|------------------------------------|--------------|
| 73406-6062 | 73406-6060 ONE PER BAG | 895420470 |
| 73406-6061 | 73406-6060 TAPE & REEL WITH KAPTON | SHEET 2 & 3 |
| 73406-6060 | 73406-6060 TAPE & REEL | |
| PART NO. | DESCRIPTION | PACKING SPEC |

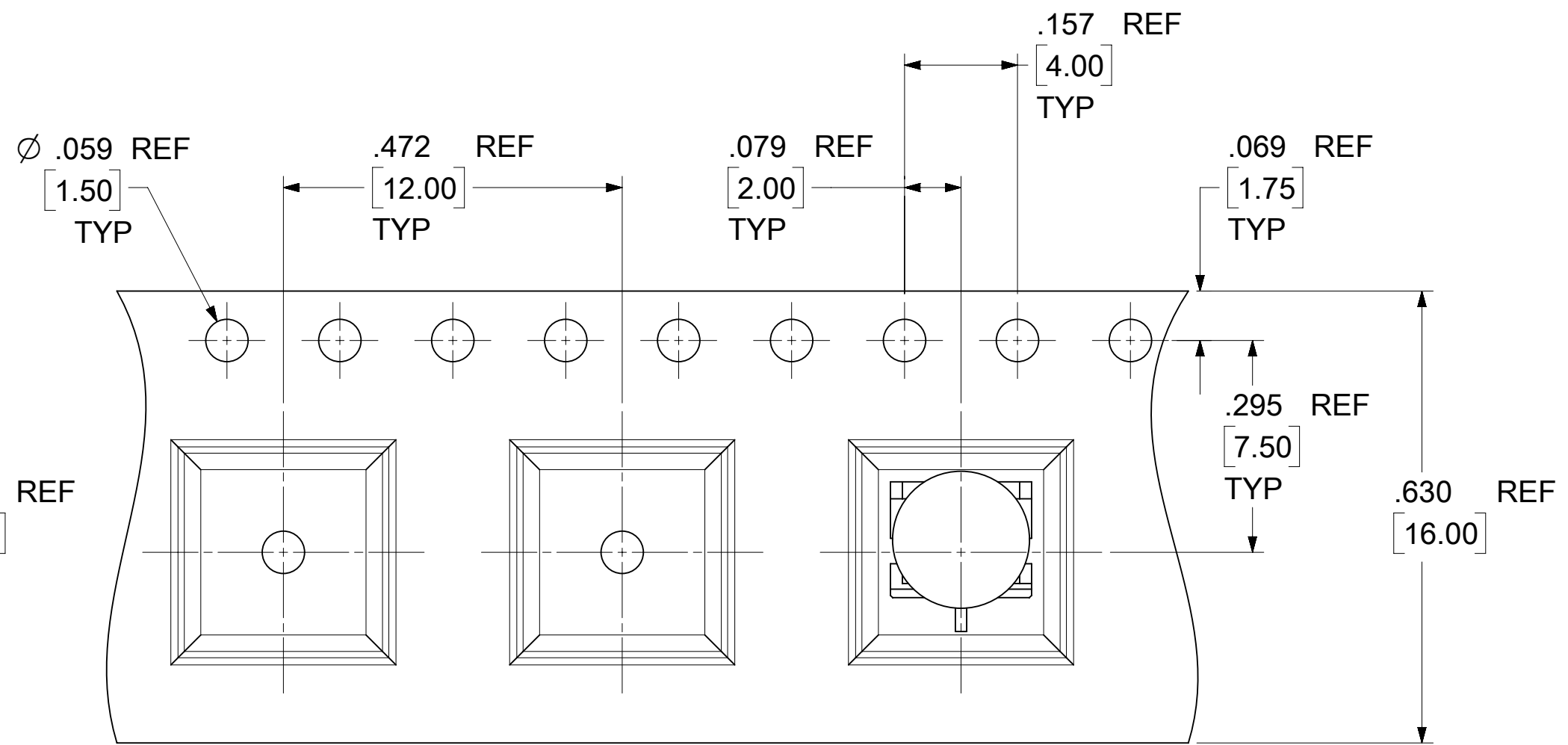
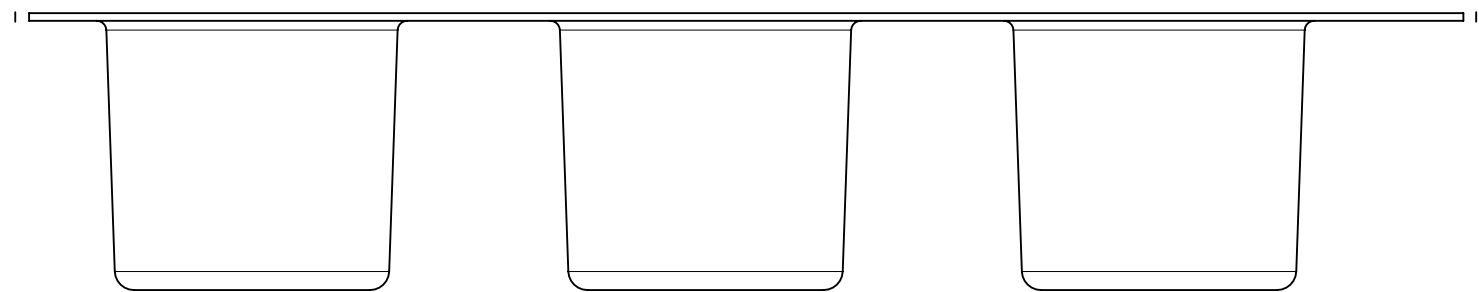
| | |
|--------------------------|-------------|
| MIL-STD-348A, FIG. 326.3 | INTERFACE |
| SPECIFICATION | DESCRIPTION |

THIS DRAWING CONTAINS INFORMATION THAT IS PROPRIETARY TO MOLEX ELECTRONIC TECHNOLOGIES, LLC AND SHOULD NOT BE USED WITHOUT WRITTEN PERMISSION

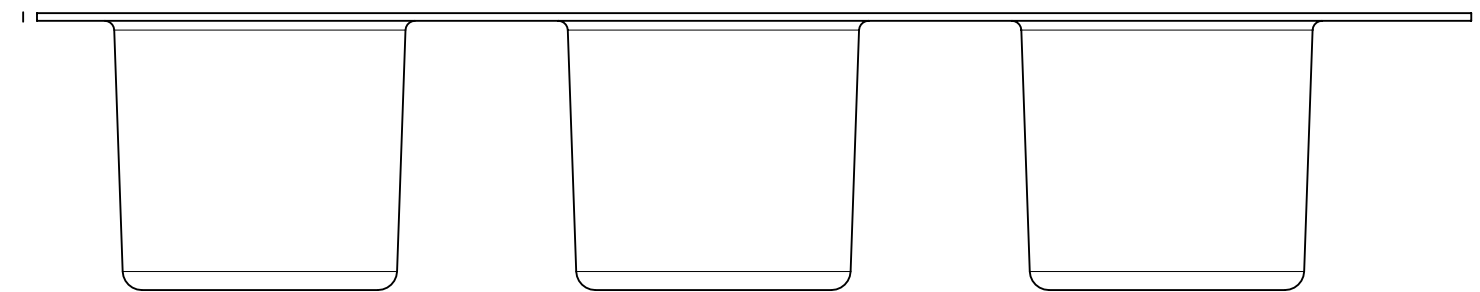
| | | | | | |
|--|------------------------|---|--------------------------|------------------------------|----------------------------|
| DIMENSION UNITS INCH/MM | SCALE NTS | CURRENT REV DESC: ADD 73406-6062 PER EWR #15321-B | molex | | |
| GENERAL TOLERANCES (UNLESS SPECIFIED) | | EC NO: 718859 | | | |
| ANGULAR TOL | ± 2.0° | DRWN: RYEH | PRODUCT CUSTOMER DRAWING | | |
| 4 PLACES | ± | CHK'D: YCHENG | DOCUMENT NUMBER | | |
| 3 PLACES | ± | APPR: YCHENG | SD-73406-606 | | |
| 2 PLACES | ± | INITIAL REVISION: | DOC TYPE | DOC PART | REVISION |
| 1 PLACE | ± | DRWN: JLEE02 | PSD | 001 | A1 |
| 0 PLACES | ± | APPR: JWIENER | SHEET NUMBER | | |
| DRAFT WHERE APPLICABLE MUST REMAIN WITHIN DIMENSIONS | THIRD ANGLE PROJECTION | DRAWING C-SIZE | SERIES 73406 | MATERIAL NUMBER SEE TABLE | CUSTOMER GENERAL MARKET |



VIEWS FOR 73406-6060



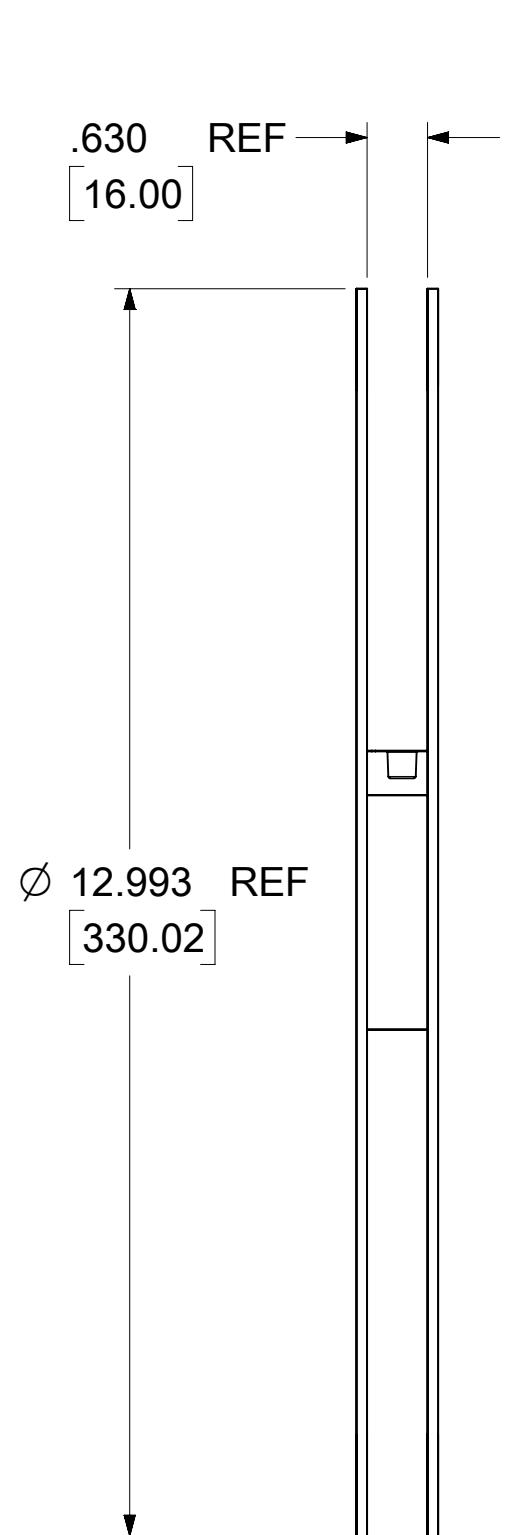
VIEWS FOR 73406-6061



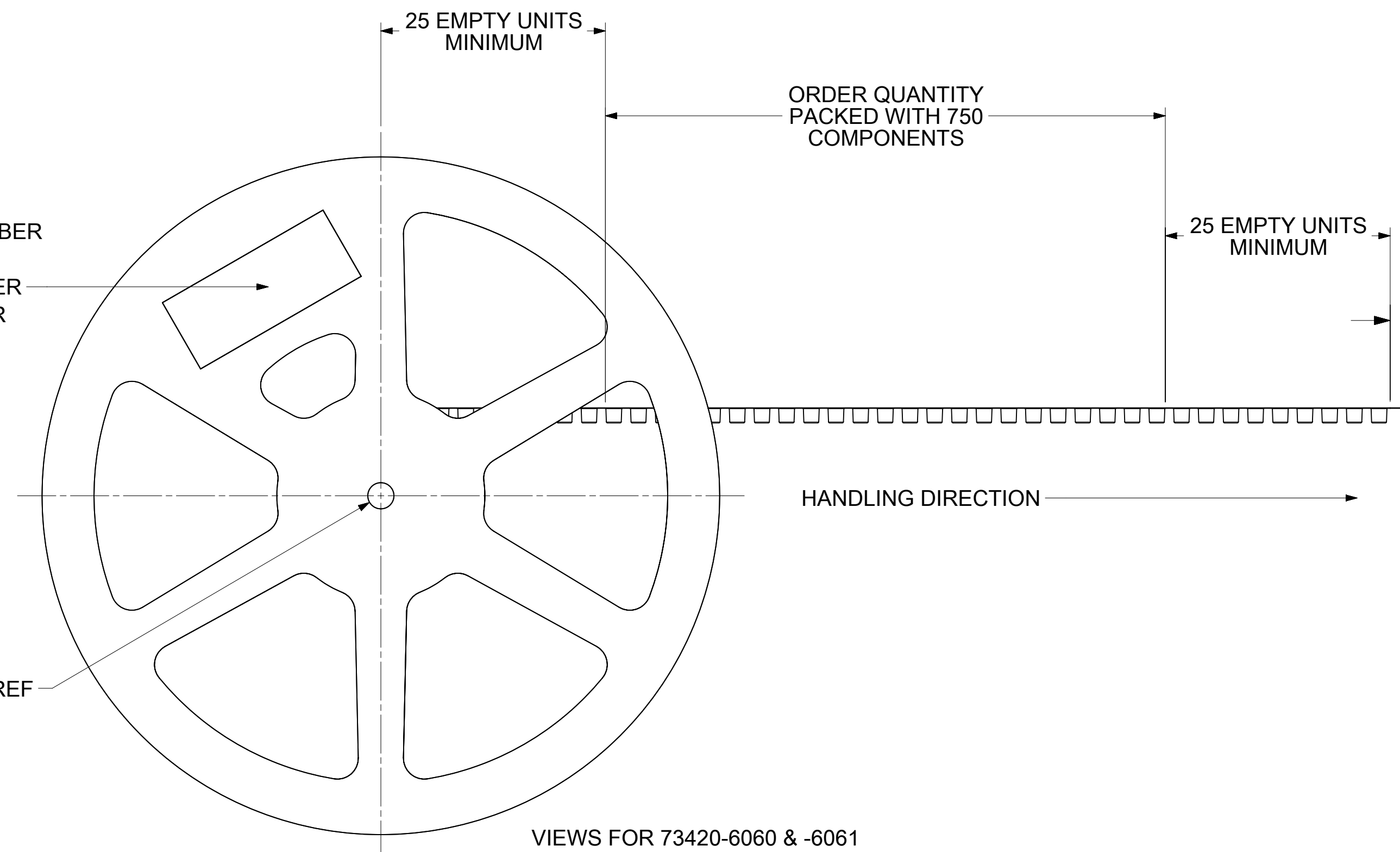
THIS DRAWING CONTAINS INFORMATION THAT IS PROPRIETARY TO MOLEX ELECTRONIC TECHNOLOGIES, LLC AND SHOULD NOT BE USED WITHOUT WRITTEN PERMISSION

| | | | | | | | | | |
|--|--|---------------------|--|--|--------------------------|--|-----------|--|--|
| DIMENSION UNITS INCH/MM | | SCALE NTS | CURRENT REV DESC: ADD 73406-6062 PER EWR #15321-B | | molex | | | | |
| GENERAL TOLERANCES (UNLESS SPECIFIED) | | | EC NO: 718859 | | | | | | SMP PLUG, R/A PCB LIMITED DETENT,SMP-P/PCB EWR-3795 |
| ANGULAR TOL ± 2.0° | | | DRWN: RYEH 2022/08/19 | | PRODUCT CUSTOMER DRAWING | | | | |
| 4 PLACES ± | | | CHK'D: YCHENG 2022/08/25 | | DOCUMENT NUMBER | | | | |
| 3 PLACES ± | | | APPR: YCHENG 2022/08/25 | | SD-73406-606 | | | | |
| 2 PLACES ± | | | INITIAL REVISION: | | DOC TYPE | | DOC PART | | REVISION |
| 1 PLACE ± | | | DRWN: JLEE02 2008/10/27 | | PSD | | 001 | | A1 |
| 0 PLACES ± | | | APPR: JWIENER 2008/10/27 | | MATERIAL NUMBER | | CUSTOMER | | SHEET NUMBER |
| DRAFT WHERE APPLICABLE MUST REMAIN WITHIN DIMENSIONS | | | THIRD ANGLE PROJECTION | | DRAWING | | SERIES | | MATERIAL NUMBER |
| | | | C-SIZE | | 73406 | | SEE TABLE | | GENERAL MARKET |
| | | | | | | | | | 2 OF 3 |

| | | | | |
|-----------------|----|--------------|------------|----------|
| DOCUMENT STATUS | P1 | RELEASE DATE | 2022/08/25 | 07:05:57 |
|-----------------|----|--------------|------------|----------|

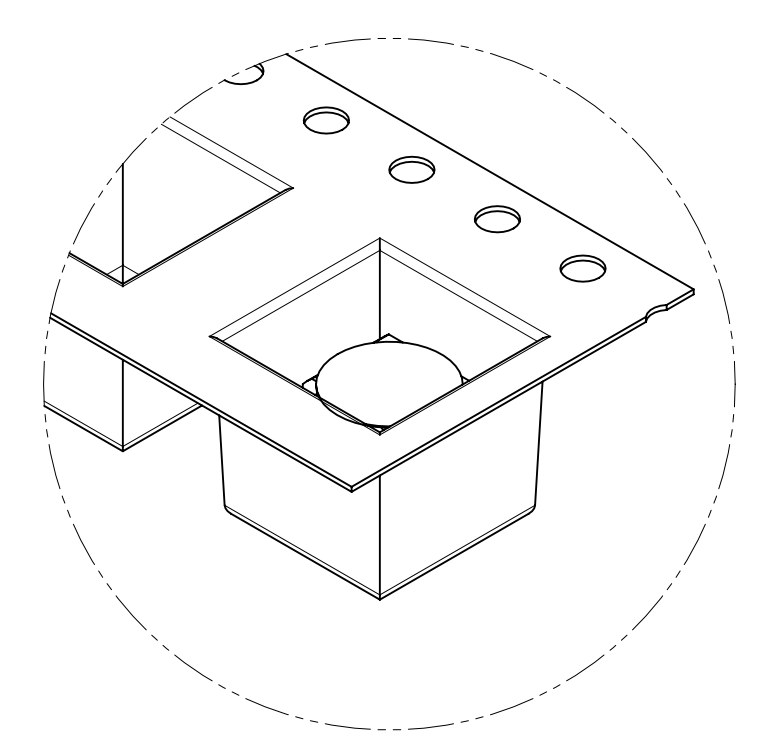
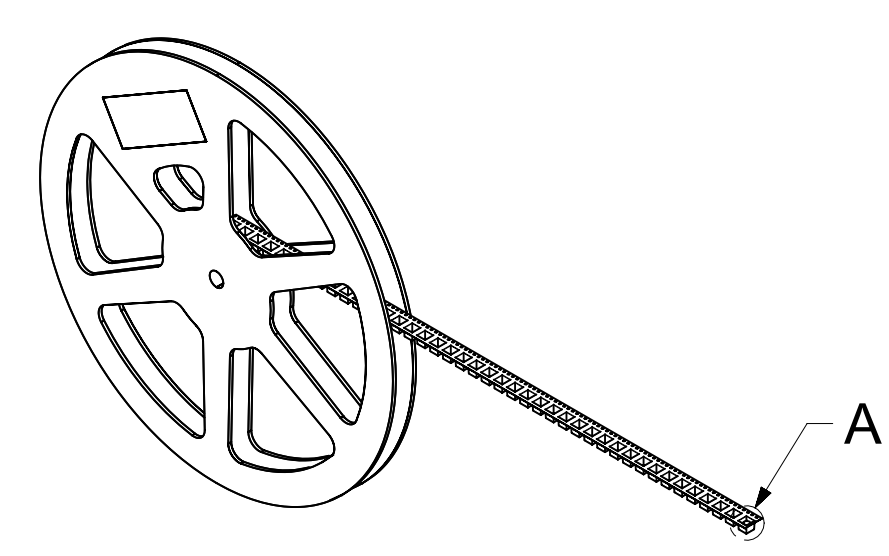


LABEL:
 -ORDER NUMBER
 -QUANTITY
 -PART NUMBER
 -LOT NUMBER



.230 MIN
 [5.84]

VIEWS FOR 73420-6060 & -6061



DETAIL A

| | | | | | | | | | |
|---|--|------------------------|--|---|--|----------------------------|--|---|--|
| THIS DRAWING CONTAINS INFORMATION THAT IS PROPRIETARY TO MOLEX ELECTRONIC TECHNOLOGIES, LLC AND SHOULD NOT BE USED WITHOUT WRITTEN PERMISSION | | | | | | | | | |
| DIMENSION UNITS INCH/MM | | SCALE NTS | | CURRENT REV DESC: ADD 73406-6062 PER EWR #15321-B | | | | molex | |
| GENERAL TOLERANCES (UNLESS SPECIFIED) | | | | EC NO: 718859 | | | | | |
| ANGULAR TOL ± 2.0° | | 4 PLACES ± | | DRWN: RYEH | | 2022/08/19 | | SMP PLUG, R/A PCB LIMITED DETENT, SMP-P/PCB EWR-3795 | |
| 3 PLACES ± | | 2 PLACES ± | | CHK'D: YCHENG | | 2022/08/25 | | | |
| 1 PLACE ± | | 0 PLACES ± | | APPR: YCHENG | | 2022/08/25 | | PRODUCT CUSTOMER DRAWING | |
| INITIAL REVISION: | | | | DRWN: JLEE02 | | 2008/10/27 | | DOCUMENT NUMBER | |
| APPR: JWIENER | | | | 2008/10/27 | | SD-73406-606 | | DOC TYPE DOC PART REVISION | |
| DRAFT WHERE APPLICABLE MUST REMAIN WITHIN DIMENSIONS | | THIRD ANGLE PROJECTION | | DRAWING C-SIZE | | SERIES 73406 | | MATERIAL NUMBER SEE TABLE | |
| | | | | | | CUSTOMER GENERAL MARKET | | SHEET NUMBER 3 OF 3 | |

| | | | |
|-----------------|----|--------------|---------------------|
| DOCUMENT STATUS | P1 | RELEASE DATE | 2022/08/25 07:05:57 |
|-----------------|----|--------------|---------------------|