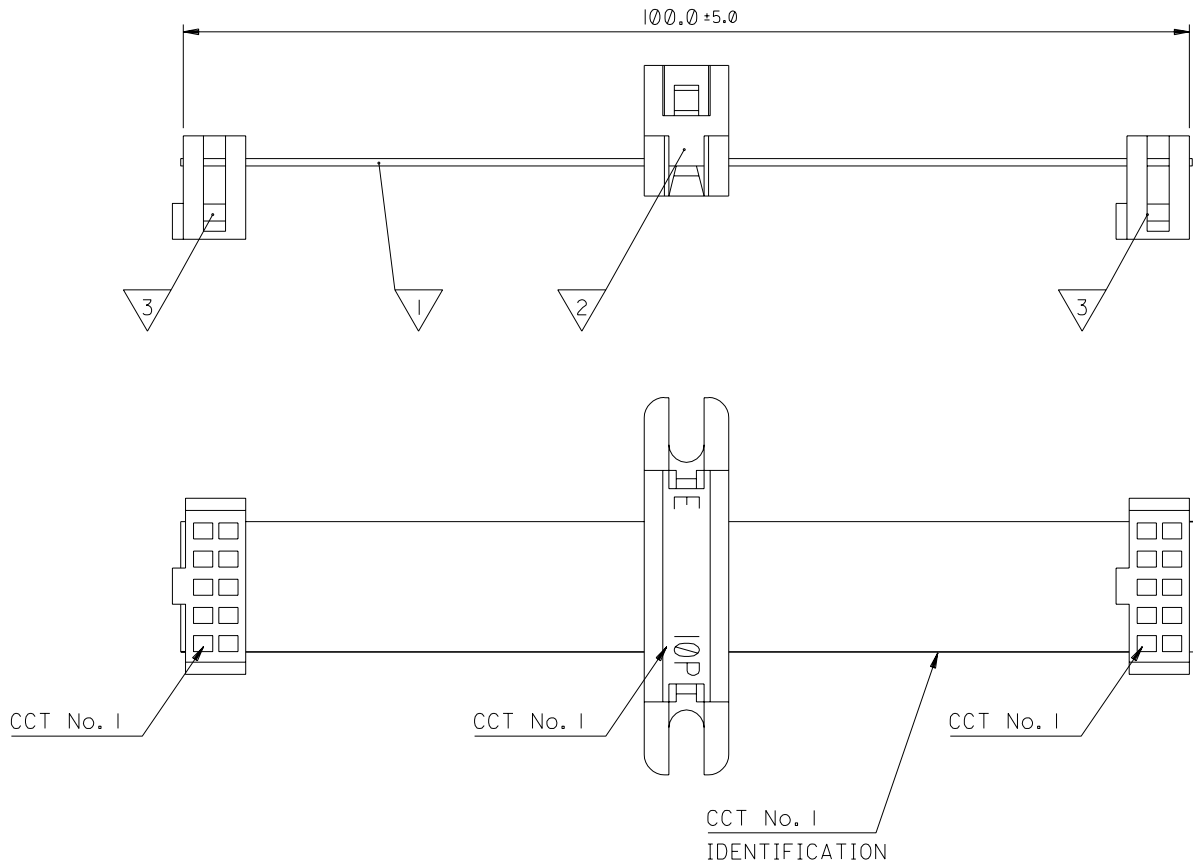


92301-0173
SD-92301-314



ITEM	COMPONENT	DESCRIPTION	QTY	NOTE
1	99026-0025	10CCT, 28AWG STRANDED 1.27mm, RIBBON CABLE	1	1
2	90848-0395	10CKT IDC PLUG CONNECTOR WESTFIELD P/N 3067-10E	1	
3	39-51-2103	10 CCT QF-50 DUAL ROW CABLE RECEPTACLE	2	

NOTES:
1. SEE CABLE SPECIFICATION, ES-99027-0006
2. HARNESSES TO BE 100% ELECTRICALLY TESTED

ORIGINAL RELEASE 2000-0983 D.RYAN 000413	REVISIONS B LTR	THIRD ANGLE PROJECTION		REVISE ONLY ON CAD SYSTEM		SH.	REV.												
		DIMENSIONS METRIC UNLESS STATED		DRWG BY	CAD/CAM FILENAME														
		<table border="1"> <tr><td>4 PLACE</td><td>±</td><td>±</td></tr> <tr><td>3 PLACE</td><td>±</td><td>±</td></tr> <tr><td>2 PLACE</td><td>±</td><td>±</td></tr> <tr><td>1 PLACE</td><td>±</td><td>±</td></tr> </table>		4 PLACE	±	±	3 PLACE	±	±	2 PLACE	±	±	1 PLACE	±	±	CHK'D BY	THIS DRAWING CONTAINS INFORMATION THAT IS PROPRIETARY TO MOLEX INC. & SHOULD NOT BE USED WITHOUT WRITTEN PERMISSION		
		4 PLACE	±	±															
3 PLACE	±	±																	
2 PLACE	±	±																	
1 PLACE	±	±																	
UNLESS OTHERWISE SPECIFIED TOLERANCES: ANGULAR ±1/2		BY																	
SCALE		APP'D BY	TITLE QF50 10CKT RIBBON CABLE HARNESS			PART NO.													
2:1		DATE																	
MARK ALL DETAILS WITH DETAIL NR. ON NOT-CRITICAL SURFACE OF BLOCK		DATE	TOOL NO.		SH.	OF	SIZE												
		00/04/13	SD-92301-314		10F 1		A3												