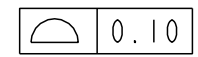
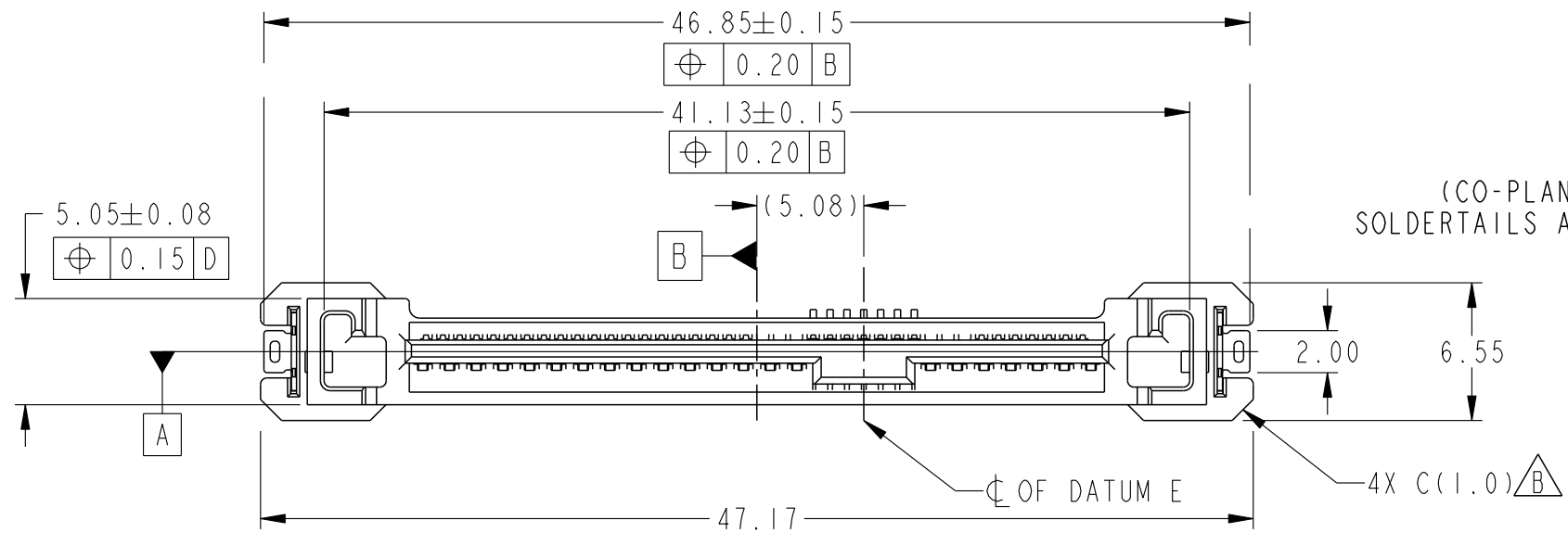
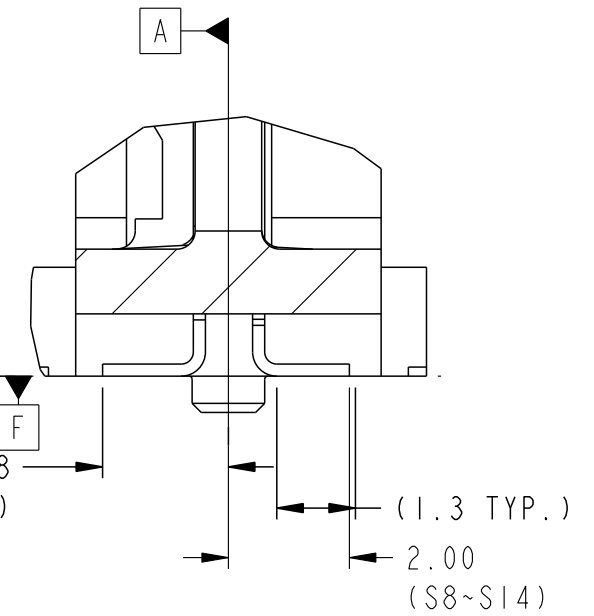


PRODUCT NUMBER	REMARK
10126428-001C-TRLF	OBSOLETE
10126428-002C-TRLF	

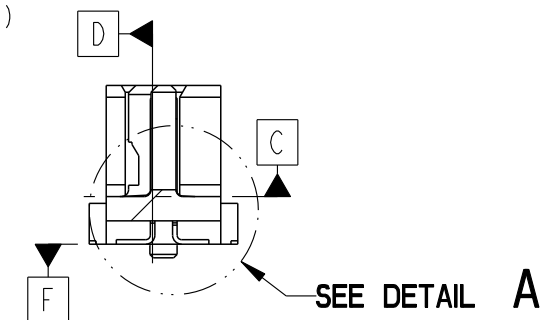
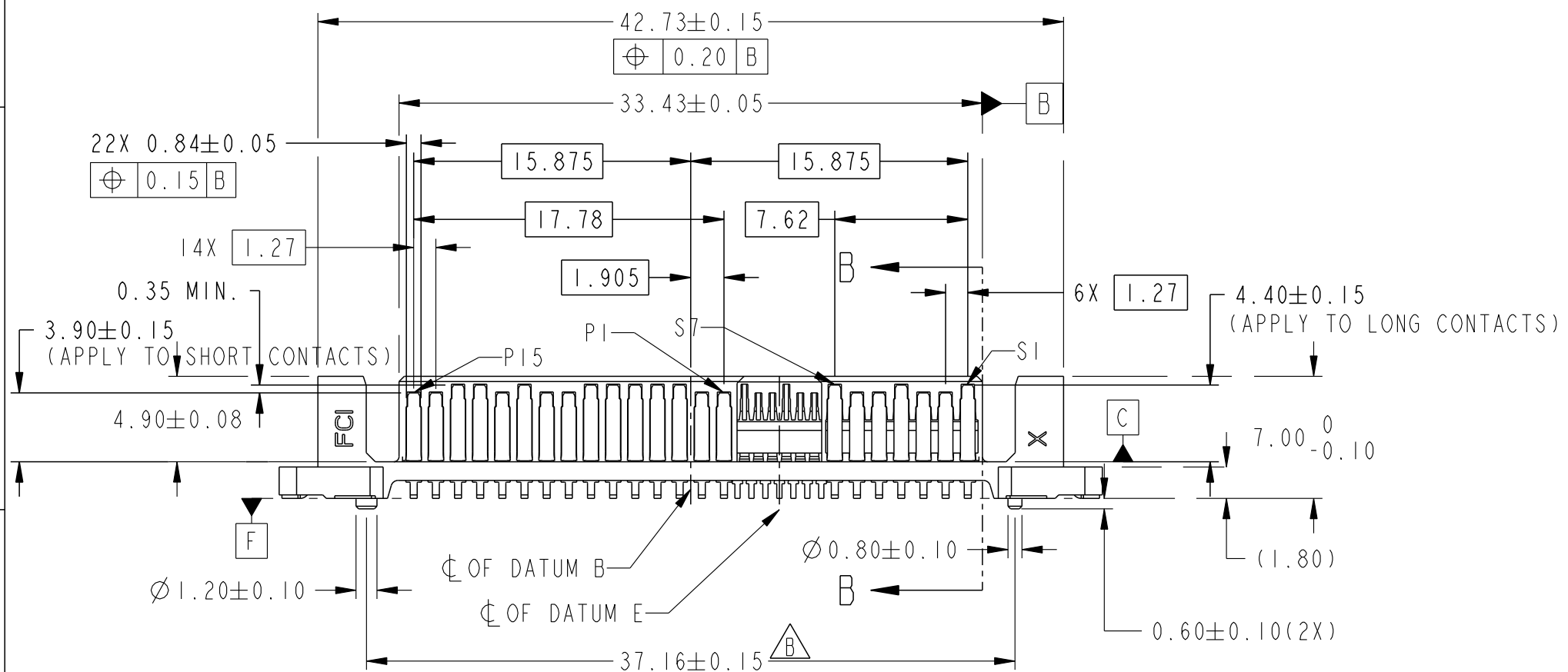


(CO-PLANARITY FOR ALL
SOLDERTAILS AND HOLD DOWN)

(S1~S7; P1~P15)



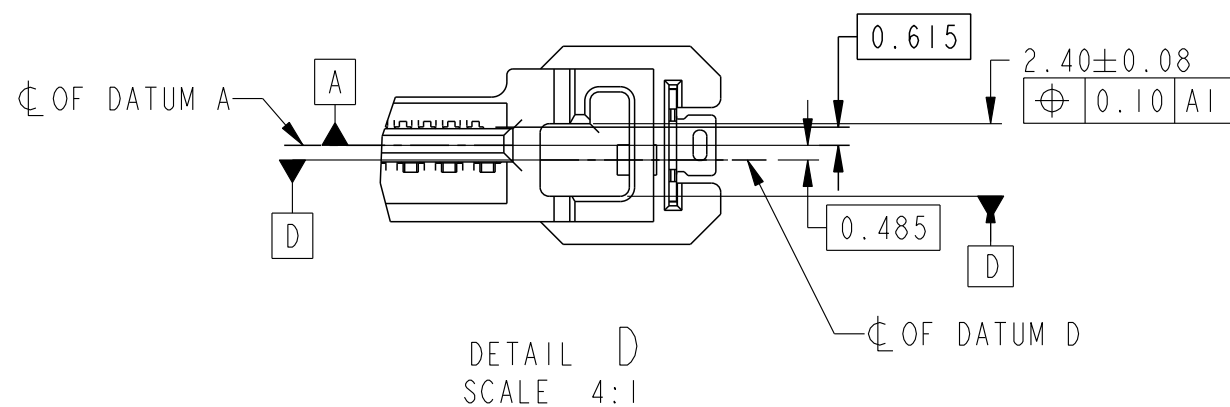
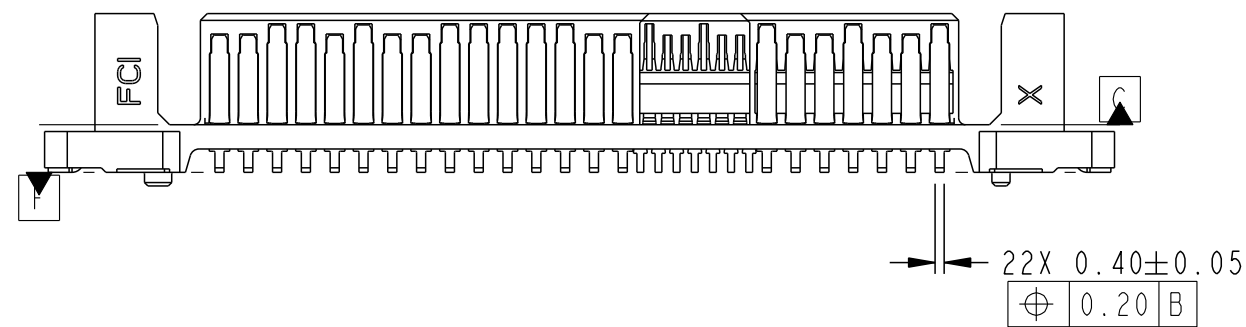
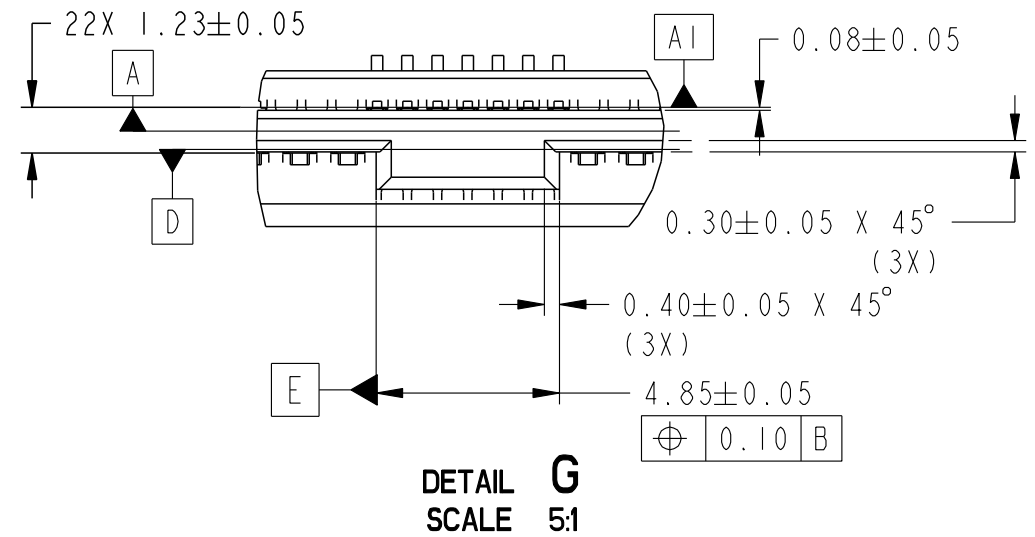
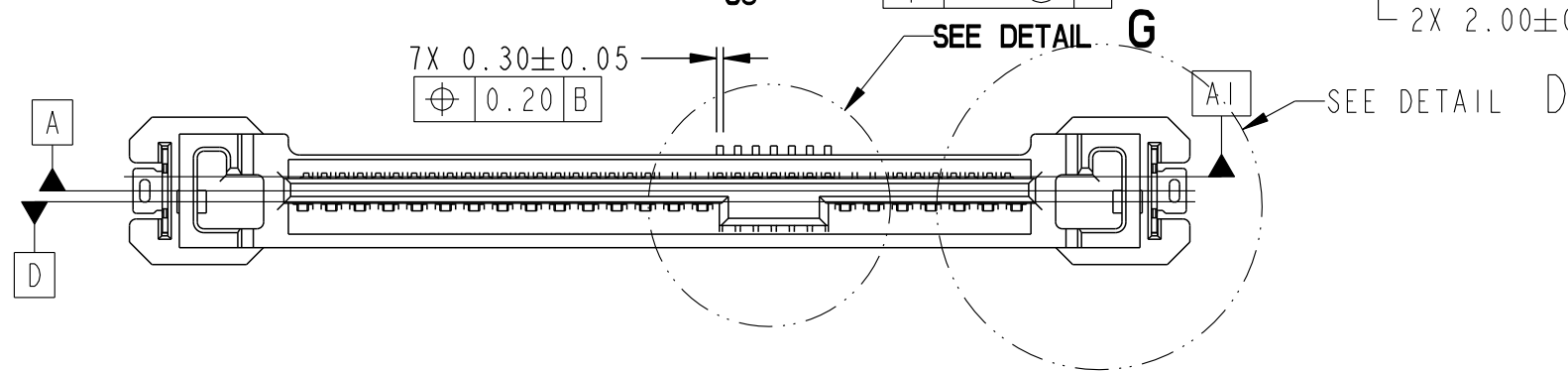
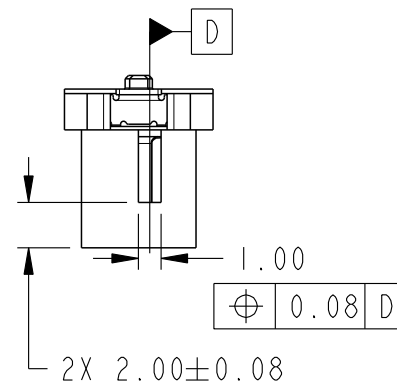
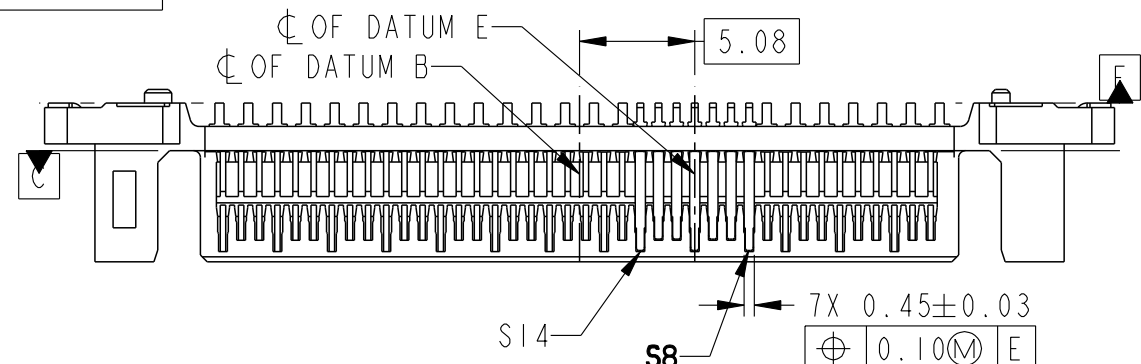
DETAIL A
SCALE 8:1



SECTION B-B

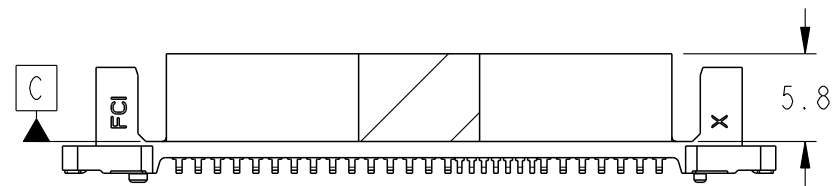
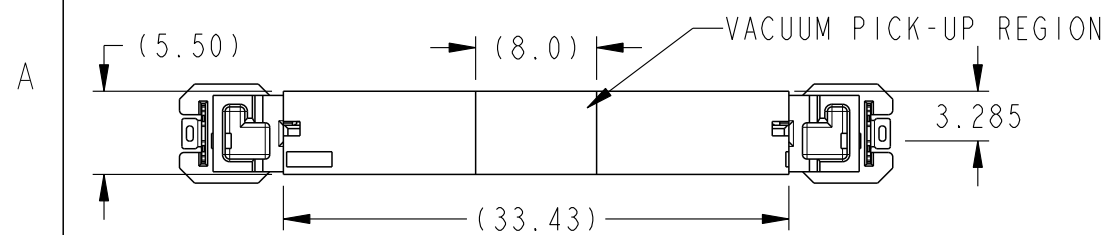
spec ref	-	dr	Jeffrey Lim	2014/08/28	projection	MM	size	A3	scale	3:1			
tolerance std	ASME Y14.5	eng	Jeffrey Lim	2016/02/01			ecn no	ELX-S-23180-1					
TOLERANCES UNLESS OTHERWISE SPECIFIED		chr	-	apppr			Koon-Poh Tay	2016/03/09	product family	-	rel level	Released	
surface	ASME Y14.5	linear	0.X	±0.25		12G SAS PLUG VERTICAL SMT ASSY	dwg no 10126428	rev B	ASME Y14.5 angular 0° ±2°				
		0.XX	±0.13	www.fci.com					cat. no.	-	Product - Customer Drw	sheet 1 of 3	
		0.XXX	±0.050	PDS: Rev :B					STATUS:Released		Printed: Mar 29, 2016		

PRODUCT NUMBER
SEE TABLE

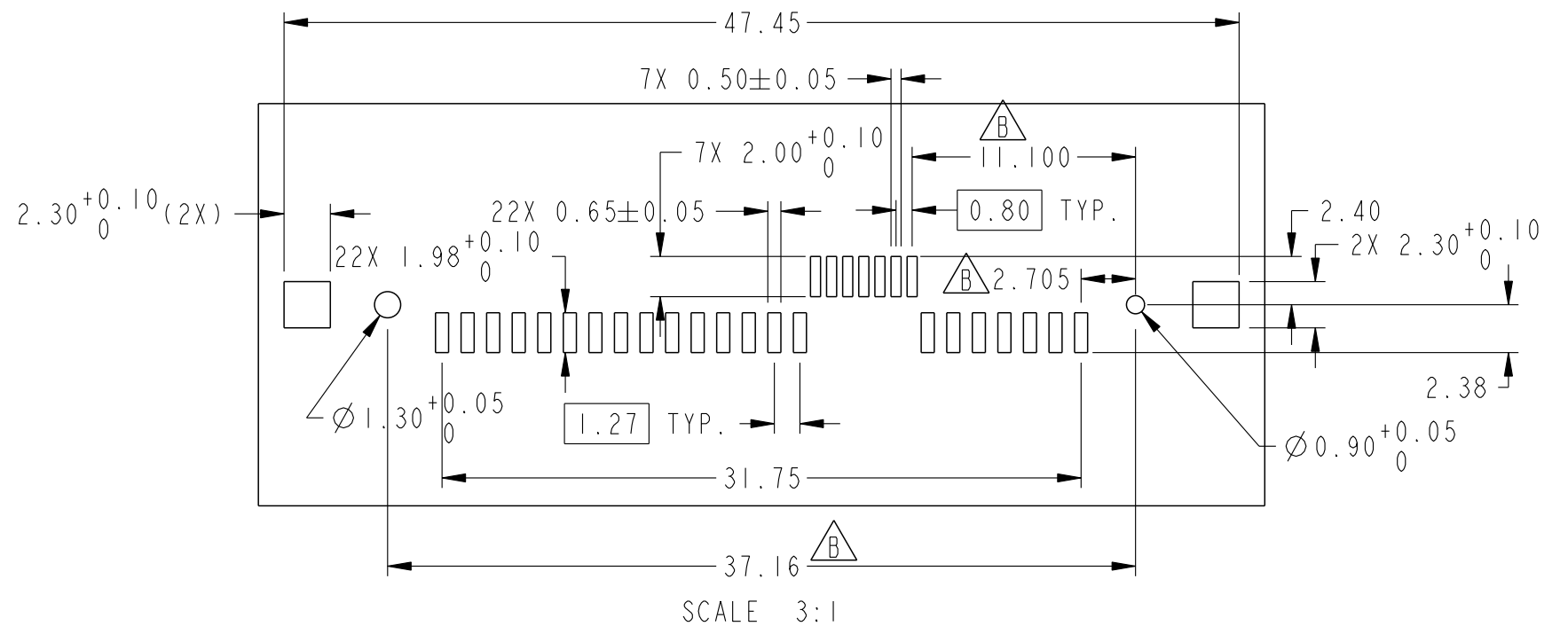


spec ref	-	dr	Jeffrey Lim	2014/08/28	projection	MM	size	A3	scale	3:1
tolerance std	ASME Y14.5	eng	Jeffrey Lim	2016/02/01			ecn no	ELX-S-23180-1		
TOLERANCES UNLESS OTHERWISE SPECIFIED		chr	-	-			rel level	Released		
surface	ASME Y14.5	appr	Koon-Poh Tay	2016/03/09	product family	-	rel level	Released		
linear angular	0.X	±0.25		title 12G SAS PLUG VERTICAL SMT ASSY	cat. no. -	Product - Customer Drw	dwg no 10126428	rev B	sheet 2 of 3	
	0.XX	±0.13								
	0.XXX	±0.050								
ASME Y14.5	0°	±2°	www.fci.com							

PRODUCT NUMBER	PACKAGING	REMARK
10126428-001C-TRLF	TAPE & REEL	OBSOLETE
10126428-002C-TRLF		



SCALE 2:1
WITH PICK-UP CAP ATTACHED



SCALE 3:1
RECOMMENDED PCB LAYOUT

NOTES:

- MATERIAL:
HOUSING & CAP: HIGH TEMPERATURE THERMOPLASTIC, BALCK, UL94V-0
CONTACT & HOLD DOWN: COPPER ALLOY
- FINISH:
CONTACT: 1.27µm MIN. Ni UNDERPLATE OVERALL,
1.91µm MIN. 100% MATTE Sn (LEAD-FREE) ON SOLDER TAIL,
0.76µm MIN. Au ON CONTACT AREA
HOLD DOWN: 1.91µm MIN. 100% MATTE Sn (LEAD-FREE) OVER 1.27µm MIN. Ni UNDERPLATE OVERALL
- PRODUCT SPEC.: GS-12-1120
- PACKAGING SPEC.: GS-14-2307(TAPE & REEL)
- THIS PRODUCT MEETS EUROPEAN UNION DIRECTIVES AND OTHER COUNTRY REGULATIONS AS DESCRIBED IN GS-47-0004
- THIS PRODUCT IS COMPLY WITH SFF-8680 SPECIFICATION
- THE HOUSING WILL WITHSTAND EXPOSURE TO 260°C PEAK TEMPERATURE FOR 10 SECONDS IN A CONVECTION, INFRARED OR VAPOR PHASE REFLOW OVEN
- A SYMBOL $\triangle B$ WILL BE NEXT TO ANY DIMENSION, VIEW OR NOTE WHICH HAS BEEN MODIFIED WITH THE CURRENT DRAWING REVISION.

spec ref	-	dr	Jeffrey Lim	2014/08/28	projection	MM	size	A3	scale	2:1		
tolerance std	ASME Y14.5	eng	Jeffrey Lim	2016/02/01			ecn no	ELX-S-23180-1	rel level	Released		
TOLERANCES UNLESS OTHERWISE SPECIFIED		chr	-	apppr							Koon-Poh Tay	2016/03/09
surface	✓	linear	0.X	±0.25		title 12G SAS PLUG VERTICAL SMT ASSY	dwg no 10126428	rev B	ASME Y14.5			
			0.XX	±0.13					cat. no.	-	Product - Customer Drw	sheet 3 of 3
		angular	0°	±2°					www.fci.com			