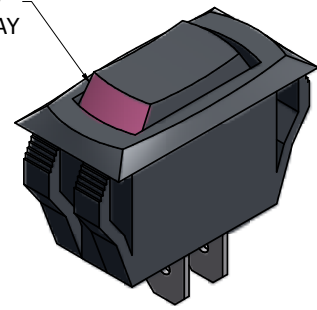
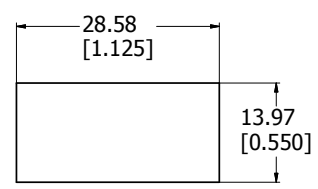


BLACK W/
PINK INLAY



ISOMETRIC VIEW



PANEL CUTOUT
(NOT TO SCALE)

0.032" x 0.250"
QUICK CONNECT TAB
(x2)

1584S20
Ratings - 125 VAC, 20 Amps
Material - Nylon 66 (Body & Actuator) - Black/Pink
Recommended Panel Thickness - 0.75mm to 1.25

