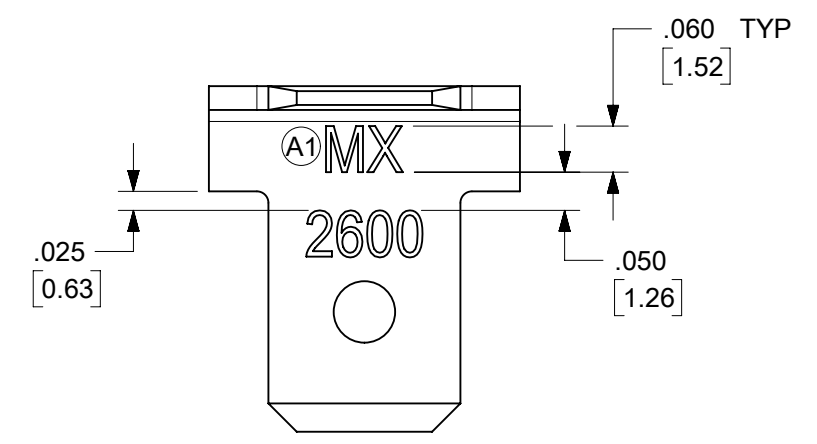
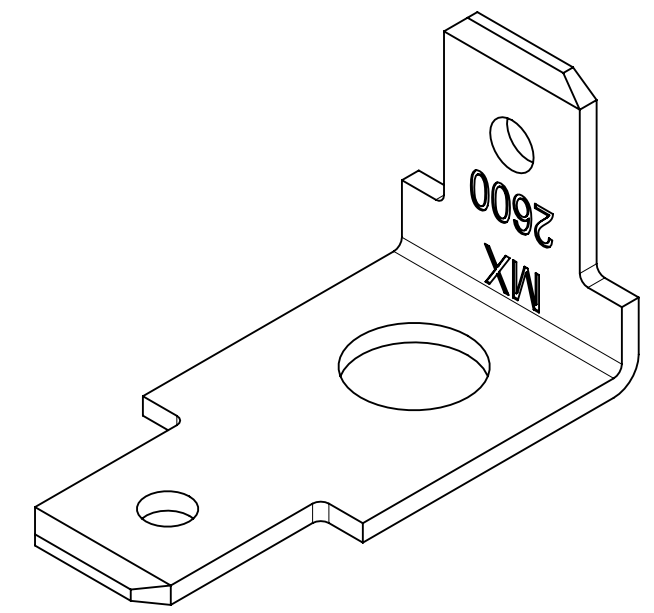
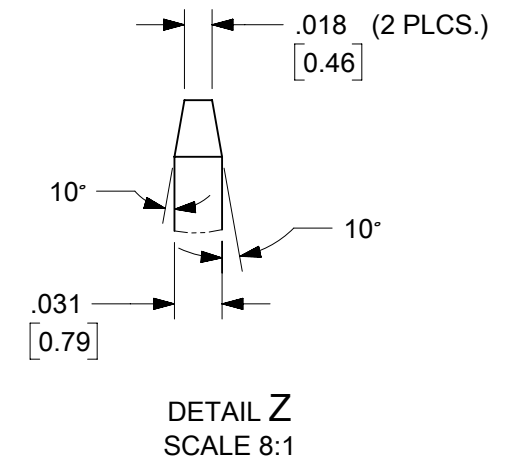
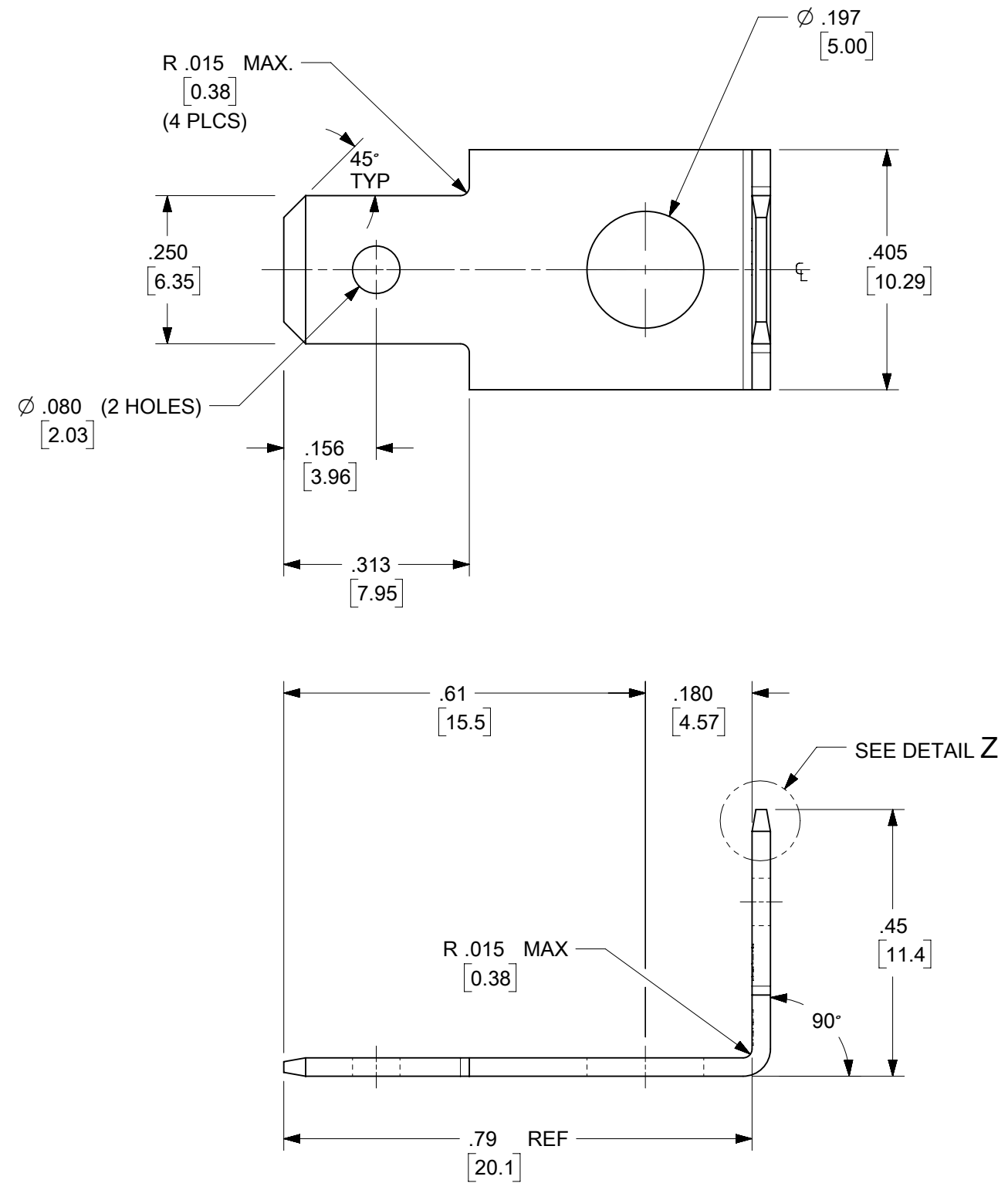


10	9	8	7	6	5	4	3	2	1
MATERIAL NO.	ENGINEERING NO.	DESCRIPTION	MATERIAL	FINISH					
380020447	2617	TERMINAL, FAST TAB, FLVR	BRASS	TIN OVER COPPER PLATED					

NOTES:
 1. ALL DIM'S SHOWN ARE BEFORE PLATING.
 2. PART IS RoHS COMPLIANT.



FUNCTIONAL SYMBOLS	THIS DRAWING CONTAINS INFORMATION THAT IS PROPRIETARY TO MOLEX ELECTRONIC TECHNOLOGIES, LLC AND SHOULD NOT BE USED WITHOUT WRITTEN PERMISSION															
	DIMENSION UNITS		SCALE		CURRENT REV DESC: "MX" WAS "BEAU"											
$\nabla F = 0$	in/[mm]		4:1		EC NO: 650468 DRWN: RMV02 2020/11/13 CHK'D: DMYRICK 2020/12/04 APPR: EJOHNSON04 2020/12/18 INITIAL REVISION: DRWN: DRWN BY 0099/99/99 APPR: APPR BY 0099/99/99											
GENERAL TOLERANCES (UNLESS SPECIFIED)																
$\nabla E = 0$			MM	INCH												
$\nabla F = 0$	4 PLACES	±		± 0.0015												
DIVISIONAL SYMBOLS	3 PLACES	±	0.038	± 0.005												
	2 PLACES	±	0.13	± 0.01												
	1 PLACE	±	0.3	±												
	0 PLACES	±		±												
	ANGULAR TOL		± 2.0°													
DRAFT WHERE APPLICABLE MUST REMAIN WITHIN DIMENSIONS					THIRD ANGLE PROJECTION	DRAWING	SERIES	MATERIAL NUMBER	CUSTOMER	SHEET NUMBER						
						B-SIZE	38002	SEE TABLE	GENERAL MARKET	1 OF 1						
		molex		TERMINAL, FAST TAB, FLVR												
				PRODUCT CUSTOMER DRAWING												
				DOCUMENT NUMBER		DOC TYPE		DOC PART		REVISION						
				SD-38002-0447		PSD		001		A1						