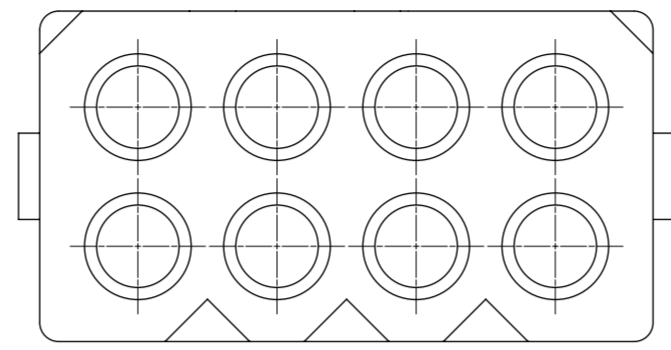
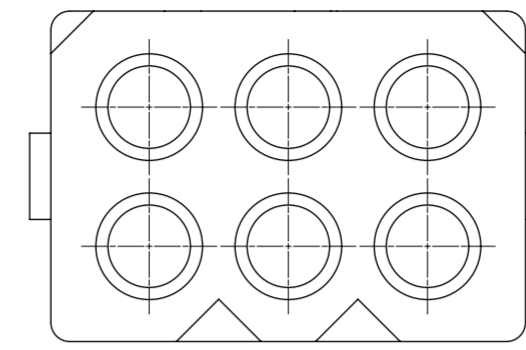


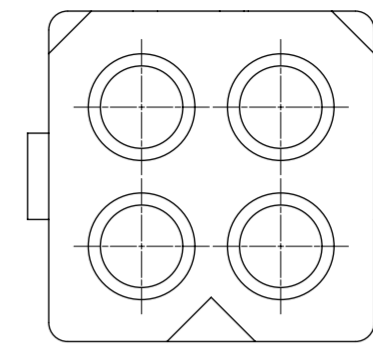
1501792100
10 CKT



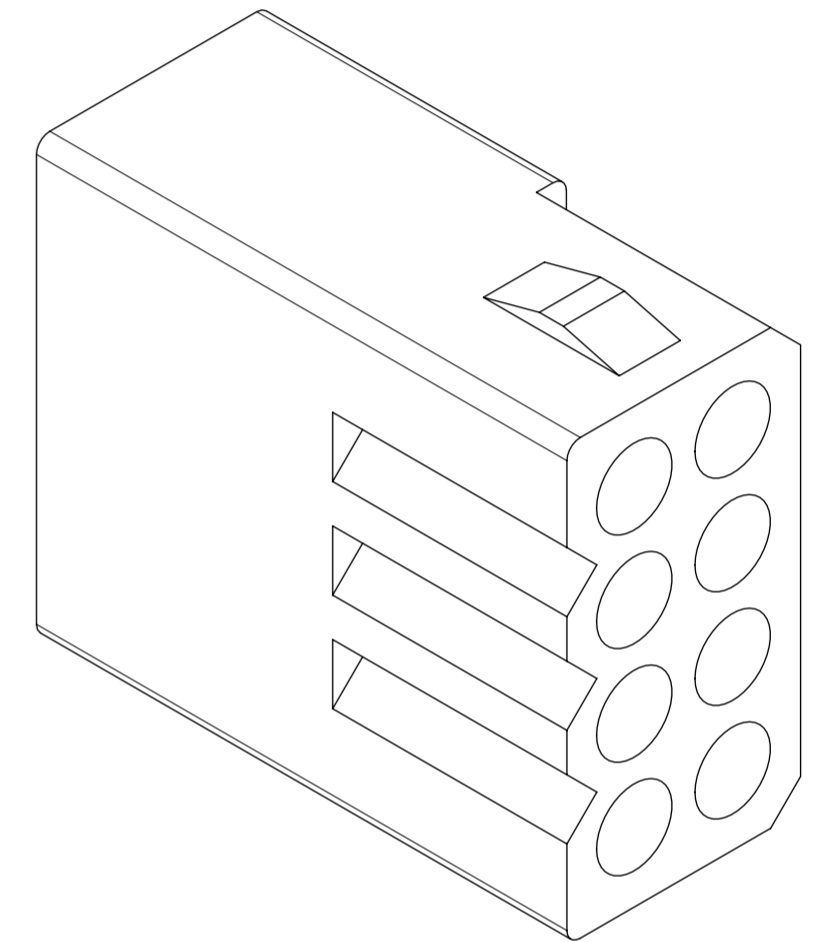
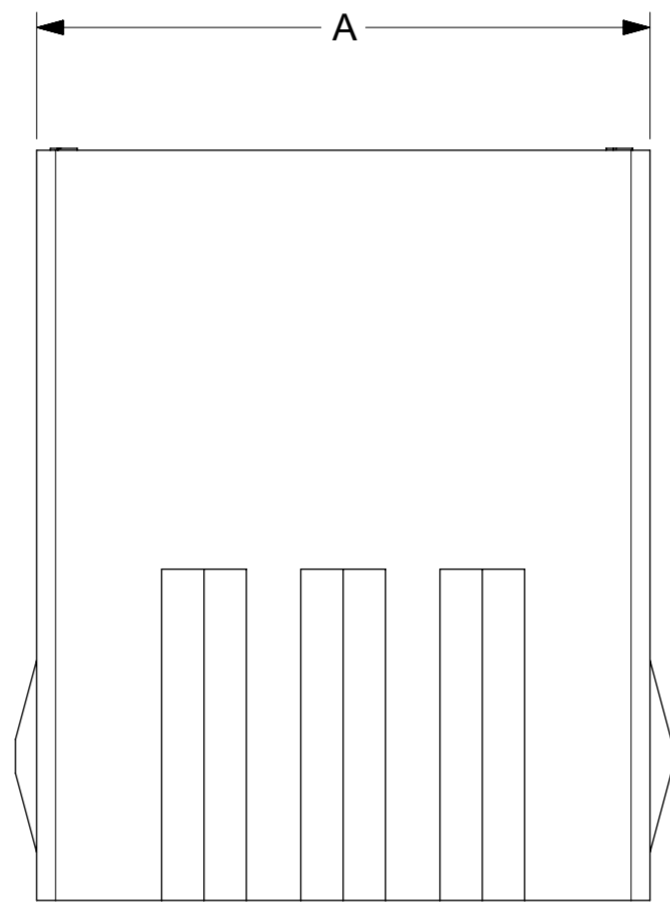
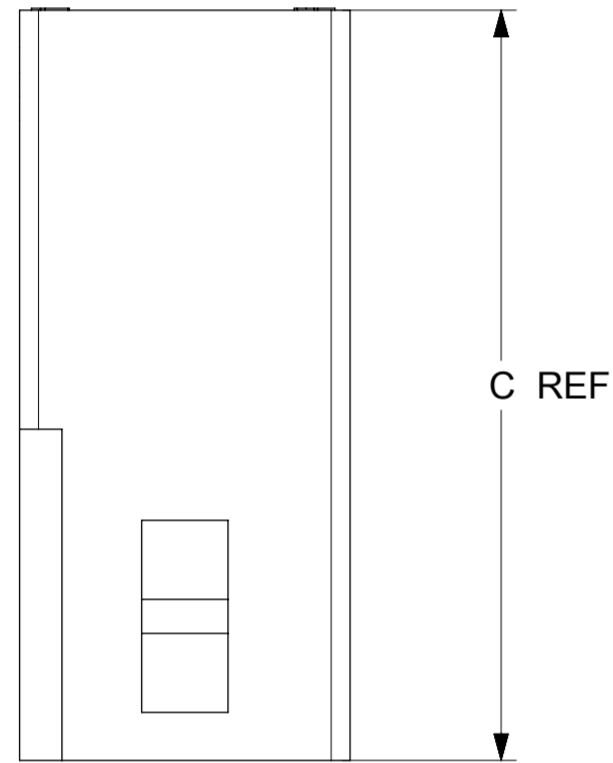
1501792080
8 CKT



1501792060
6 CKT



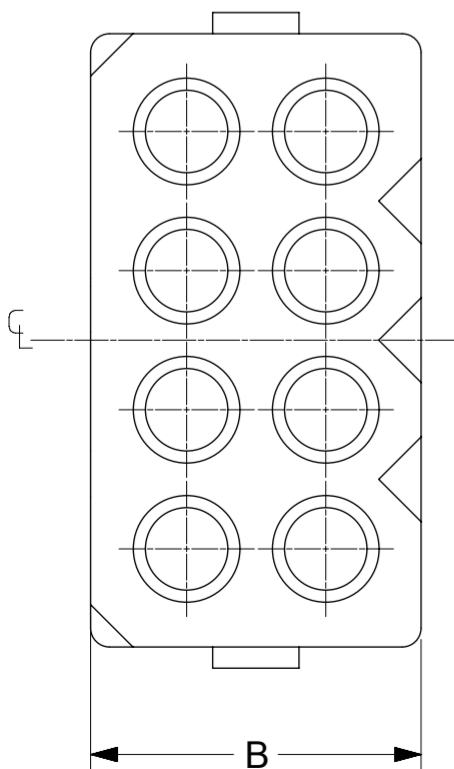
1501792040
4 CKT



RECEPTACLE HOUSING
ISOMETRIC VIEW

TABLE A

SL No.	PART NUMBER	DESCRIPTION	DIM A	DIM B	DIM C
1	15017902040	4 CKT DUAL ROW	8.6	8.6	19.6
2	15017902060	6 CKT DUAL ROW	12.5 ^{+0.30} _{-0.25}	8.8	19.8
3	15017902080	8 CKT DUAL ROW	16.2	8.7	19.8
4	15017902100	10 CKT DUAL ROW	19.9 ^{+0.25} _{-0.35}	8.7	19.8



NOTES:

- 1) MATERIAL: NYLON TYPE 6/6,94V-2 COLOR: NATURAL
- 2) FINISH: NONE
- 3) PRODUCT SPECIFICATION: 1501760001-PS.
- 4) PACKAGING SPECS: PK-150176-001
- 5) THIS PART CONFORMS TO CLASS B REQUIREMENTS OF COSMETIC SPEC PS-45499-002.
- 6) THIS PART CONFORMS TO MOISTURIZING SPECIFICATIONS OF NYLON PARTS REFER AS-45499-001
- 7) THIS PART ACCEPT TERMINAL SERIES 150181
- 8) THIS PART MATES WITH PLUG HOUSING SERIES 150177.

THIS DRAWING CONTAINS INFORMATION THAT IS PROPRIETARY TO MOLEX ELECTRONIC TECHNOLOGIES, LLC AND SHOULD NOT BE USED WITHOUT WRITTEN PERMISSION									
FUNCTIONAL SYMBOLS	DIMENSION UNITS	SCALE	CURRENT REV DESC: DESCRIPTION UPDATED						
$\nabla_A = 0$		5:1	<p style="text-align: center;">molex</p> <p style="text-align: center;">STANDARD .062"+ DUAL ROW RECEPTACLE HOUSING</p> <p style="text-align: center;">PRODUCT CUSTOMER DRAWING</p>						
$\nabla_C = 0$	GENERAL TOLERANCES (UNLESS SPECIFIED)								
$\nabla_P = 0$	ANGULAR TOL ± 0.5°								
	4 PLACES ±								
	3 PLACES ±	EC NO: 647195	DRWN: PRADEA	2020/10/19					
	2 PLACES ± 0.25	CHK'D: NCSR	APPR: NCSR	2020/10/19					
	1 PLACE ± 0.38	INITIAL REVISION:	DRWN: GES	2014/10/09					
	0 PLACES ±	APPR:				DOCUMENT NUMBER	DOC TYPE	DOC PART	REVISION
	DRAFT WHERE APPLICABLE MUST REMAIN WITHIN DIMENSIONS	THIRD ANGLE PROJECTION	DRAWING	SERIES	MATERIAL NUMBER	CUSTOMER	SHEET NUMBER		
			A2-SIZE	150179	SEE TABLE	GENERAL MARKET	1 OF 1		