

THIS DRAWING IS UNPUBLISHED.

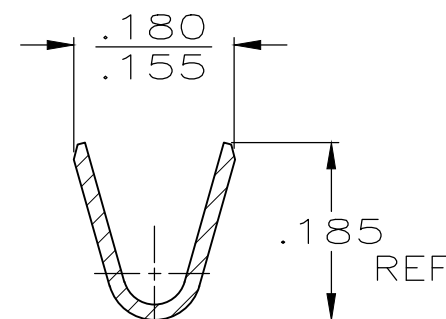
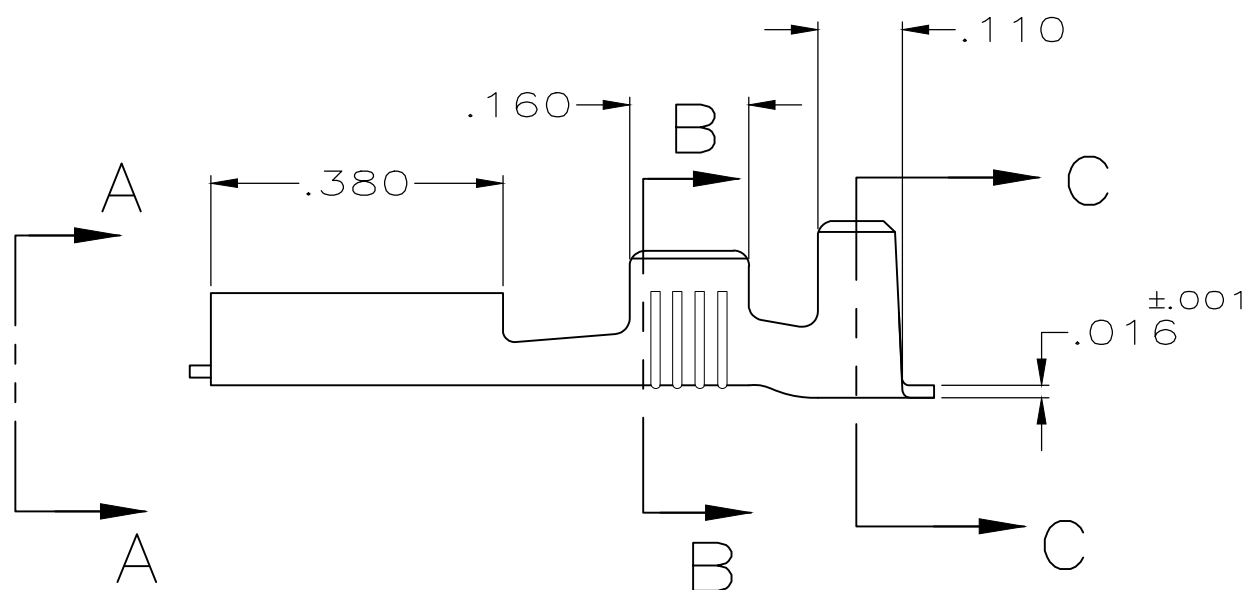
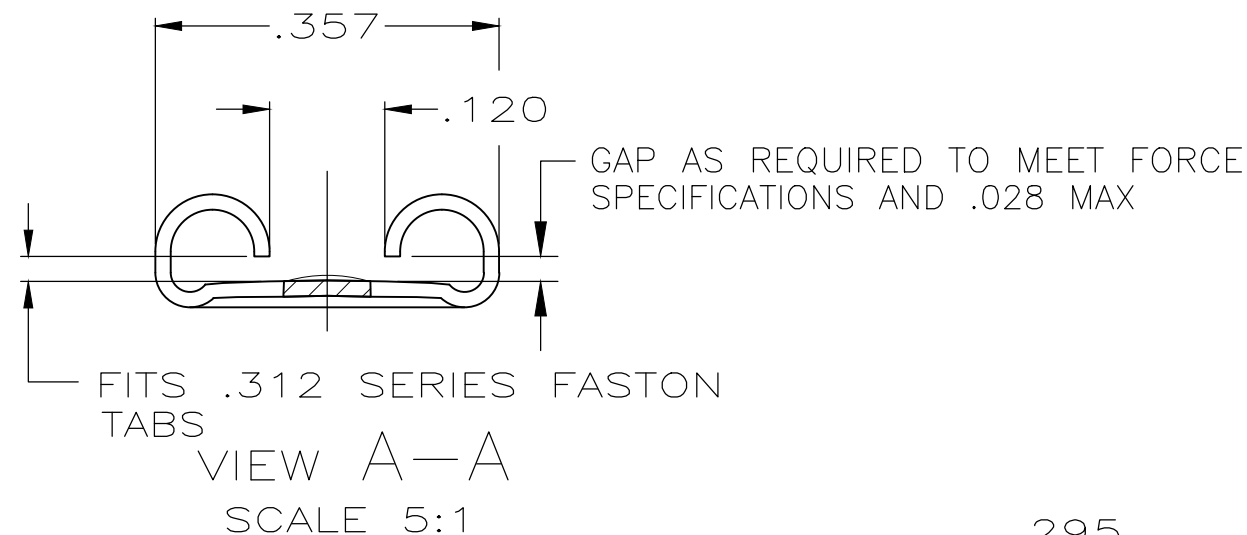
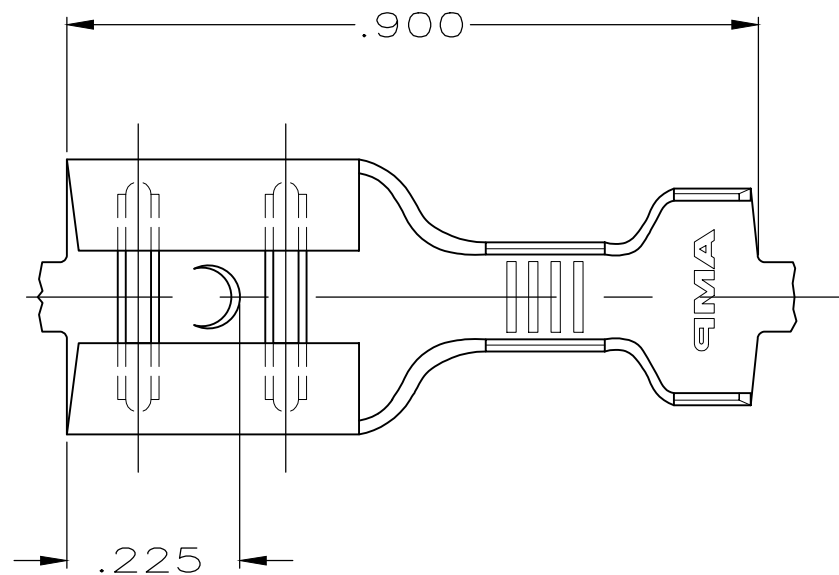
RELEASED FOR PUBLICATION

ALL RIGHTS RESERVED.

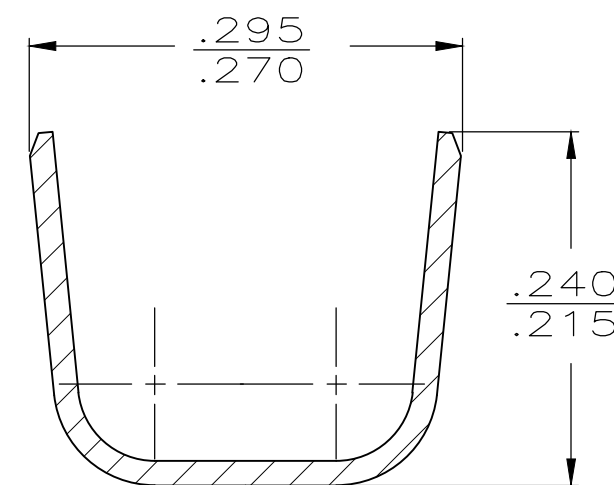
© COPYRIGHT - By -

LOC AF	DIST 50	REVISIONS			
P	LTR	DESCRIPTION	DATE	DWN	APVD
	K1	REVISED PER ECR-20-009164	27JUL2020	MK	DH

1 CONTINUOUS STRIP ON REELS




SECTION B-B
SCALE 5:1



SECTION C-C
SCALE 5:1

.110-.210 OR (2).110 MAX	16-12 AWG	.033-.030	61399-1
INSULATION RANGE	WIRE SIZE	MATING TAB THK	PART NO

THIS DRAWING IS A CONTROLLED DOCUMENT.		DWN JR RUTH 10/28/91	 TE Connectivity													
DIMENSIONS: INCHES		CHK MS FEHER 10/28/91			NAME RECEPTACLE, FASTON, .312 SERIES											
TOLERANCES UNLESS OTHERWISE SPECIFIED:		APVD C MEYERS 10/28/91														
<table border="1"> <tr><td>0 PLC</td><td>± -</td></tr> <tr><td>1 PLC</td><td>± -</td></tr> <tr><td>2 PLC</td><td>± -</td></tr> <tr><td>3 PLC</td><td>± .010</td></tr> <tr><td>4 PLC</td><td>± -</td></tr> <tr><td>ANGLES</td><td>± -</td></tr> </table>		0 PLC			± -	1 PLC	± -	2 PLC	± -	3 PLC	± .010	4 PLC	± -	ANGLES	± -	PRODUCT SPEC -
0 PLC	± -															
1 PLC	± -															
2 PLC	± -															
3 PLC	± .010															
4 PLC	± -															
ANGLES	± -															
MATERIAL BRASS	FINISH TIN	WEIGHT -	SIZE A3	CAGE CODE 00779	DRAWING NO C-61399	SCALE 4:1	SHEET 1 OF 1	REV K1								
CUSTOMER DRAWING																