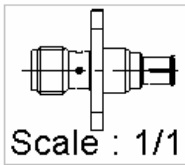
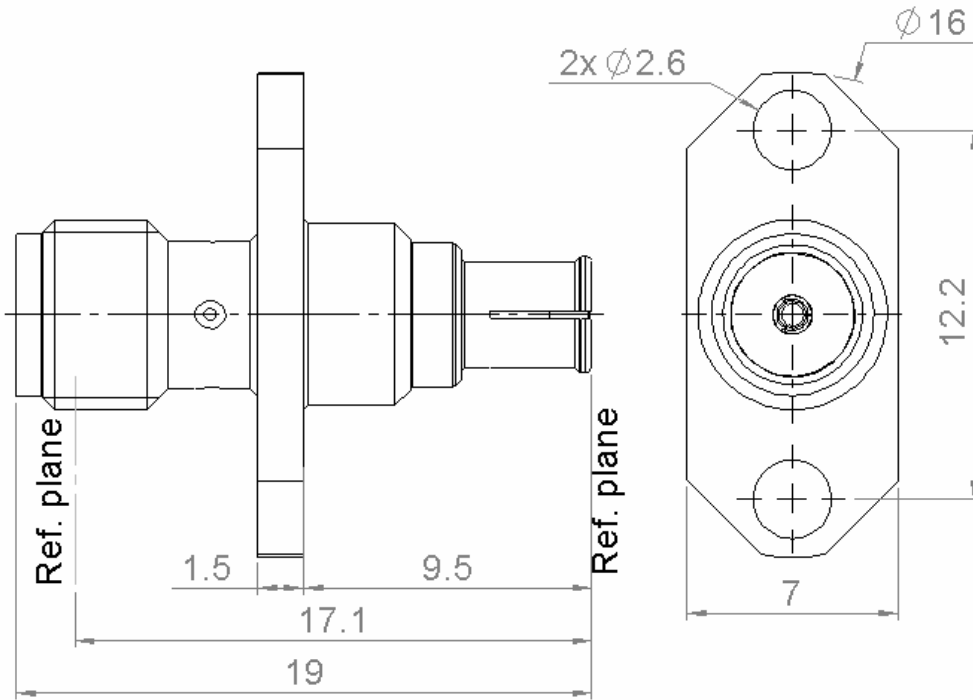


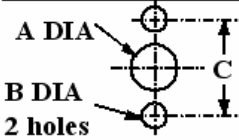
**2 HOLES FLANGE SMA FEMALE-SMP-MAX FEMALE
STRAIGHT ADAPTER**

R191.553.400

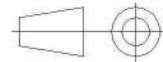
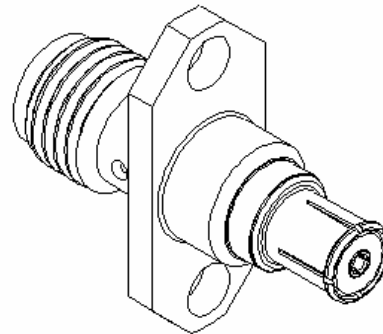
Série : ADAPTER



PANEL CUT OUT



	mm	
	Maxi	mini
A	6.6	6.5
B	2.7	2.6
C	12.25	12.15



All dimensions are in mm.

COMPONENTS	MATERIALS	PLATING (µm)
BODY	BRASS	NPGR
CENTER CONTACT	BERYLLIUM COPPER	NPGR
OUTER CONTACT	BERYLLIUM COPPER	NPGR
INSULATOR	PTFE	
GASKET		
OTHERS PARTS		
-	-	-
-	-	-

Issue : 1138 A

In the effort to improve our products, we reserve the rights to make changes judged to be necessary.



2 HOLES FLANGE SMA FEMALE-SMP-MAX FEMALE

R191.553.400

STRAIGHT ADAPTER

Série : ADAPTER

PACKAGING

SPECIFICATION

Standard	Unit	Other
1	-	Contact us

ELECTRICAL CHARACTERISTICS

ENVIRONMENTAL

Impedance	50	Ω
Frequency	0-6	GHz
VSWR	1.03 + 0.0300	x F(GHz) Maxi
Insertion loss	0.05	\sqrt{F} (GHz) dB Maxi
RF leakage	- (NA)	- F(GHz)) dB Maxi
Voltage rating	335	Veff Maxi
Dielectric withstanding voltage	1000	Veff mini
Insulation resistance	5000	M Ω mini

Operating	-55/+125	$^{\circ}$ C
Hermetic seal	NA	Atm.cm3/s
Panel leakage	NA	

MECHANICAL CHARACTERISTICS

OTHER CHARACTERISTICS

Center contact retention		
Axial force – Mating end	18	N mini
Axial force – Opposite end	18	N mini
Torque	NA	N.cm mini
Recommended torque		
Mating	SMA-COM	0 N.cm
	SMP-MAX	0 N.cm
		0 N.cm
Panel nut	NA	N.cm
Mating life	100	Cycles mini
Weight	2.8670	g

Issue : 1138 A

In the effort to improve our products, we reserve the rights to make changes judged to be necessary.

