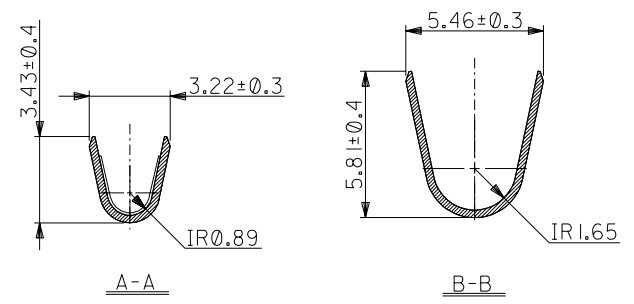
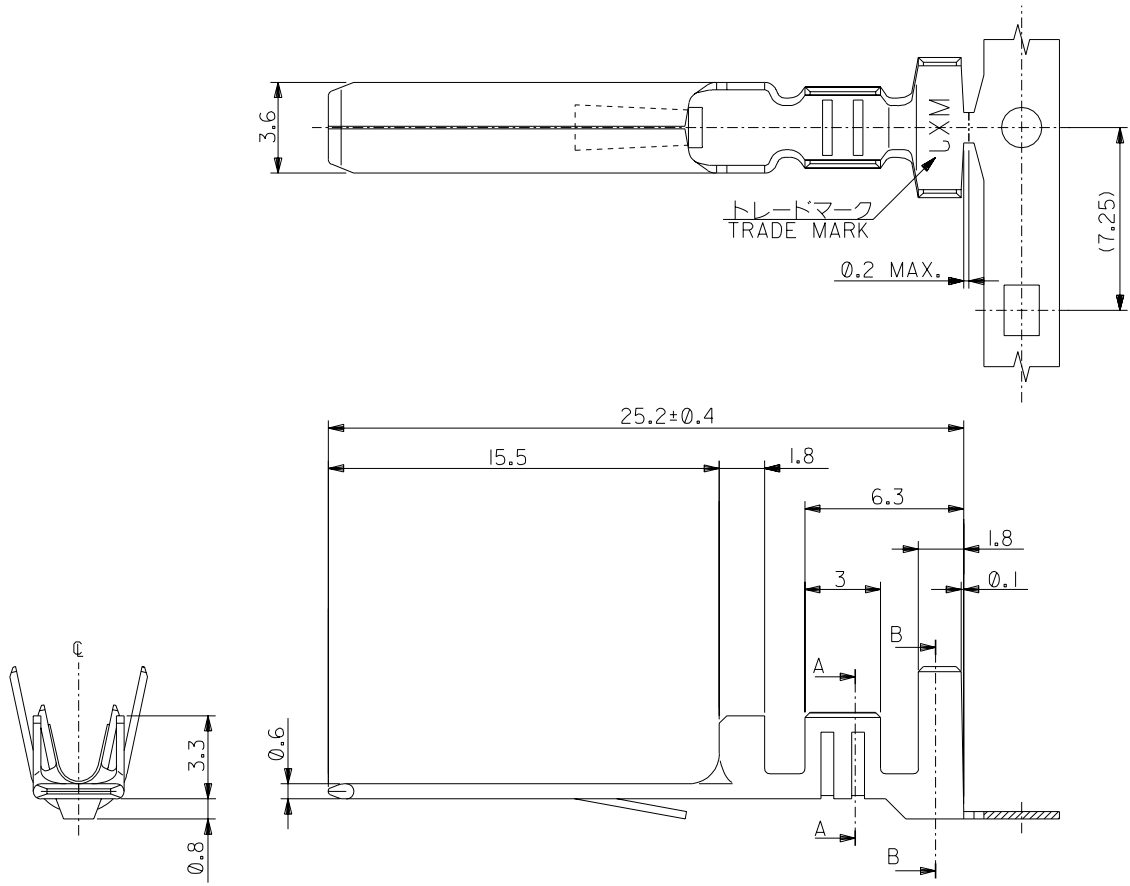


DWG. NO. SD-50638-001



- 注) NOTES:
1. 材質 MATERIAL
黄銅 (板厚: 0.3)
BRASS (THICKNESS : 0.3)
 2. メッキ仕様 TERMINAL PLATING
接点部 : 金メッキ 0.1μmMIN.
CONTACT AREA : GOLD 0.1 MICROMETER MINIMUM.
: パラジウムニッケルメッキ 0.6μmMIN.
: PD-NI 0.6 MICROMETER MINIMUM.
圧着部 : 錫メッキ 1.0 μm MIN.
CRIMP AREA : TIN 1.0 MICROMETER MINIMUM.
下地メッキ : ニッケルメッキ 1.5 μm MIN.
UNDER PLATE : NICKEL 1.5 MICROMETER MINIMUM.
 3. 適用電線範囲: UL 1015, UL 1865, AWG #16~14
APPLICABLE WIRE RANGE : UL 1015, UL 1865, AWG #16~14
 4. 被覆外径 : φ3.8MAX.
INSULATION EXTERNAL DIA : φ3.8MAX.
 5. 50638-9028 は 50638-9049 の鉛フリー品である。
50638-9128 は 50638-9149 の鉛フリー品である。
50638-9028 IS LEAD FREE OF 50638-9049.
50638-9128 IS LEAD FREE OF 50638-9149.

バラ状 LOOSE	50638-9128
連鎖状 CHAIN	50638-9028
端子形状 TERMINAL CONFIGURATION	MATERIAL NO.

DO NOT SCALE DRAWING

5064NO. DRWN: CH'K: APPR: 5063NO. DRWN: CH'K: APPR: 5062NO. DRWN: CH'K: APPR: 5061NO. DRWN: CH'K: APPR:	新規作成 RELEASED 5060NO.-J2004-4129 DRWN:M.NAGATA '04/05/10 CH'K:K.TOJO '04/05/10 APPR:M.SASAO '04/05/10	MATERIAL 材料	— # —	GENERAL TOLERANCES: (UNLESS SPECIFIED) 一般公差	SCALE 5:1 DESIGN UNITS <input checked="" type="checkbox"/> mm <input type="checkbox"/> INCH	MODEL NO. 50638-**** DIMENSIONS: <input type="checkbox"/> mm <input type="checkbox"/> INCH <input checked="" type="checkbox"/> mm ONLY	SHT REV 22WISE ON CAD ONLY				
		FINISH 仕上げ	— # —					10 UNDER 未満 ±0.2 10 OVER 30 UNDER 未満 ±0.25 30 OVER 以上 ±0.3	DRAWN BY & DATE M.NAGATA '04/05/10 CHECKED BY & DATE K.TOJO '04/05/10 APPROVED BY & DATE M.SASAO '04/05/10	TITLE: 2mm PITCH AC/DC CONN. PLUG CRIMP TERM. (MII DRAWER CONNECTOR) -LEAD FREE- MOLEX MOLEX INCORPORATED	
WIRE RANGE 適用電線範囲	— # —	ANGLE 角度	±3°	CAD FILENAME	SD-50638-001.S01	MATERIAL NO.	SEE CHART	DRAWING NO.	SD-50638-001		SHEET NO.
INS. RANGE 被覆外径	— # —	THIS DRAWING CONTAINS INFORMATION THAT IS PROPRIETARY TO MOLEX INCORPORATED AND SHOULD NOT BE USED WITHOUT WRITTEN PERMISSION.									