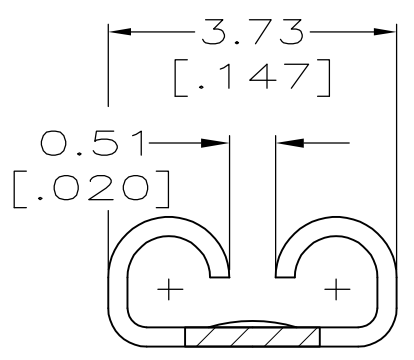
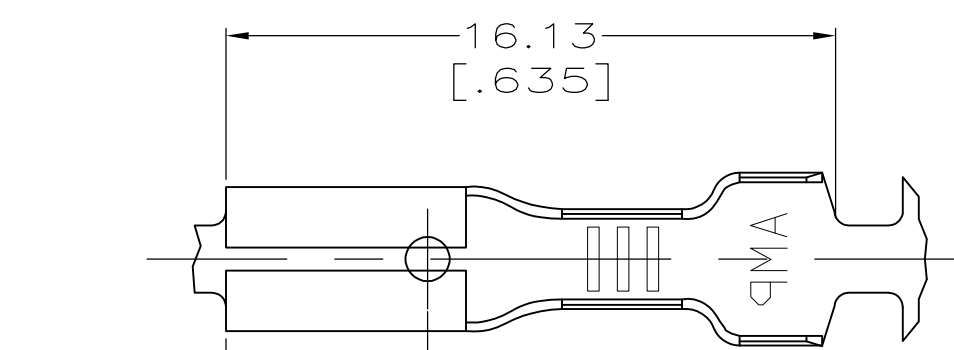


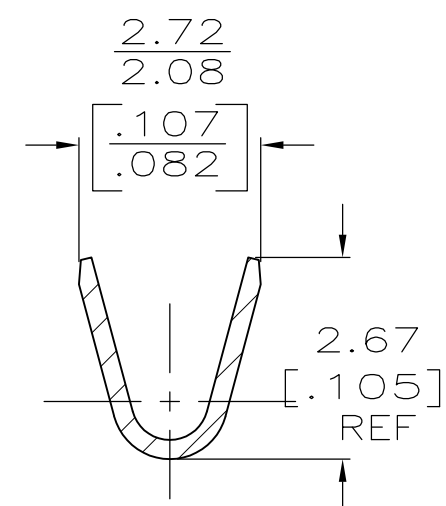
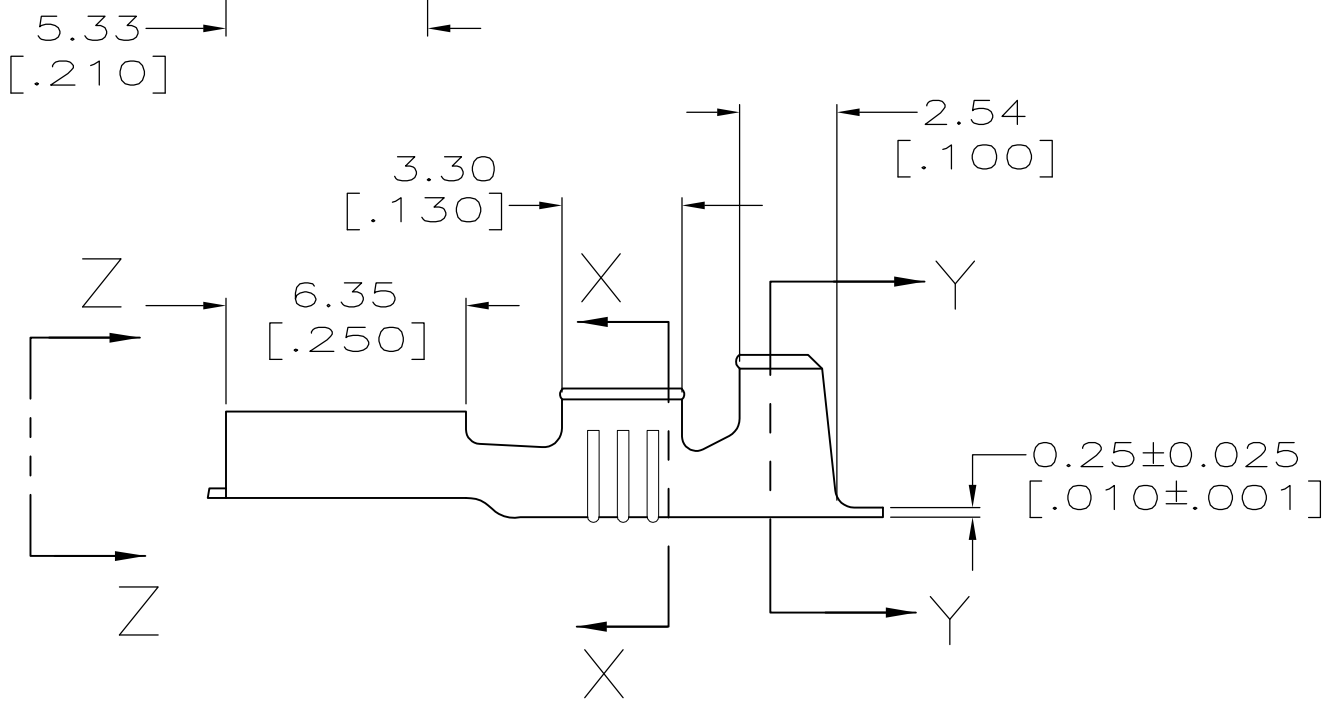
THIS DRAWING IS UNPUBLISHED. RELEASED FOR PUBLICATION  
 © COPYRIGHT - By - ALL RIGHTS RESERVED.

LOC	DIST	REVISIONS			
P	LTR	DESCRIPTION	DATE	DWN	APVD
AF	50	B	REVISED PER ECR-12-013518	24NOV12	KH PD

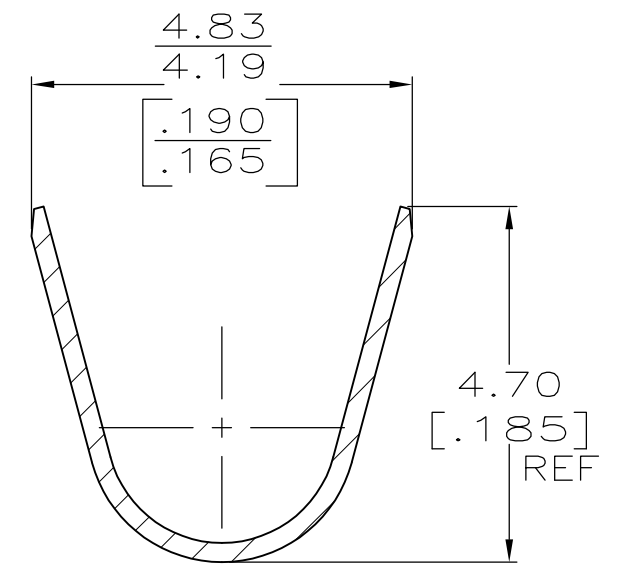
- CONTINUOUS STRIP ON REELS
- MATING TAB THK TO BE  $0.81 \pm 0.025$  [.032±.001]
- WIRE SIZE IS [#22-#18] AWG.
- INSULATION RANGE IS 3.05-3.56 [.120-.140] DIA.



VIEW Z-Z  
SCALE 10:1




SECTION X-X  
SCALE 10:1



SECTION Y-Y  
SCALE 10:1

63954-1  
PART NO.

THIS DRAWING IS A CONTROLLED DOCUMENT.		DWN	JR RUTH	12/6/96	 TE Connectivity	NAME					
DIMENSIONS: mm [INCHES]		CHK	MS FEHER	12/6/96		RECEPTACLE, FASTON, 2.79 [.110] SERIES					
TOLERANCES UNLESS OTHERWISE SPECIFIED:		APVD	P DESANTIS	12/6/96		PRODUCT SPEC					
0 PLC ± - 1 PLC ± - 2 PLC ± - 3 PLC ± 0.25 [.010] 4 PLC ± - ANGLES ± -		APPLICATION SPEC		SIZE							
MATERIAL	BRASS	FINISH	PRE-TIN	WEIGHT	-	CAGE CODE	A300779	DRAWING NO	C-63954	RESTRICTED TO	-
CUSTOMER DRAWING				SCALE	5:1	SHEET	1 OF 1	REV	B		