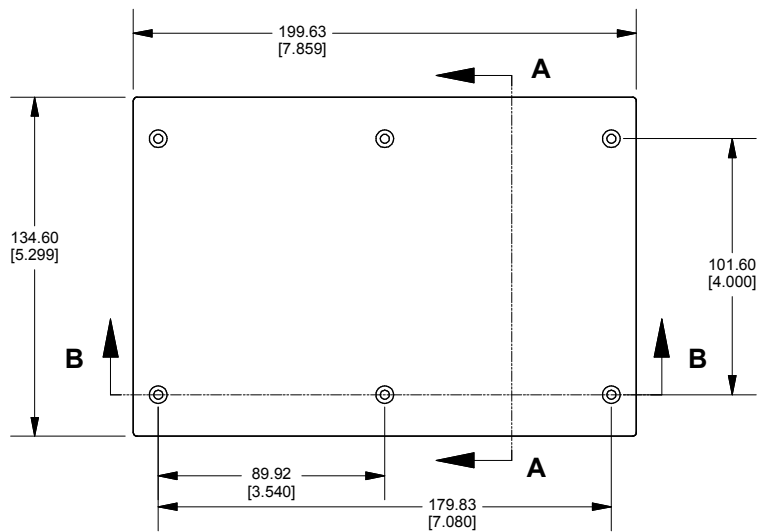
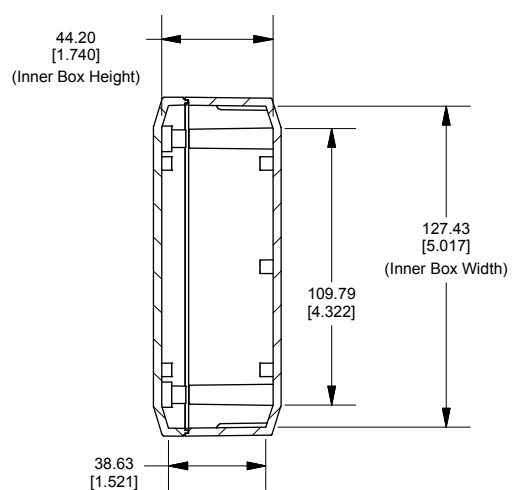


2

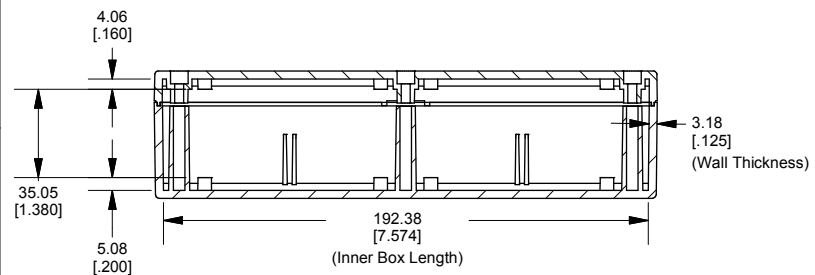
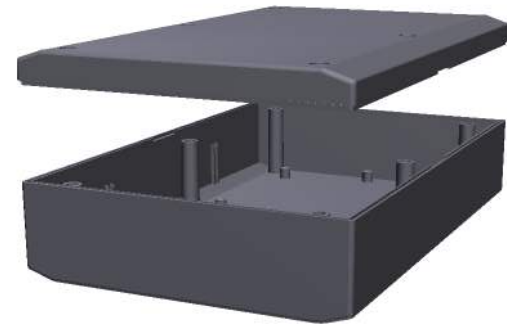
1



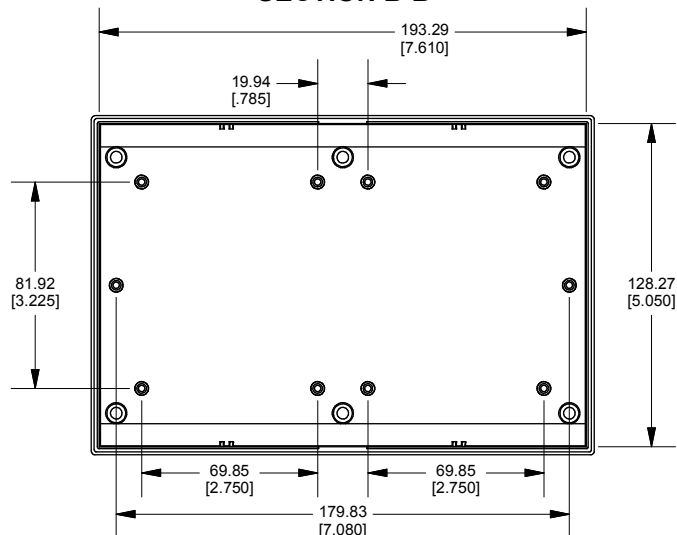
ASSEMBLY TOP VIEW



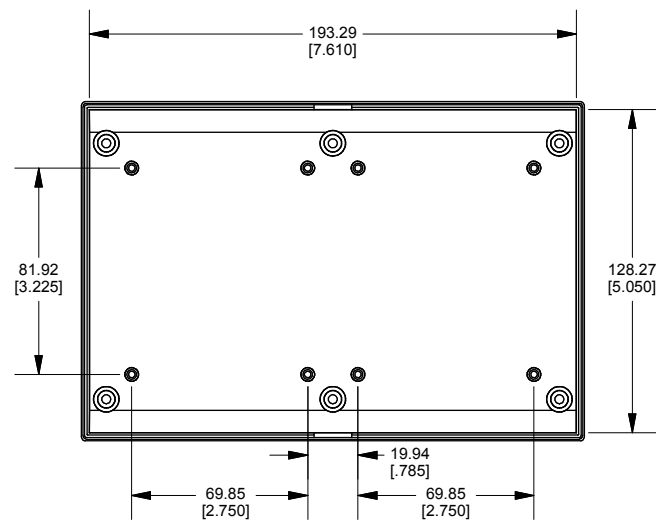
SECTION A-A



SECTION B-B



BOX INSIDE VIEW



LID INSIDE VIEW

Enclosures can be Factory Modified (Milling, Drilling, Printing etc.)
 Contact Factory mjm@hammondmfg.com for quotes
 Solid models of this enclosure available in STEP or IGES.

NOTES	
Purchased assembly includes Box & Lid and Cover Screws	
1597Y	
PART NUMBERS	
GREY ABS	1597Y



2

1