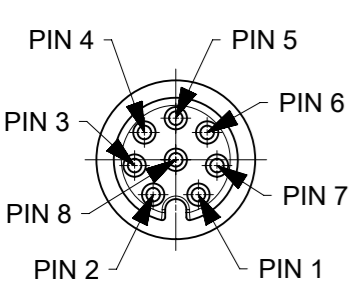
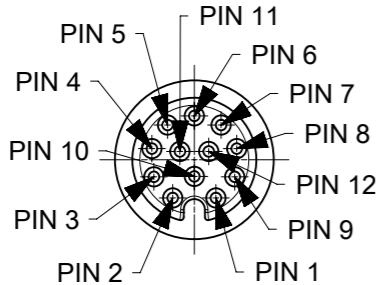


**8 POLE
M12 FEMALE**



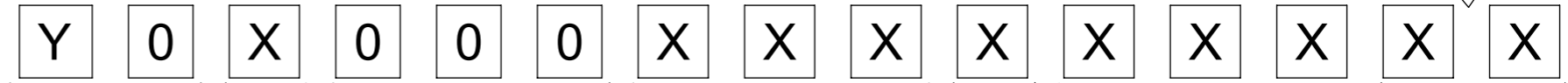
PIN	WIRE COLOR	PIN	WIRE COLOR
1	WH	5	GY
2	BN	6	PK
3	GN	7	BU
4	YE	8	RD

**12 POLE
M12 FEMALE**



PIN	WIRE COLOR	PIN	WIRE COLOR
1	WH	7	BU
2	BN	8	RD
3	GN	9	BK
4	YE	10	VT
5	GY	11	GY/PK
6	PK	12	RD/BU

PART No MATRIX



Y0= ULTRA LOCK 2.0
SINGLE ENDED

POLES:
8 = 8 POLES
C = 12 POLES

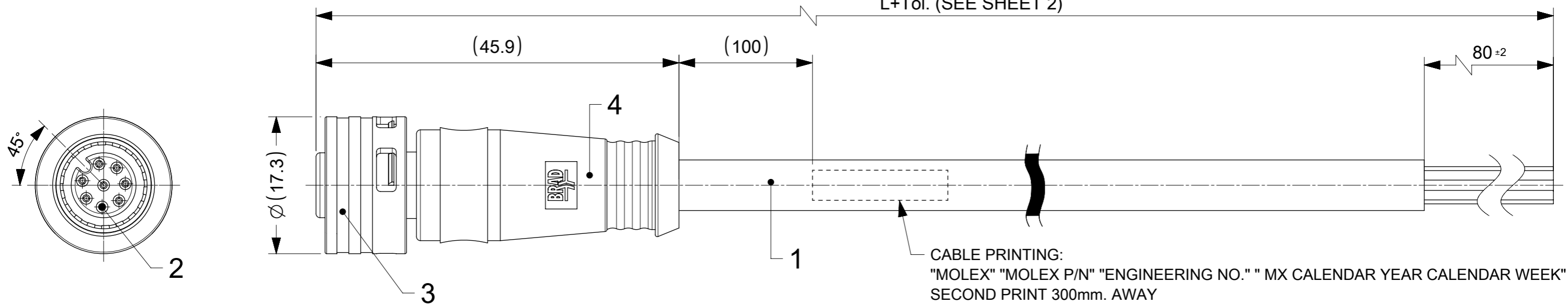
HEADER:
000= FEMALE STR

CABLE:
E02 - 8x0.25 PVC BLACK
B41 - 8x0.25 WSOR BLACK
H08 - 8x0.25 PUR-LS0H BLACK
H45 - 12x0.14 PUR BLACK

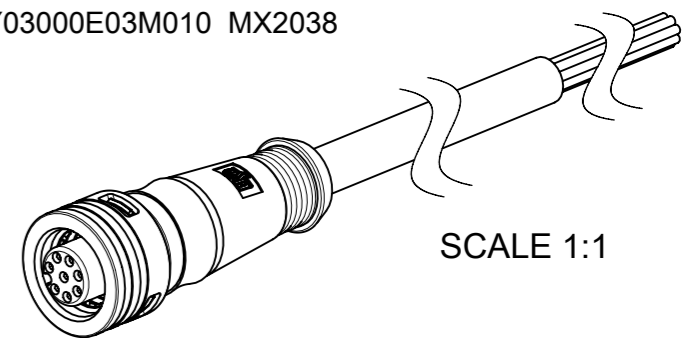
UNIT:
M = METER
F = FEET
C = CENTIMETER
T = 10M

LENGTH:
EXAMPLE:
010 = 1 m
050 = 5 m
100 = 10 m

OVERMOLD:
BLANK = STANDARD BRAD:
-YELLOW IN THE USA
-BLACK IN EUROPE
A = GREY
E = RED
G = BLACK
Y = YELLOW
H = STD. COLOUR WITH TWO
/D-TAG CARRIERS



FOR EXAMPLE: MOLEX 1204000001 Y03000E03M010 MX2038



- NOTES:
- PARTS ACC. TO PRODUCT SPECIFICATION 1204000001 PS P10 AND IN STYLE OF IEC-61076-2-010
 - BOM & PART LIST - SEE SHEET 2
 - RATED VOLTAGE :
8, 12 CONTACTS: 30V AC OR DC
RATED CURRENT:
8 CONTACTS: 2A
12 CONTACTS: 1.5A,
DERATING HAS TO BE CONSIDERED
OVERVOLTAGE CATEGORY: 3
POLLUTION DEGREE: 3, ONLY IN MATED AND LOCKED CONDITION
 - PROTECTION CLASS: IP 67, ONLY IN MATED AND LOCKED CONDITION
 - TEMPERATURE RANGE:
TEMPERATURE PLUG/SOCKET: -40 °C TO +85 °C
TEMPERATURE CABLE: SEE CABLE LIST
 - MECHANICAL OPERATIONS: 100 CYCLES
 - MATES WITH ULTRA-LOCK M12 MALE RECEPTACLES
 - PACKAGING: THE CORDSETS ARE SINGLE PACKED IN PLASTIC BAGS AND DELIVERED IN CARTON BOXES
 - UL CSA FILE REGISTRATION PENDING

FUNCTIONAL SYMBOLS	THIS DRAWING CONTAINS INFORMATION THAT IS PROPRIETARY TO MOLEX ELECTRONIC TECHNOLOGIES, LLC AND SHOULD NOT BE USED WITHOUT WRITTEN PERMISSION		CURRENT REV DESC: NOTES AND CABLE LIST UPDATED		molex		
	mm	2:1	EC NO: 736602 DRWN: RSCHIEBER 2023/01/23 CHK'D: RSILLER 2023/01/31 APPR: RSILLER 2023/01/31			CSE U12 8-12P AC FE STR XM SE UNSH BK	
DIVISIONAL SYMBOLS	GENERAL TOLERANCES (UNLESS SPECIFIED)		INITIAL REVISION:		PRODUCT CUSTOMER DRAWING		
	4 PLACES	±	DRWN: RSCHIEBER 2020/09/15	DOCUMENT NUMBER		DOC TYPE	
	3 PLACES	±	APPR: RSILLER 2020/09/29	1204000100	PSD		
	2 PLACES	± 0.05			000		
	1 PLACE	± 0.3			B3		
	0 PLACES	± 0.5					
DRAFT WHERE APPLICABLE MUST REMAIN WITHIN DIMENSIONS		THIRD ANGLE PROJECTION	DRAWING	SERIES	MATERIAL NUMBER	CUSTOMER	SHEET NUMBER
			A3-SIZE	120400	SEE SHEET 2	GENERAL MARKET	1 OF 2

