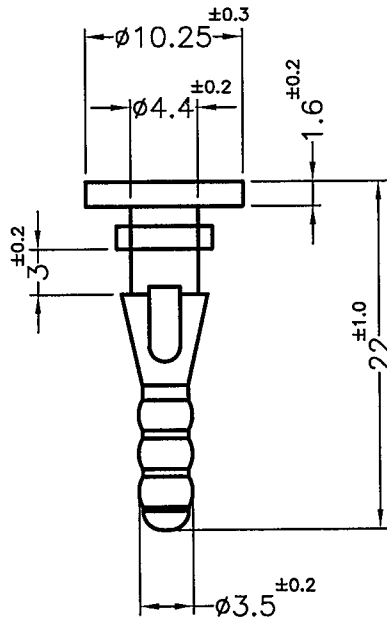


REVISIONS			
REV	DESCRIPTION	DATE	BY



MOUNTING HOLE $\phi 4.4\text{mm}$

NOTE:1. SHRINKING IS NORMAL STATUS.

內縮為正常現象。

2. BASED ON ASSEMBLING FOR ACTUAL SIZE , MEASUREMENT DIMENSION FOR REFERENCE ONLY.

實際以裝配為主, 尺寸量測僅供參考。

3. MADE OF EQUIVALENT MATERIAL.

均可使用同等材質。

4. THE COLOR BATCH TEST REPORT IS ONLY FOR TEST PURPOSE.

色母環保檢測報告, 僅提供原始測試報告。

				TITLE	FAN SNAP RIVET	SPEC. DWG.	
				MATERIAL	TPE	DATE	2010.05.19
				FINISH		DRAWN	Eric
				COLOR	BLACK	CHECK	
PART NUMBER	DRAWING NUMBER		UNLESS OTHERWISE SPECIFIED TOLERANCE	APPROVED			
BUB-5G	BUB-5G		SEE ABOVE				
SIZE	SCALE	UNIT	REV				
A4	2:1	mm	A				