



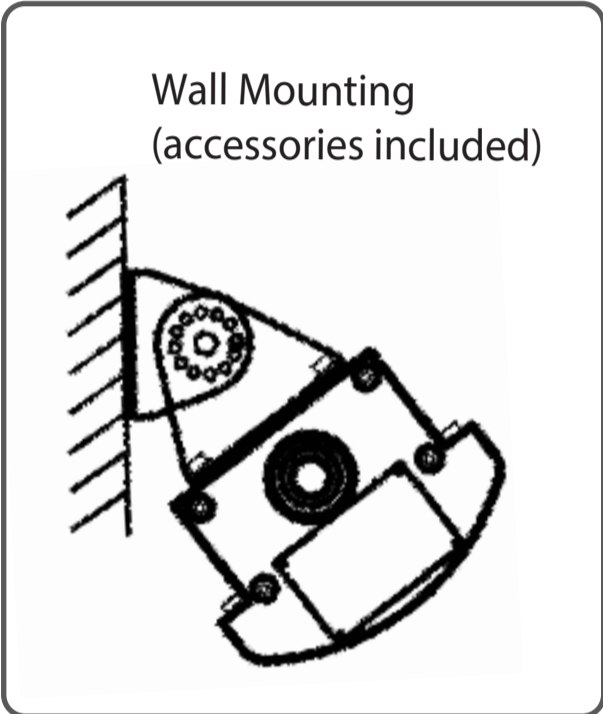
specifications

CRI	Voltage	Ambient Temp (F)	Dimensions	Material	IP Rating	Efficacy	Beam Angle	Warranty	Case QTY
80	100-277 V ⚡	-40° - 149°	50' 3.75" 6.30"	copper free aluminum housing	IP 66	140 LM / W	120°	6 years	1 pcs

select your fixture

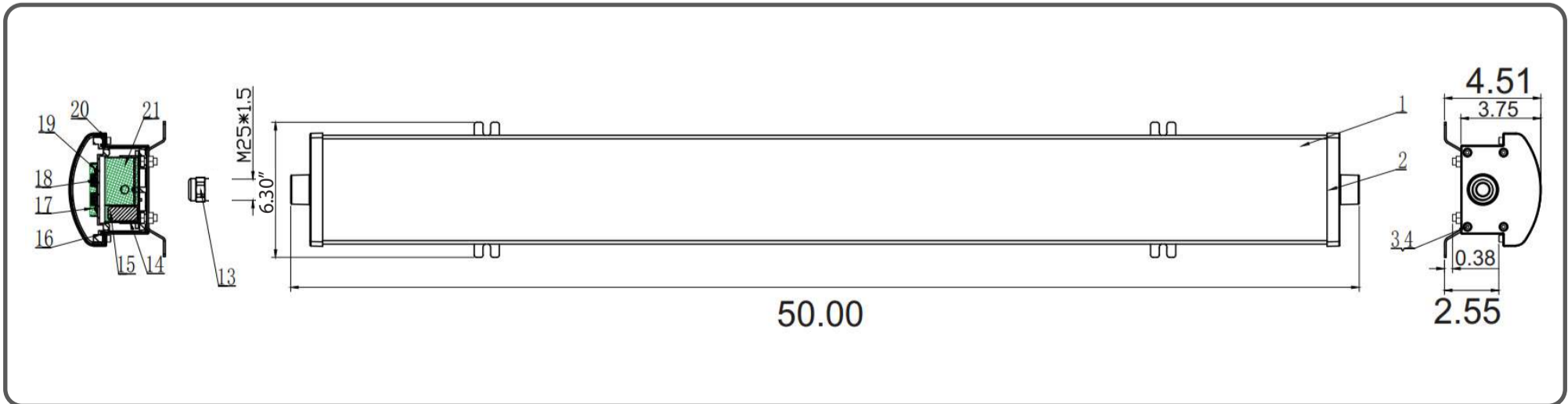
Part Number	Color Temp	Consumption	Lumen Output	Emergency Driver
GI-EPFLF-4C250-C1D2	5000K	60W	8,400	No

Default Mounting



- Features
- Rated for high temperatures, humidity, dust and vapor locations
  - Heavy duty and high impact resistance
  - Various installation options for particular applications
  - 0-10V Dimmable

Dimensional Diagram



Not all product variations listed on this page may be DLC qualified. Visit [www.designlights.org/search](http://www.designlights.org/search) to confirm qualification.

