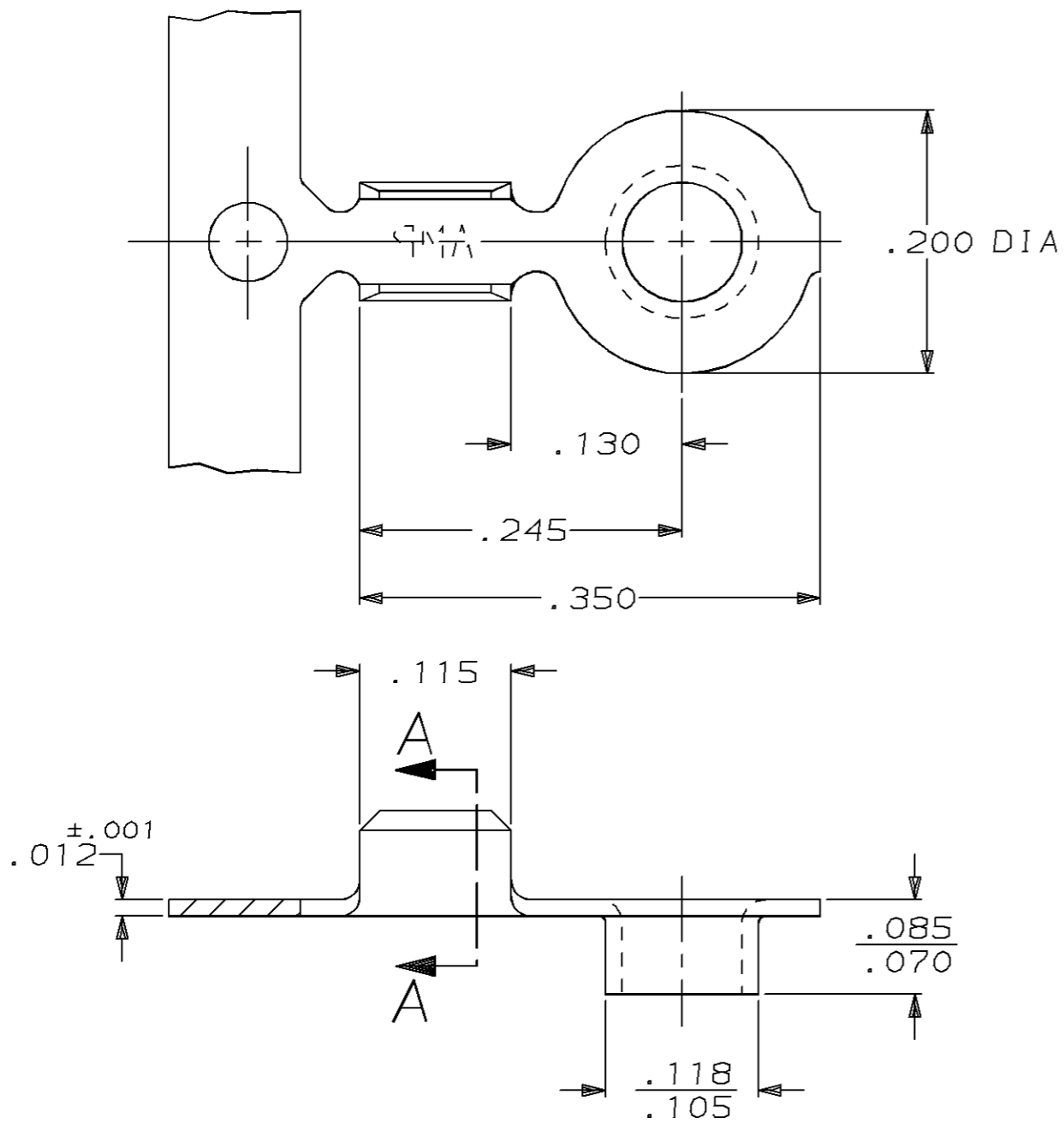
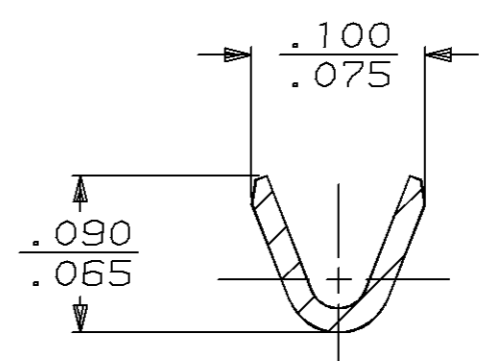


THIS DRAWING IS UNPUBLISHED. RELEASED FOR PUBLICATION, 19  
 © COPYRIGHT 19 BY AMP INCORPORATED. ALL INTERNATIONAL RIGHTS RESERVED.

LOC	DIST	P	F	ZONE	LTR	REVISIONS	DATE	APPD
AF	50				H	REVISED PER 0710-0221-96	22/MAY/96	PF/GY



1 CONTINUOUS STRIP ON REELS



SECTION A-A  
SCALE 10:1

.180	F	.062	.038	20
			.035	22
			.035	24
STRIP LENGTH ±.015	TYPE	WIDTH	±.002 HEIGHT	WIRE
WIRE BARREL CRIMP				

DO NOT SCALE PRINT. UNLESS SPECIFIED DIMENSIONS IN INCHES TOLERANCES ON: 2 PLC DEC ± - 3 PLC DEC ± .015 ANGLES ± -		DR 3/29/90 P FORTNEY
MATERIAL ANNEALED BRASS		CHK 3/29/90 JR RUTH
FINISH		APPD 3/29/90 G YETTER
		APPD 3/29/90 R KUZO
		PRODUCT SPEC
		APPLICATION SPEC
		WEIGHT -

24-20 AWG		61463-1
WIRE RANGE		PART NO
AMP Incorporated Harrisburg, PA 17105-3608		
NAME RING, EXTRUDED		
SIZE B	CAGE CODE 00779	DRAWING NO 61463
SCALE 8:1	SHEET 1 OF 1	