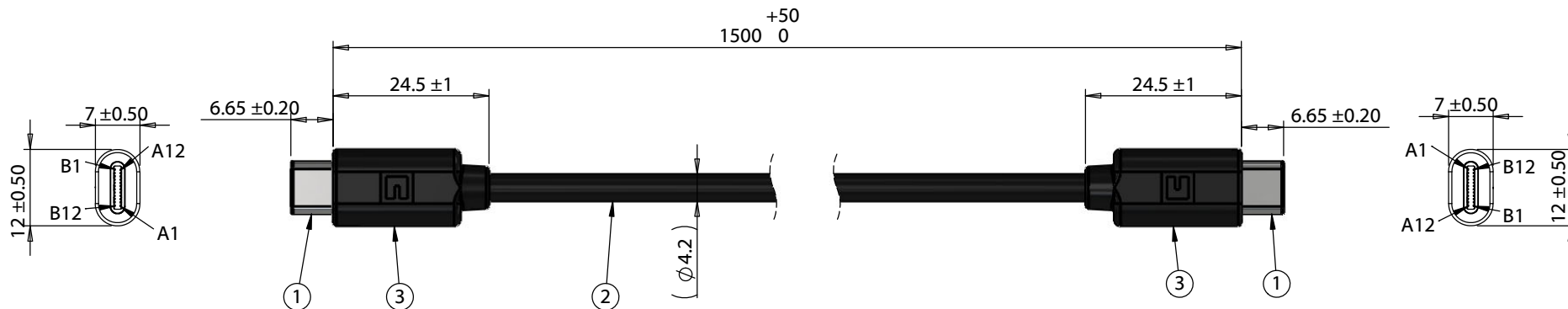


ITEM NO.	PART NUMBER	DESCRIPTION	QTY.	COMPONENT NOTES
1	50-00477	Connector, USB C 3.1 plug, molding style	2	
2	30-01379	Wire, 16C, 5PR + 6C, 34 to 24 AWG, Non-UL, 30V, 60C, 4.2 mm, shielded, VW-1, TPE, USB 3.1	1	
3	24-00113	Overmold, USB 3.1 C plug	2	TPE/PVC, black



Wiring diagram		
50-00477	Wire	50-00477
Pin (Signal)		Pin (Signal)
A5 (CC)	Red (32 AWG)	A5 (CC)
A6 (D+)	Green (32 AWG)	A6 (D+)
A7 (D-)	White (32 AWG)	A7 (D-)
A2 (TX1+)	Purple (34 AWG)	B11 (RX1+)
A3 (TX1-)	Orange (34 AWG)	B10 (RX1-)
B11 (RX1+)	White (34 AWG)	A2 (TX1+)
B10 (RX1-)	Red (34 AWG)	A3 (TX1-)
B2 (TX2+)	White (34 AWG)	A11 (RX2+)
B3 (TX2-)	Green (34 AWG)	A10 (RX2-)
A11 (RX2+)	Blue (34 AWG)	B2 (TX2+)
A10 (RX2-)	Yellow (34 AWG)	B3 (TX2-)
A8 (SBU1)	Yellow (32 AWG)	B8 (SBU2)
B8 (SBU2)	Blue (32 AWG)	A8 (SBU1)
A4, B4, A9, B9 (VBUS)	Red (24 AWG)	A4, B4, A9, B9 (VBUS)
A1, B1, A12, B12, Shell (GND)	Black (24 AWG) & Shield	A1, B1, A12, B12, Shell (GND)

Notes:
 Cable meets USB 3.1 Gen 2 requirements
 20 V / 3.0 A max
 Functionally equivalent components may be substituted

Revision:	Date:	Description:	Prepared:	Notes:	<h1>TENSILITY</h1> <p>tel 1.541.323.3228 800 877.670.7118 fax 1.541.323.4202 web tensility.com</p>
A	6/23/2020	Initial release	AG <small>Digitally signed by AG Date: 2020.06.23 11:29:47 -07'00'</small>		
			Verified:	Function test: no open, no short circuit, no intermittent	Size: Part number: A 10-03674
			AW <small>Digitally signed by AW Date: 2020.06.23 14:10:09 -07'00'</small>	Description:	
			Dimensions are in millimeters. Tolerances: X: ± 0.5 mm X.X: ± 0.3 mm X.XX: ± 0.05 mm	Cable, 1500 mm, USB 3.1 C Male 50-00477 to same, USB 3.1, 30-01379 wire	Scale: 1:1

5

4

3

2

1