

Using the TPS40190EVM-001

A 12V Input, 1.5V Output, 10A Synchronous Buck Converter

System Power Management – DC/DC Controllers

1 INTRODUCTION

The TPS40190EVM-001 evaluation module (EVM) is a synchronous buck converter providing a fixed 1.5V output at up to 10A from a 12V input bus. The EVM is designed to start up from a single supply, so no additional bias voltage is required for start-up. The module uses the TPS40190 Reduced Pin Count Synchronous Buck Controller.

1.1 DESCRIPTION

TPS40190EVM-001 is designed to use a regulated 12V (10V-14V) bus to produce a high current, regulated 1.5V output at up to 10A of load current. The TPS40190EVM-001 is design to demonstrate the TPS40190 in a typical regulated bus to low-voltage application while providing a number of test points to evaluate the performance of the TPS40190 in a given application. The EVM can be modified to support output voltages from 0.9V to 3.3V by changing a single set resistor.

1.2 APPLICATIONS

- Non-Isolated Medium Current Point of Load and low voltage bus converters.
- Networking Equipment
- Telecommunications Equipment
- DC Power Distributed Systems

1.3 FEATURES

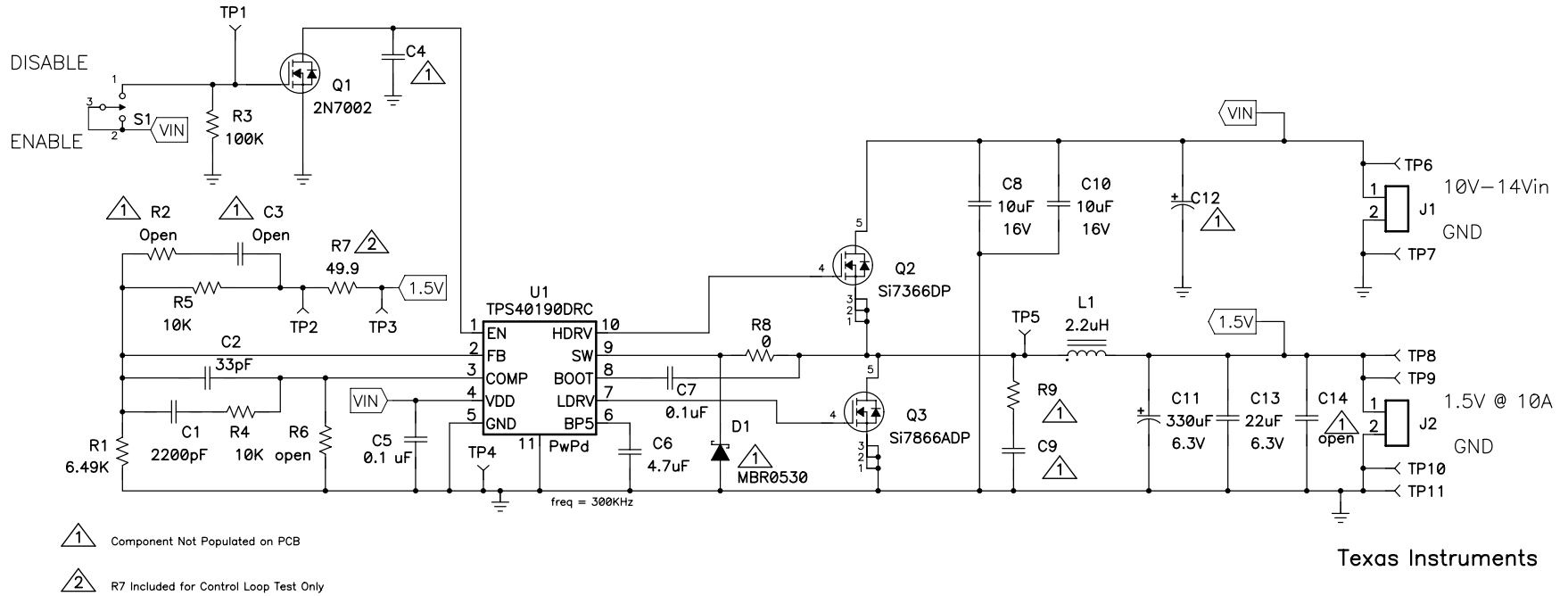
- 10V - 14V input range
- 1.5V fixed output, adjustable with single resistor
- 10Adc Steady State Output Current
- 300kHz switching frequency (Fixed by TPS40190)
- Single Main Switch N-channel MOSFET and Single Synchronous Rectifier N-channel MOSFET
- Double Sided 3" x 3" PCB with all components on top side
- Active Converter uses less than 1.2 square inches – 1.775 x 0.670
- Convenient test points for probing critical waveforms and non-invasive loop response testing

2 TPS40190EVM-001 ELECTRICAL PERFORMANCE SPECIFICATIONS

Parameter	Notes and Conditions	Min	Typ	Max	Units
INPUT CHARACTERISTICS					
Input Voltage Range		10		14	V
Max Input Current	$V_{IN} = 10V, I_{OUT} = 10A$		2		A
No-Load Input Current	$V_{IN} = 14V, I_{OUT} = 0A$		100		mA
OUTPUT CHARACTERISTICS					
Output Voltage	$R6 = 6.49k, R5 = 10k$	1.45	1.50	1.55	V
Output Voltage Regulation	Line Regulation ($10V < V_{IN} < 14V, I_{OUT} = 5A$) Load Regulation ($0A < I_{OUT} < 10A, V_{IN} = 12V$)			1	%
Output Voltage Ripple	$V_{IN} = 14V, I_{OUT} = 10A$		25	50	mVpp
Output Load Current		0		10	A
Output Over Current			23		A
SYSTEM CHARACTERISTICS					
Switching Frequency		240	300	360	kHz
Peak Efficiency	$V_{OUT} = 1.5V, 8A < I_{OUT} < 12A$ $V_{12V_IN} = 10V$ $V_{12V_IN} = 12V$ $V_{12V_IN} = 14V$		87 85 83		%
Full Load Efficiency	$V_{OUT} = 1.5V, I_{OUT} = 15A$ $V_{12V_IN} = 10V$ $V_{12V_IN} = 12V$ $V_{12V_IN} = 14V$		84 83 81		%

Table 1: TPS40190EVM-001 Electrical & Performance Specifications

3 SCHEMATIC



Texas Instruments

TPS40190EVM-001

Figure 1: TPS40190EVM-001 Power Stage / Control Schematic
For Reference Only, See Table 3: Bill of Materials for Specific Values

3.1 ADJUSTING OUTPUT VOLTAGE (R1)

The regulated output voltage can be adjusted within a limited range by changing the ground resistor in the feedback resistor divider (R1). The output voltage is given by the formula

$$V_{VOUT} = V_{VREF} \times \frac{R5+R1}{R1}$$

Where $V_{VREF} = 0.591V$ and $R5 = 10K\Omega$

Table 2 contains common values for R1 to generate popular output voltages. TPS40190EVM-001 is stable through these output voltages but the efficiency may suffer as the power stage is optimized for the 1.5V output.

V _{OUT}	R1
3.3V ¹	2.15K
2.5V ¹	3.09K
2.25V	3.57K
2.0V	4.22K
1.8V	4.87K
1.5V	6.49K
1.2V	9.76K

Table 2: Adjusting V_{OUT} with R1

3.2 ADJUSTING SHORT CIRCUIT PROTECTION (R6)

The TPS40190 uses a selectable current limit for short circuit protection. The current limit is selected from 3 levels by placing a resistor at R6. The TPS40190 compares the voltage drop across the high-side FET (VDD to SW) to an internal reference voltage selected during start-up. The voltage levels are shown in Table 3.

V _{SCP}	R6
160mV	3.9 K
320mV	OPEN
420mV	12 K

Table 3: Adjusting V_{SCP} with R6

The current before declaring short circuit protection can be determined by dividing the V_{SCP} by the R_{DS(ON)} of the High-Side FET (Q2)

3.3 DISABLE (TP1 & SW1)

TPS40190EVM-001 provides both a Disable input (TP1) and a Disable switch (SW1) to allow the user to evaluate the TPS40190's Enable Function. When the switch is ON or TP1 is pulled high, Q1 pulls EN (U1 Pin 1) to ground and disables the TPS40190 IC.

¹ For Output Voltages greater than 2.5V, Change C11 to 330µF 4V or higher PosCAP

TEST SET UP

3.4 EQUIPMENT

3.4.1 VOLTAGE SOURCE

V_{12V_IN}

The input voltage source (V_{12V_IN}) should be a 0-15V variable DC source capable of 5A_{dc}. Connect V_{12V_IN} to J1 as shown in Figure 3.

3.4.2 METERS

A1: 0-5A_{dc}, ammeter

V1: V_{12V_IN} , 0-15V voltmeter

V2: V_{1V5_OUT} 0-5V voltmeter

3.4.3 LOADS

LOAD1

The Output Load (LOAD1) should be an Electronic Constant Current Mode Load capable of 0-15A_{dc} @ 1.5V

3.4.4 OSCILLOSCOPE

OSCILLOSCOPE

A Digital or Analog Oscilloscope can be used to measure the ripple voltage on V_{OUT} . The Oscilloscope should be set for 1M Ω impedance, 20MHz Bandwidth, AC coupling, 1 μ s/division horizontal resolution, 20mV/division vertical resolution for taking output ripple measurements. TP 9 and TP 10 can be used to measure the output ripple voltage by placing the oscilloscope probe tip through TP 9 and holding the ground barrel to TP 10 as shown in Figure 3. For a hands free approach, the loop in TP 10 can be cut and opened to cradle the probe barrel. Using a leaded ground connection may induce additional noise due to the large ground loop area.

3.4.5 Recommended Wire Gauge

V_{12V_IN} to J1

The connection between the source voltage, V_{12V_IN} and J1 of the TPS40190EVM-001 can carry as much as 3 A_{dc}. The minimum recommended wire size is AWG #16 with the total length of wire less than 4 feet (2 feet input, 2 feet return).

J2 to LOAD1 (Power)

The power connection between J2 of TPS40190EVM-001 and LOAD1 can carry as much as 15A_{dc}. The minimum recommended wire size is 2x AWG #16, with the total length of wire less than 4 feet (2 feet output, 2 feet return).

3.4.6 OTHER

FAN

This evaluation module includes components that can get hot to the touch, because this EVM is not enclosed to allow probing of circuit nodes, a small fan capable of 200-400 lfm is required to reduce component surface temperatures to prevent user injury. The EVM should not be left unattended while powered. The EVM should not be probed while the fan is not running.

3.5 EQUIPMENT SETUP

Shown in Figure 3 is the basic test set up recommended to evaluate the TPS40190EVM-001. Please note that although the return for J1 and J2 are the same, the connections should remain separate as shown in Figure 2.

3.5.1 Procedure

1. Working at an ESD workstation, make sure that any wrist straps, bootstraps or mats are connected referencing the user to earth ground before power is applied to the EVM. Electrostatic smock and safety glasses should also be worn.
2. Prior to connecting the DC input source, V_{12V_IN} , it is advisable to limit the source current from V_{12V_IN} to 5.0A maximum. Make sure V_{12V_IN} is initially set to 0V and connected as shown in Figure 2.
3. Connect the ammeter A1 (0-5A range) between V_{12V_IN} and J1 as shown in Figure 2.
4. Connect voltmeter V1 to TP6 and TP7 as shown in Figure 2.
5. Connect LOAD1 to J2 as shown in Figure 2. Set LOAD1 to constant current mode to sink 0Adc before V_{12V_IN} is applied.
6. Connect voltmeter, V2 across TP8 and TP11 as shown in Figure 2.
7. Connect Oscilloscope probe to TP9 and TP10 as shown in Figure 3.
8. Place Fan as shown in Figure 2 and turn on, making sure air is flowing across the EVM.

3.5.2 Diagram

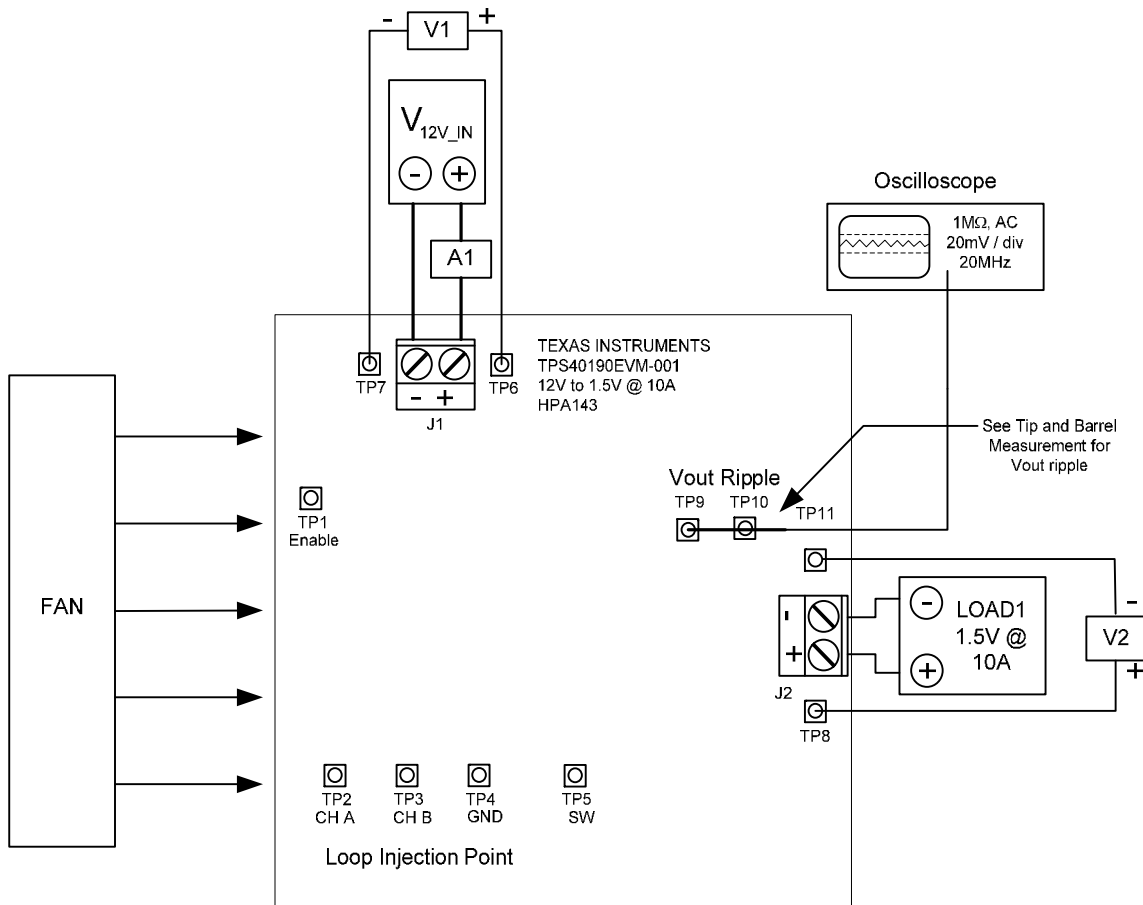


Figure 2: TPS40190EVM-001 Recommended Test Set-Up

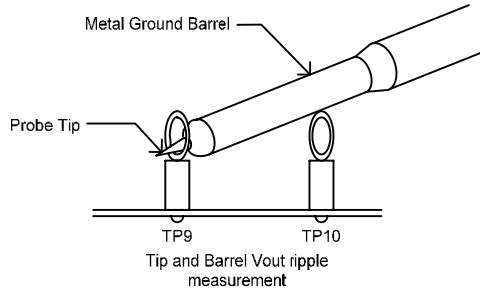


Figure 3: Output Ripple Measurement - Tip & Barrel using TP9 and TP10

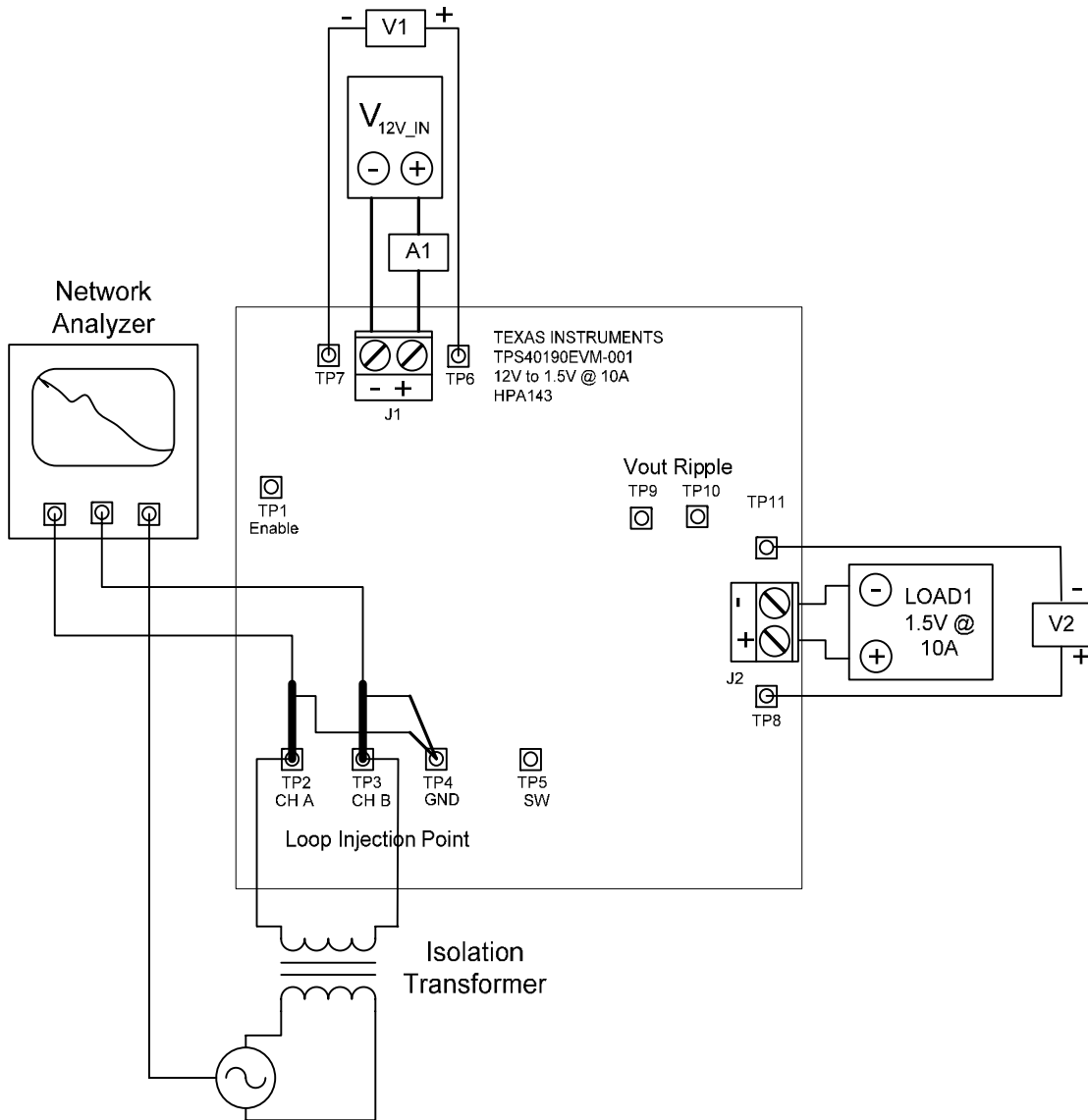


Figure 4: Control Loop Measurement Setup

3.6 START UP / SHUT DOWN PROCEDURE

1. Increase V_{12V_IN} from 0V to 10Vdc.
2. Vary LOAD1 from 0 – 10A
3. Vary V_{12V_IN} from 10Vdc to 14Vdc
4. Decrease LOAD1 to 0A.

3.7 CONTROL LOOP GAIN & PHASE MEASUREMENT PROCEDURE

1. Connect 1kHz – 1MHz Isolation Transformer to TP2 and TP3 as show in Figure 4
2. Connect Input Signal Amplitude Measurement Probe (Channel A) to TP2 as shown in Figure 4
3. Connect Output Signal Amplitude Measurement Probe (Channel B) to TP3 as shown in Figure 4
4. Connect Ground Lead of Channel A and Channel B to TP 4 as shown in Figure 4
5. Inject 25mV or less signal across R7 through Isolation Transformer
6. Sweep Frequency from 1kHz to 1MHz with 10Hz or lower post filter
7. Control Loop Gain can be measured by $20 \times \text{LOG} \left(\frac{\text{Channel B}}{\text{Channel A}} \right)$
8. Control Loop Phase is measured by the Phase difference between Channel A and Channel B
9. Disconnect Isolation Transformer from TP2 and TP3 before making other measurements (Signal Injection into Feedback may interfere with accuracy of other measurements)

3.8 EQUIPMENT SHUTDOWN

1. Shut Down Oscilloscope
2. Shut down LOAD1
3. Shut down V_{12V_IN}
4. Shut down FAN

4 TPS40190EVM TYPICAL PERFORMANCE DATA & CHARACTERISTIC CURVES

Figure 5 & Figure 6 present typical performance curves for the TPS40190EVM-001. Since actual performance data can be affected by measurement techniques and environmental variables, these curves are presented for reference and may differ from actual field measurements.

4.1 EFFICIENCY

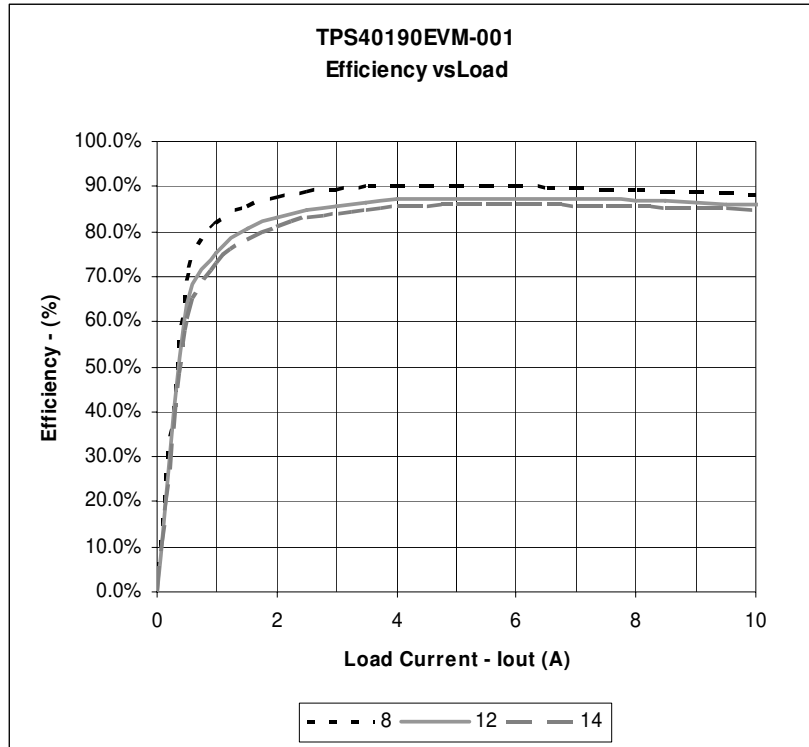


Figure 5: TPS40190EVM-001 Efficiency

V_{IN} = 10-14V, V_{OUT} = 1.5V I_{OUT} = 0-10A

4.2 LINE & LOAD REGULATION

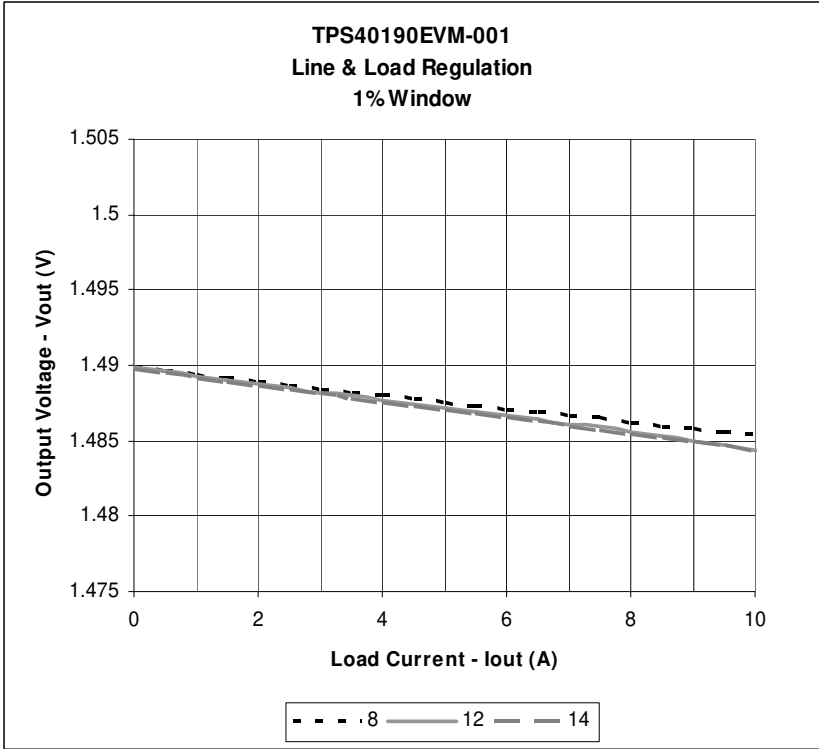


Figure 6: TPS40190EVM-001 Line & Load Regulation

5 EVM ASSEMBLY DRAWINGS AND LAYOUT

The following figures (Figure 7 through 12) show the design of the TPS40190EVM-001 printed circuit board. The EVM has been designed using a Double Sided, 2oz copper-clad circuit board 3.0" x 3.0" with all components on the top side to allow the user to easily view, probe and evaluate the TPS40190 control IC in a practical application. Moving components to both sides of the PCB or using additional internal layers can offer additional size reduction for space constrained systems.

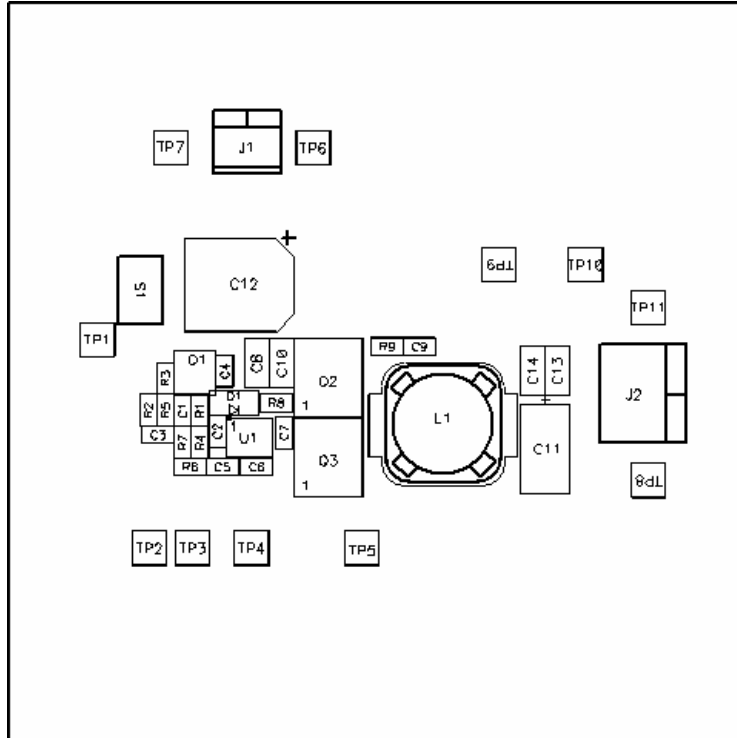


Figure 7: TPS40190EVM-001 Component Placement (Viewed from Top)

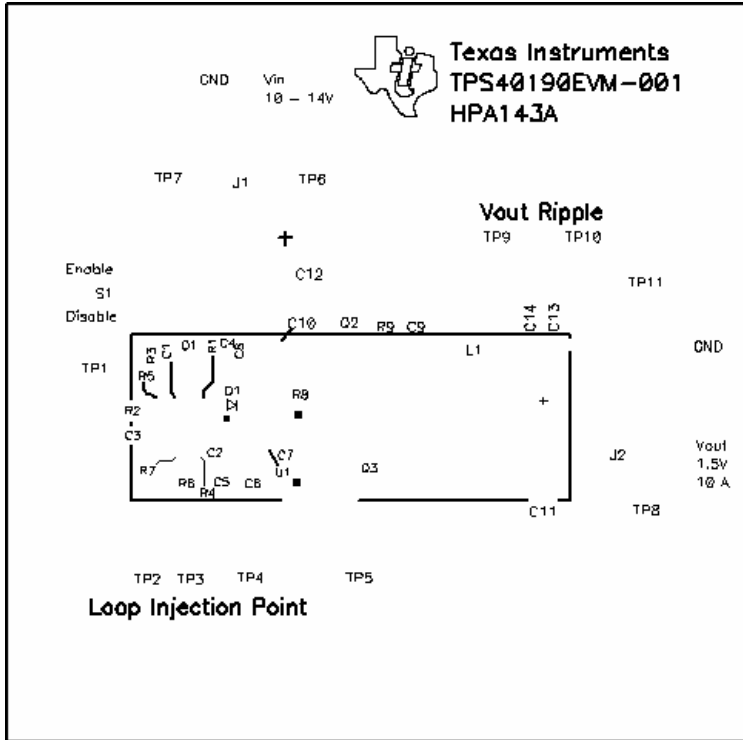


Figure 8: TPS40190EVM-001 Silkscreen (Viewed from Top)

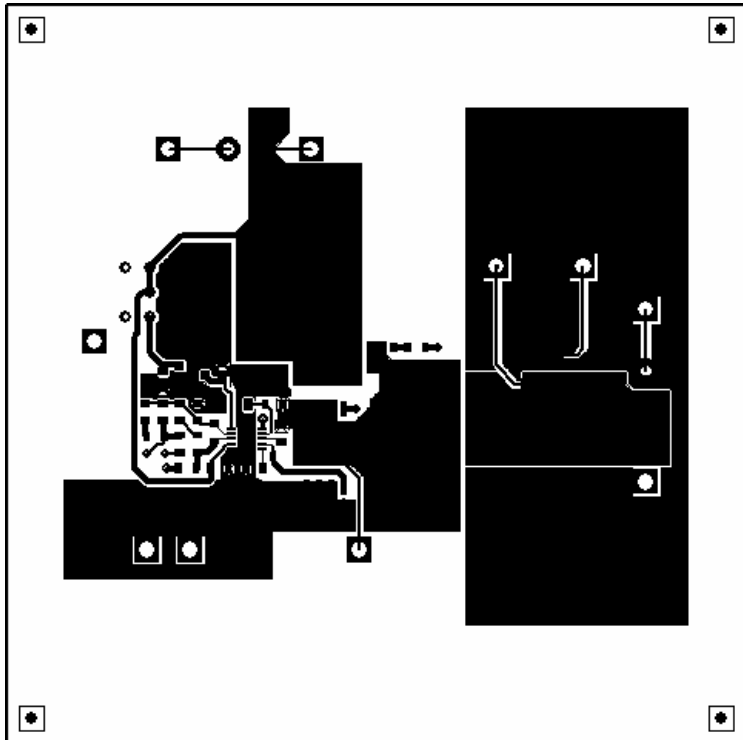


Figure 9: TPS40190EVM-001 Top Copper (Viewed from Top)

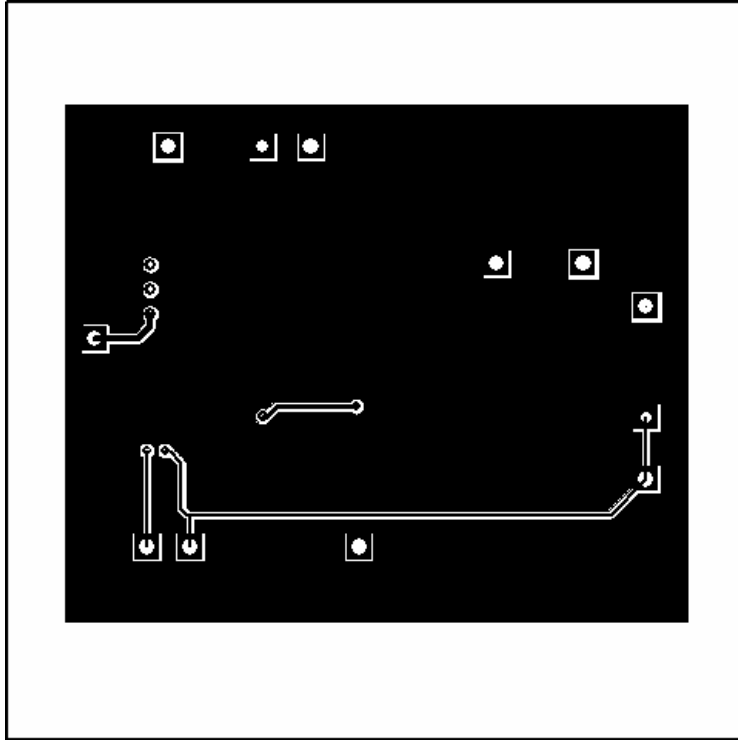


Figure 10: TPS40190EVM-001 Bottom Copper (X-Ray View from Top)

6 LIST OF MATERIALS

Table 3 lists the EVM components as configured according to the schematic shown in Figure 1.

TPS40190EVM-001					
Count	RefDes	Description	Size	Mfr	Part Number
1	C1	Capacitor, Ceramic, 2200pF, 50V, X7R	0603	Std	Std
1	C11	Capacitor, PosCAP, 330uF, 6.3V, 20%	7343	Sanyo	6TPB330M
0	C12	Capacitor, Aluminum, open	8x10mm		
1	C13	Capacitor, Ceramic, 22uF, 6.3V, X5R	1206	TDK	C3216X5R0J226KT
0	C14	Capacitor, Ceramic, open	1206		
1	C2	Capacitor, Ceramic, 33pF, 50V, C0G	0603	Std	Std
0	C3, C4, C9	Capacitor, Ceramic, open	0603		
2	C5, C7	Capacitor, Ceramic, 0.1uF, 16V, X5R	0603	Std	Std
1	C6	Capacitor, Ceramic, 4.7uF, 6.3V, X5R	0603	TDK	C1608X5R0J475KT
2	C8, C10	Capacitor, Ceramic, 10uF, 16V, X5R	1206	TDK	C3216X5R1C106KT
0	D1	Diode, Schottky, 0.5-A, 30-V	SOD123	On Semi	MBR0530T1
1	J1	Terminal Block, 2-pin, 6-A, 3.5mm	0.27 x 0.25	OST	ED1514
1	J2	Terminal Block, 2-pin, 15-A, 5.1mm	0.40 x 0.35	OST	ED1609
1	L1	Inductor, SMT, 2.2uH, 12.5A, 4 milliohm	0.492 sq"	Coiltronics	DR127-2R2
1	Q1	MOSFET, N-ch, 60-V, 115-mA, 1.2-Ohms	SOT23	Vishay	2N7002
1	Q2	MOSFET, NChannel, 20V, 16A, 9 milliohm	PWRPAK S0-8	Vishay	Si7366DP
1	Q3	MOSFET, NChannel, 20V, 40A, 3.0 milliohm	PWRPAK S0-8	Vishay	Si7866ADP
1	R1	Resistor, Chip, 6.49K-Ohms, 1/16-W, 1%	0603	Std	Std
0	R2, R6, R9	Resistor, Chip, Open, 1/16-W, 1%	0603	Std	Std
1	R3	Resistor, Chip, 100K Ohms, 1/16-W, 1%	0603	Std	Std
2	R4, R5	Resistor, Chip, 10K Ohms, 1/16-W, 1%	0603	Std	Std
1	R7	Resistor, Chip, 49.9 Ohms, 1/16-W, 1%	0603	Std	Std
1	R8	Resistor, Chip, Zero Ohms, 1/16-W, 1%	0603	Std	Std
1	S1	Switch, ON-ON Mini Toggle	0.28 x 0.18		633-G12AP
4	TP1, TP2, TP3, TP5	Test Point, White, Thru Hole	0.125 x 0.125	Farnell	5012
4	TP4, TP7, TP10, TP11	Test Point, Black, Thru Hole	0.125 x 0.125	Farnell	5011
3	TP6, TP8, TP9	Test Point, Red, Thru Hole	0.125 x 0.125	Farnell	5010
1	U1*	IC, Low cost synchronous buck controller	DRC10	TI	TPS40190DRC
1	--	PCB, 2-Layer FR4, 3.0" x 3.0" x 0.062"	3.0" x 3.0"	Any	TPS40190EVM-001
4	--	Bumpon, Transparent	0.44" x 0.2"	3M	SJ5303

Table 4: TPS40190EVM-001 Bill of Materials

IMPORTANT NOTICE

Texas Instruments Incorporated and its subsidiaries (TI) reserve the right to make corrections, modifications, enhancements, improvements, and other changes to its products and services at any time and to discontinue any product or service without notice. Customers should obtain the latest relevant information before placing orders and should verify that such information is current and complete. All products are sold subject to TI's terms and conditions of sale supplied at the time of order acknowledgment.

TI warrants performance of its hardware products to the specifications applicable at the time of sale in accordance with TI's standard warranty. Testing and other quality control techniques are used to the extent TI deems necessary to support this warranty. Except where mandated by government requirements, testing of all parameters of each product is not necessarily performed.

TI assumes no liability for applications assistance or customer product design. Customers are responsible for their products and applications using TI components. To minimize the risks associated with customer products and applications, customers should provide adequate design and operating safeguards.

TI does not warrant or represent that any license, either express or implied, is granted under any TI patent right, copyright, mask work right, or other TI intellectual property right relating to any combination, machine, or process in which TI products or services are used. Information published by TI regarding third-party products or services does not constitute a license from TI to use such products or services or a warranty or endorsement thereof. Use of such information may require a license from a third party under the patents or other intellectual property of the third party, or a license from TI under the patents or other intellectual property of TI.

Reproduction of TI information in TI data books or data sheets is permissible only if reproduction is without alteration and is accompanied by all associated warranties, conditions, limitations, and notices. Reproduction of this information with alteration is an unfair and deceptive business practice. TI is not responsible or liable for such altered documentation. Information of third parties may be subject to additional restrictions.

Resale of TI products or services with statements different from or beyond the parameters stated by TI for that product or service voids all express and any implied warranties for the associated TI product or service and is an unfair and deceptive business practice. TI is not responsible or liable for any such statements.

TI products are not authorized for use in safety-critical applications (such as life support) where a failure of the TI product would reasonably be expected to cause severe personal injury or death, unless officers of the parties have executed an agreement specifically governing such use. Buyers represent that they have all necessary expertise in the safety and regulatory ramifications of their applications, and acknowledge and agree that they are solely responsible for all legal, regulatory and safety-related requirements concerning their products and any use of TI products in such safety-critical applications, notwithstanding any applications-related information or support that may be provided by TI. Further, Buyers must fully indemnify TI and its representatives against any damages arising out of the use of TI products in such safety-critical applications.

TI products are neither designed nor intended for use in military/aerospace applications or environments unless the TI products are specifically designated by TI as military-grade or "enhanced plastic." Only products designated by TI as military-grade meet military specifications. Buyers acknowledge and agree that any such use of TI products which TI has not designated as military-grade is solely at the Buyer's risk, and that they are solely responsible for compliance with all legal and regulatory requirements in connection with such use.

TI products are neither designed nor intended for use in automotive applications or environments unless the specific TI products are designated by TI as compliant with ISO/TS 16949 requirements. Buyers acknowledge and agree that, if they use any non-designated products in automotive applications, TI will not be responsible for any failure to meet such requirements.

Following are URLs where you can obtain information on other Texas Instruments products and application solutions:

Products		Applications	
Amplifiers	amplifier.ti.com	Audio	www.ti.com/audio
Data Converters	dataconverter.ti.com	Automotive	www.ti.com/automotive
DSP	dsp.ti.com	Broadband	www.ti.com/broadband
Interface	interface.ti.com	Digital Control	www.ti.com/digitalcontrol
Logic	logic.ti.com	Military	www.ti.com/military
Power Mgmt	power.ti.com	Optical Networking	www.ti.com/opticalnetwork
Microcontrollers	microcontroller.ti.com	Security	www.ti.com/security
RFID	www.ti-rfid.com	Telephony	www.ti.com/telephony
Low Power Wireless	www.ti.com/lpw	Video & Imaging	www.ti.com/video
		Wireless	www.ti.com/wireless

Mailing Address: Texas Instruments, Post Office Box 655303, Dallas, Texas 75265
Copyright © 2007, Texas Instruments Incorporated