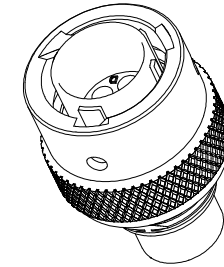
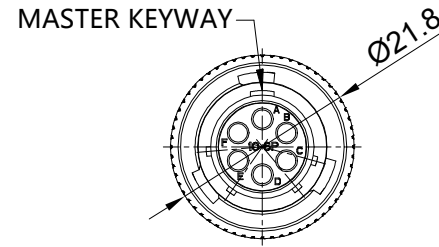
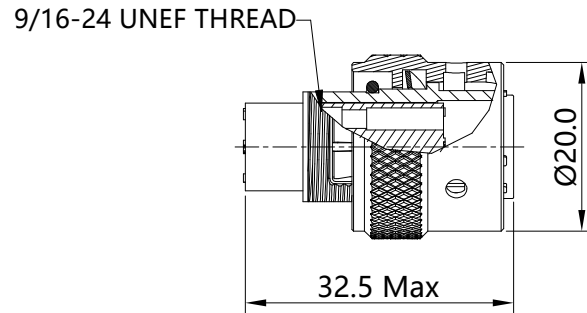


REVISIONS					
REV	ECO	DESCRIPTION	DATE	BY	APPR
B1	--	RELEASED DRAWING	JUN-26-2014	BEN	TOMMY
B2	--	MODIFY THE INSERT LETTER LOCATION	MAY-20-2016	BEN	TOMMY
B3	--	UPDATE RATED VOLTAGE	NOV-11-2022	JUN	TOMMY



NOTES: (UNLESS OTHERWISE SPECIFIED)

1. MATERIAL:

- SHELL: ZINC ALLOY, NICKEL PLATED.
- INSERT: THERMOPLASTIC, UL94 V-0.
- COUPLING NUT: AL ALLOY, NICKEL PLATED.
- WAVE WASHER: STAINLESS STEEL.
- O-RING: NBR/SILICONE RUBBER.

2. SPECIFICATIONS:

2.1 RATED CURRENT:

- 2.1.1 STAMPED CONTACT: 5A (MAX) .
- 2.1.2 MACHINED CONTACT : 7.5A (MAX) .

(B3)

- 2.2 RATED VOLTAGE: 250V (AC/DC) .
- 2.3 OPERATING TEMPERATURE: SEE CHART.
- 2.4 DIELECTRIC WITHSTANDINGVOLTAGE: LESS THAN 2 MILLIAMPS CURRENT LEAKAGE@1500 VOLTS AC.
- 2.5 INSULATION RESISTANCE: 5000 MEGOHMS MIN.
- 2.6 IP--CLASS: IP67.
- 2.7 MATING CYCLES DURABILITY: 500 CYCLES MIN.
- 2.8 RoHS COMPLIANT.

3. SUITABLE CONTACTS : 20# CONTACTS.

4. ALL DIMENSIONS ARE FOR REFERENCE USE ONLY.

KEY POS	PART NUMBER	
	-40°C ~ 105°C	-40°C ~ 125°C
N	RT0W6106PNH	RT0W6106PNH03
W	RT0W6106PWH	RT0W6106PWH03
X	RT0W6106PXH	RT0W6106PXH03
Y	RT0W6106PYH	RT0W6106PYH03
Z	RT0W6106PZH	RT0W6106PZH03

QUANTITY	PART NUMBER	DESCRIPTION	ITEM
<b>MATERIALS LIST</b>			
<b>UNLESS OTHERWISE SPECIFIED</b> 1) All dimensions are in metric(mm). 2) Tolerances are as follows: 1 PL DEC ±0.30 2 PL DEC ±0.15 3 PL DEC ±0.08 Fractions ±1/64 Angles ±1° 3) Note reference =		<b>SIGNATURES</b> <b>DATE</b> DRAWN: JUN      NOV-11-2022 CHECKED: ORION      DEC-12-2022 ENGINEER: APPROVAL: TOMMY      DEC-14-2022 CUSTOMER:	
<b>MATERIAL SPECIFICATIONS:</b>		 Sine Systems - www.amphenol-sine.com 44724 Morley Drive Clinton Township, MI 48036	
<b>PROCESS SPECIFICATIONS:</b>		ECO-MATE, PLUG, SIZE 10,6POS,PIN.	
<b>NEXT ASSY:</b>		THIS DRAWING IS SUPPLIED FOR INFORMATION ONLY. DESIGN FEATURES, SPECIFICATIONS AND PERFORMANCE DATA SHOWN HEREON ARE THE PROPERTY OF THE AMPHENOL CORPORATION. NO RIGHTS OF REPRODUCTION ARE IMPLIED. ALL DIMENSIONS ARE SUBJECT TO NORMAL MANUFACTURING VARIATIONS.	SCALE: NONE SHEET 1 OF 1
		<b>SIZE</b> <b>TYPE</b> <b>DWG NO:</b> B    C-    RT0W6106P*H*	<b>REVISION</b> B3

TITLE: ECO-MATE, PLUG, SIZE 10,6POS, PIN  
 DWG NO: RT0W6106P\*H\*  
 REV: B3  
 SH: 1  
 OF: 1