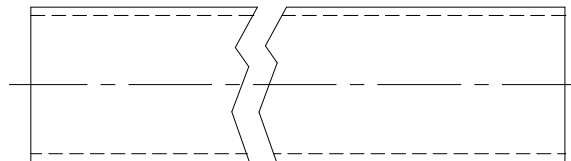
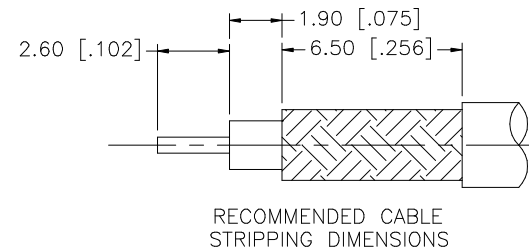
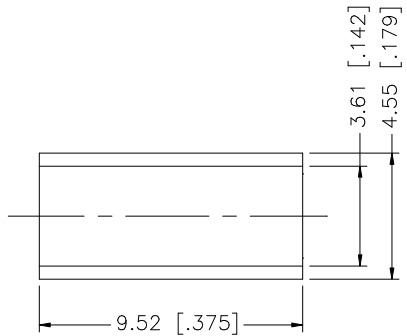
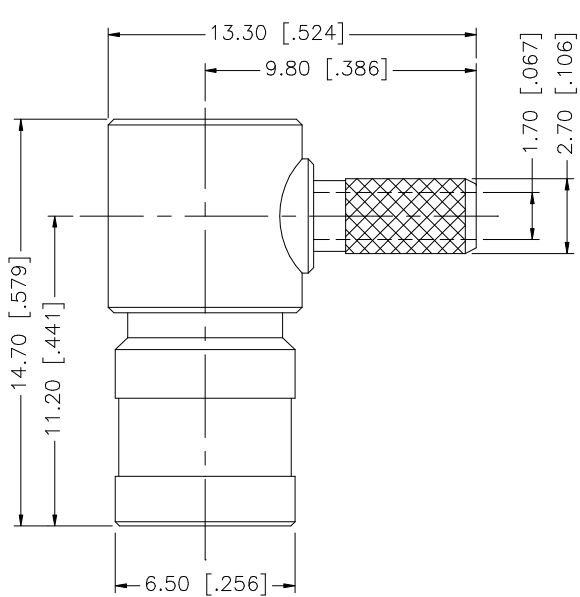
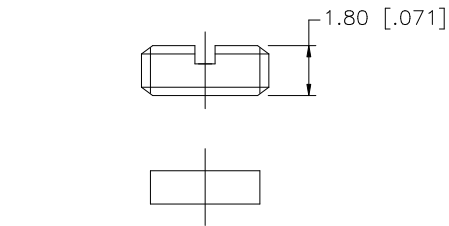


REV.	DATE	DESCRIPTION
NC	11/24/99	INITIAL RELEASE
A	07/20/05	UPDATE DRAWING FORMAT
B	05/02/07	REVISE BODY, BARREL, FERRULE AND STRIPPING DIMS



NOTES:

1. CRIMPED FERRULE HEX CRIMP SIZE .151"
2. CONTACT PIN TO SOLDER.

8				
7	HEAT SHRINK TUBING			1
6	COVER	BRASS	GOLD	1
5	FERRULE	COPPER	GOLD	1
4	INSULATOR	PE	NATURAL	1
3	CONTACT PIN	BER. COPPER	GOLD	1
2	INSULATOR	TEFLON	NATURAL	1
1	BODY	BRASS	GOLD	1
	DESCRIPTION	MATERIAL	FINISH	QTY

UNLESS OTHERWISE SPECIFIED DIMENSIONS ARE IN MILLIMETERS. DIMENSIONS IN [ ] ARE IN INCHES AND FOR CUSTOMER REFERENCE ONLY.

UNLESS OTHERWISE SPECIFIED TOLERANCES FOR MILLIMETERS ARE:  
0.5 - 8mm ± 0.20mm  
8 - 30mm ± 0.40mm  
30 - 120mm ± 0.50mm

UNLESS OTHERWISE SPECIFIED TOLERANCES FOR INCHES ARE:  
.020 - .315 = ± 0.007"  
.315 - 1.180 = ± 0.015"  
1.180 - 4.724 = ± 0.020"

DO NOT SCALE DRAWING

APPROVALS	DATE
DRAWN G.R.S.	05/02/07
CHECKED	
ISSUED	
SHEET 1 OF 1	
CAD FILE	C:/142/142176.DWG

<b>Amphenol Connex</b>			
PART DESCRIPTION SMB R/A CRIMP PLUG (FOR RG-174/U, 316/U, 188/U DOUBLE BRAID)			
PART NO. 142176			
DWG. NO.	142176.DWG	REV.	B
SIZE	A	SCALE	NA