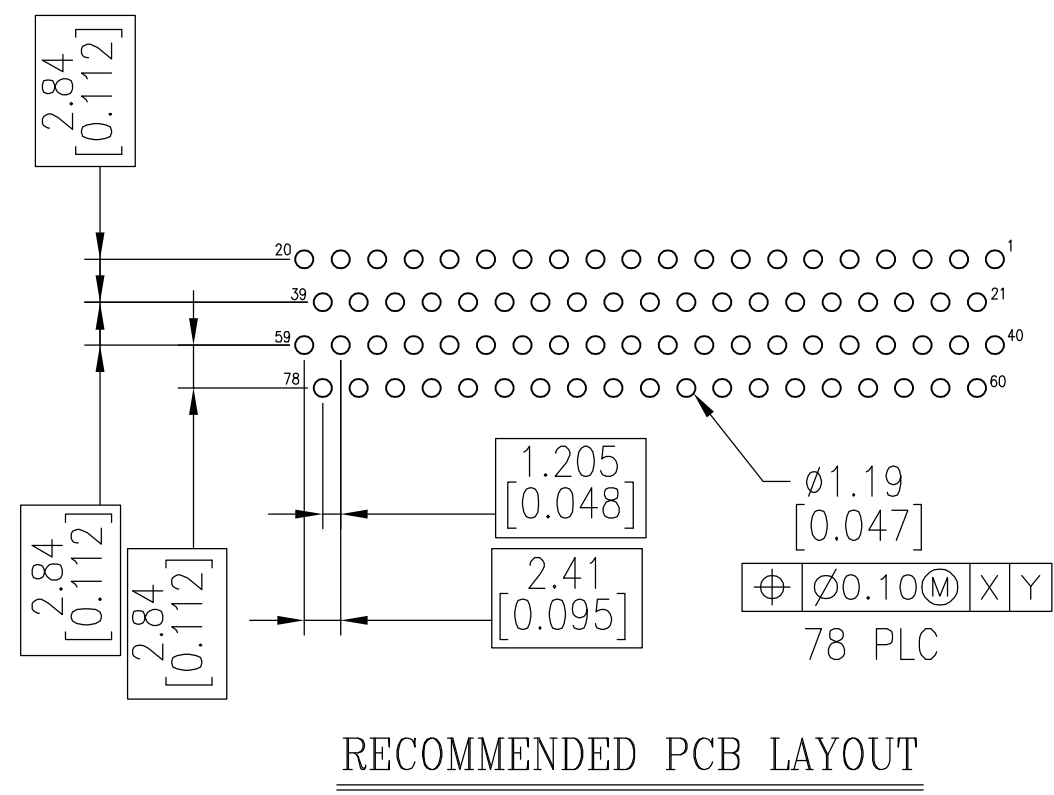
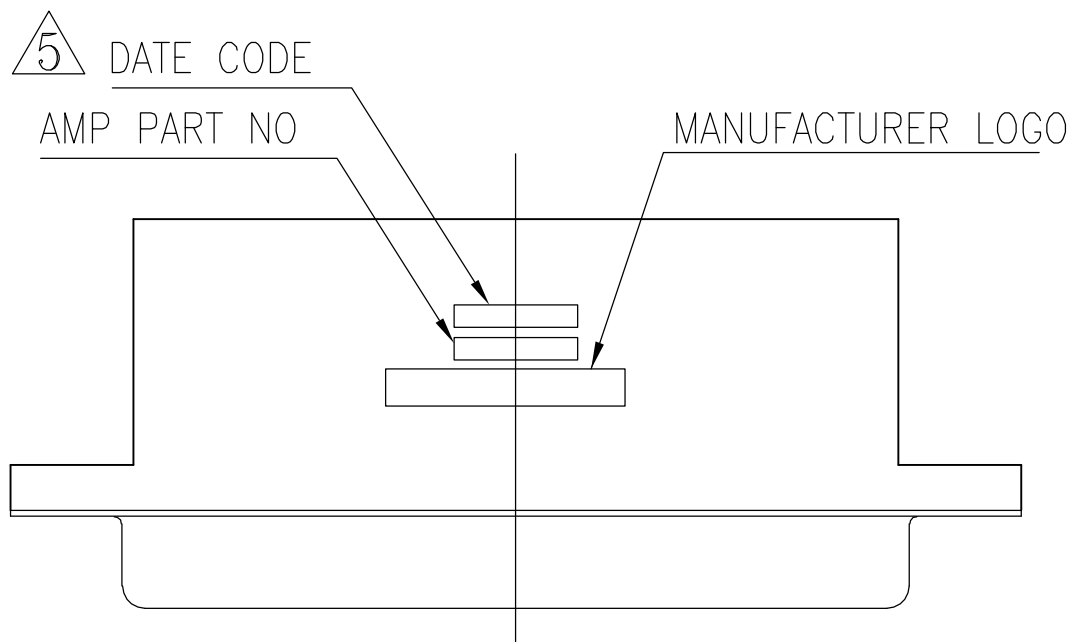


THIS DRAWING IS UNPUBLISHED. RELEASED FOR PUBLICATION
 © COPYRIGHT BY TYCO ELECTRONICS CORPORATION. ALL RIGHTS RESERVED.

LOC		DIST		REVISIONS			
P	LTR	DESCRIPTION	DATE	DWN	APVD		
GP	00						
		0	RELEASED PER EC 0513-0056-05	20JUN05	BM	SB	

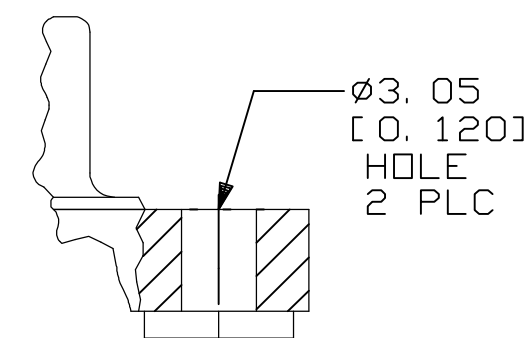
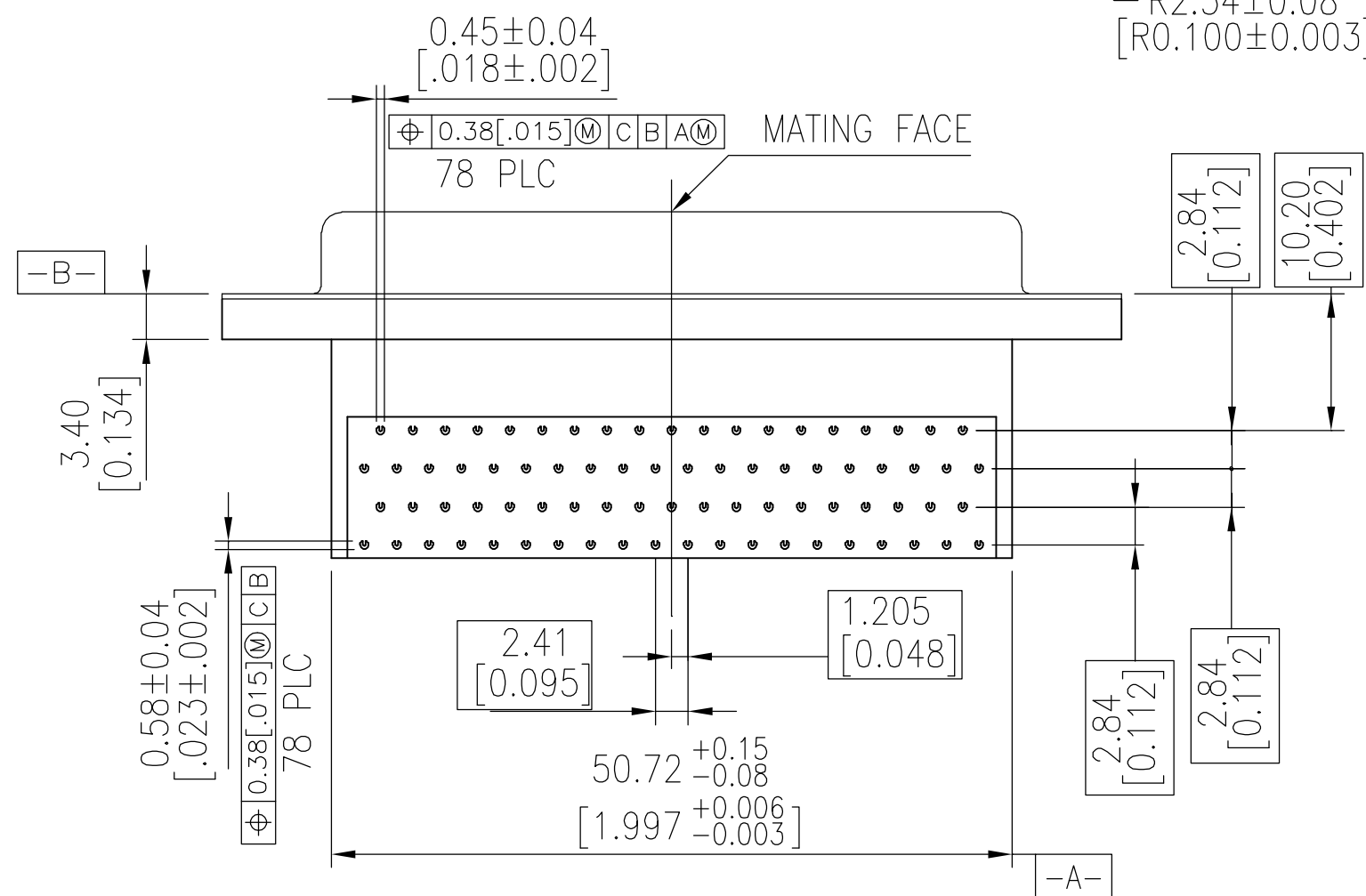
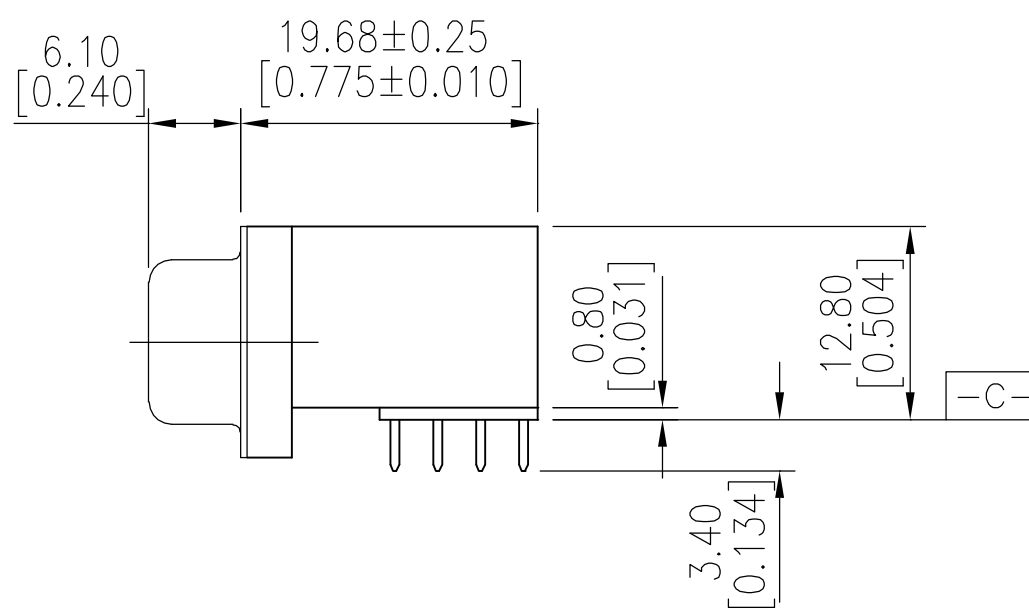
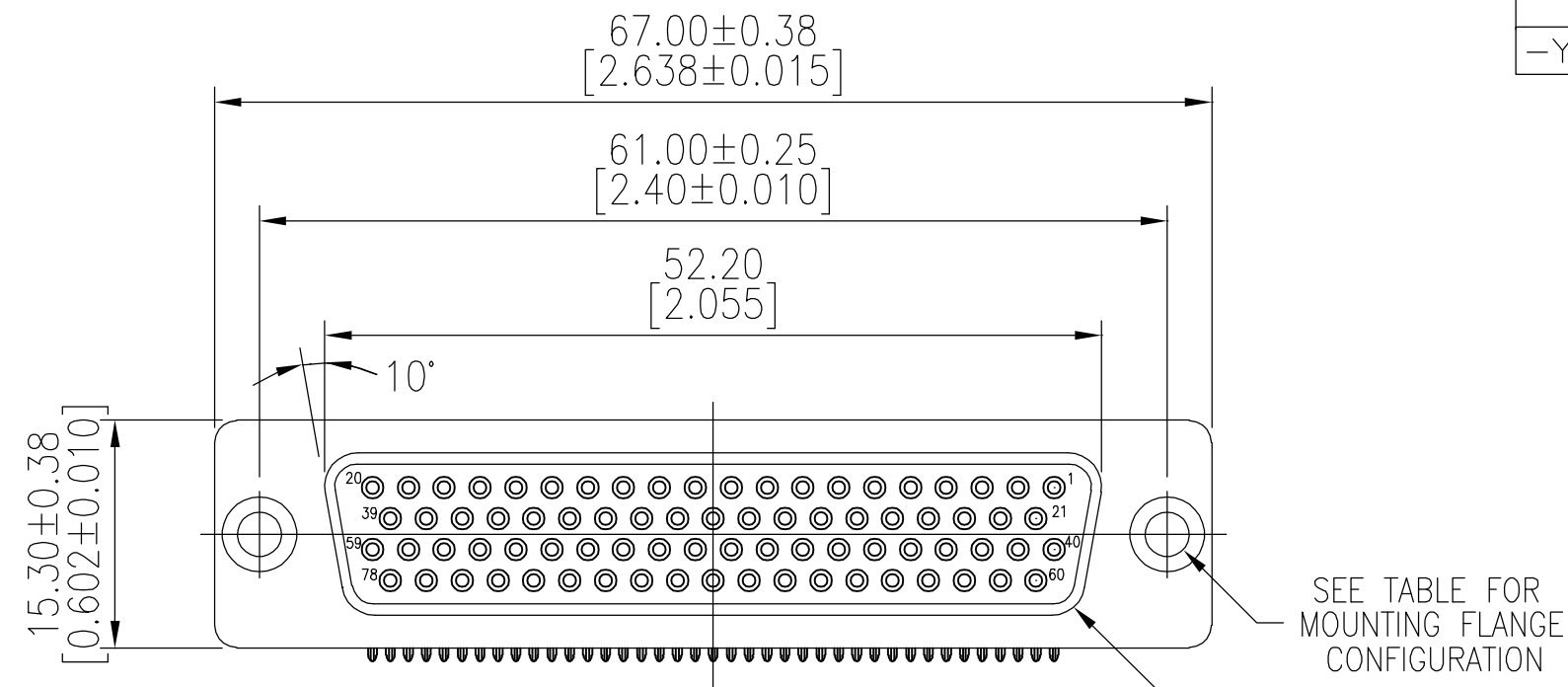


1. HOUSING MATERIAL: PBT, GLASS FILLED, BLACK, UL 94V-0 RATED.
2. CONTACT MATERIAL: PHOSPHOR BRONZE.
3. CONTACT FINISH: GOLD PLATE IN MATING AREA (SEE TABLE), 120µ" MIN TIN PLATE ON SOLDER TAIL, BOTH OVER 50µ" MIN NICKEL UNDERPLATE.
4. SHELL: STEEL, NICKEL PLATE.

5 FOUR DIGIT DATE CODE IN THIS FORMAT.

Year 01 45 Manufacturing Week

6 DATUMS -X- & -Y- TO BE ESTABLISHED BY CUSTOMER.



Detail A

Tray	Detail A	Gold flash	5788147-3
Tray	Detail A	15µ" MIN	5788147-2
Tray	Detail A	30µ" MIN	5788147-1
Packaging	Mounting Flange Configuration	CONTACT MATING AREA FINISH	PART NUMBER

DIMENSIONS:		TOLERANCES UNLESS OTHERWISE SPECIFIED:		APVD		NAME	
mm		0 PLC ± -		22SEPO5	B. MCMASTER	Tyco Electronics Corporation	
		1 PLC ± 0.30		22SEPO5	S. BOLASH	Harrisburg, PA 17105-3608	
		2 PLC ± 0.20		22SEPO5	M. WALMSLEY	AMPLIMITE HD-22	
		3 PLC ± 0.10				78 POS RECEPTACLE, RIGHT ANGLE	
		4 PLC ± -				SIZE	CAGE CODE
		ANGLES ± 2°				A2	00779
MATERIAL	FINISH			WEIGHT	-	DRAWING NO	RESTRICTED TO
						C=5788147	
				CUSTOMER DRAWING		SCALE	SHEET
						4:1	1 of 1
							REV
							0