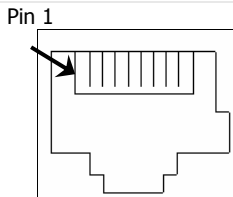


Digi TS, RJ-45 to DB-25 Console Adapter

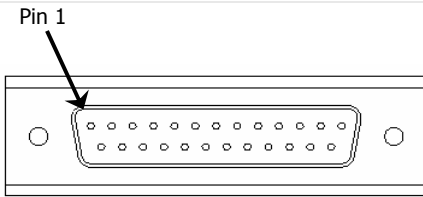
For use with Digi One TS, Portserver TS 2/4/8/16, and Multi-Port Serial Cards with RJ45 connectors

Digi Cable Adapters allow you to connect your serial devices using commercially available CAT 5 cable of any length. Simply plug standard CAT 5 cable into your Digi Product, connect a Cable Adapter to the other end and plug the adapter into your device.

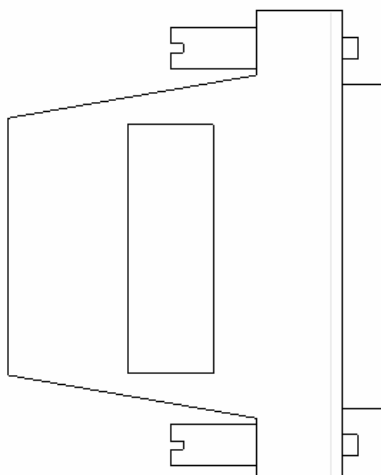
| From RJ-45 | Signal | Direction | Signal | To DB-25 |
|------------|--------|-----------|--------|----------|
| 1 | DCD | ← | DTR | 20 |
| 2 | RTS | → | CTS | 5 |
| 3 | Ground | ↔ | Ground | Shell |
| 4 | TxD | → | RxD | 3 |
| 5 | RxD | ← | TxD | 2 |
| 6 | SG | ↔ | SG | 7 |
| 7 | CTS | ← | RTS | 4 |
| 8 | DTR | ↔ | DSR | 6 |
| | | | DCD | 8 |



Female RJ-45 8-pin



Male DB-25



Cable Adapter not to scale

* Arrows indicate which direction the signal is flowing

Notes:

- All RJ45 cable adapters are 8-pin.
- Altpin should be turned on when using this cable adapter so that DTR will drive DCD (standard usage).
- If altpin is turned off, the hardware signal on RJ45 pin 1 becomes DSR instead of DCD. This alternative can be used if DCD is not required, and DSR is needed instead.
- This cable adapter utilizes the RTS signal of the serial device for hardware flow control (RTS/CTS).

Digi Part Number 76000698 Digi TS DB25M Console Adapter (4-pack)

90000607_A