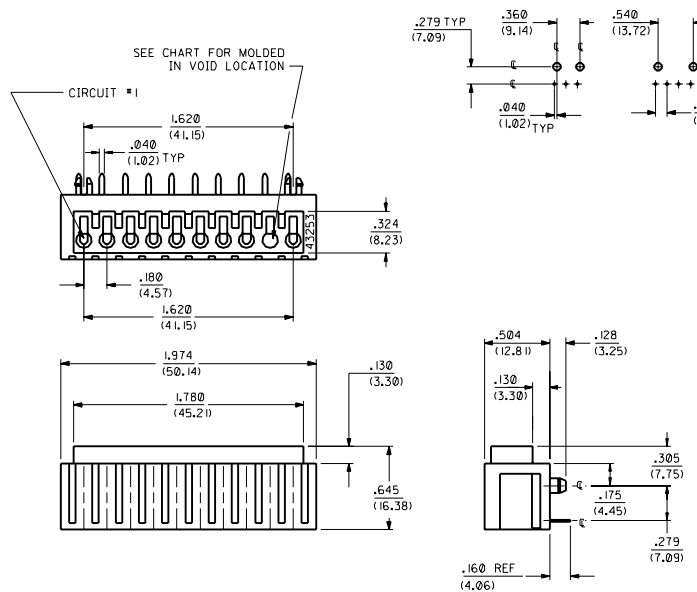


NOTES:

1. FOR USE WITH 16 AWG SOLID & 18 AWG SOLID OR STRANDED WIRE WITH TIN TOP COAT OR 20AWG STRANDED WIRE WITH TIN TOP COAT. INSULATION O.D., .079/-.118.
2. SUGGESTED STRIP LENGTH OF MATED WIRE TO BE WITHIN .320-.380 LONG.
3. FOR PRODUCT SPECIFICATIONS SEE PS-42732.



P.C. BOARD LAYOUT; COMPONENT SIDE  
RECOMMENDED PCB THICKNESS: .062±.005

43254-0061	6	2,4
43254-0101	10	2,4,7,9
43254-0031	3	2
43254-0100	10	NONE
43254-0080	8	NONE
43254-0060	6	NONE
43254-0050	5	NONE
43254-0040	4	NONE
43254-0030	3	NONE
ITEM NO.	CKT. SIZE	MOLDED VOIDS

C	UPDATE PER ICR 093-0339 98-8-10 SAMEC	BI	ADD MAJ QTY ECR U6 942 4-29-96 SAMEC	DIMENSIONS SHOWN METRIC INCH		<input type="checkbox"/> ± 0 <input type="checkbox"/> = 0 <input type="checkbox"/> REVISION ONLY ON CAD SYSTEM TITLE: WIRE TRAP ASSEMBLY	
B3	REL 0061 ECR U70496 96/10/29 SAMEC	B	ADD GAGE PRINT MATCH PART ECR U6923 3-10-95 SAMEC	DIM. INCH 3 PLACE ± .005 2 PLACE ± .01 ± 0.13 1 PLACE ± .025	DIM. METRIC 3 PLACE ± .005 2 PLACE ± .01 ± 0.13 1 PLACE ± .025	MOLEX INCORPORATED SHEET NO. DATE 1551-011 04931 1 OF 1 3/16/93 SEE CHART SDA-43254-#	
B2	A/R 0181 ECR U61440 5-17-96 SAMEC	A	REV'D DIMS & FINAL RELEASE ECR U48144 8/17/94 RE	DIMENSIONS APPLICABLE UNLESS SHOWN OTHERWISE DRWG: EDGLEY    CH'D. BY: LENZ    SCALE: 1:1 APP'D: LENZ		FILE NAME: S-43254-X1    MFG. INCL. INFO. SHOULD NOT BE USED WITHOUT WRITTEN PERMISSION.	
LTB.	REVISIONS	LTB.	REVISIONS	DIMENSIONS SHOWN METRIC INCH <input type="checkbox"/> ± 0 <input type="checkbox"/> = 0 <input type="checkbox"/> REVISION ONLY ON CAD SYSTEM		TITLE: WIRE TRAP ASSEMBLY MOLEX INCORPORATED SHEET NO. DATE 1551-011 04931 1 OF 1 3/16/93 SEE CHART SDA-43254-#	