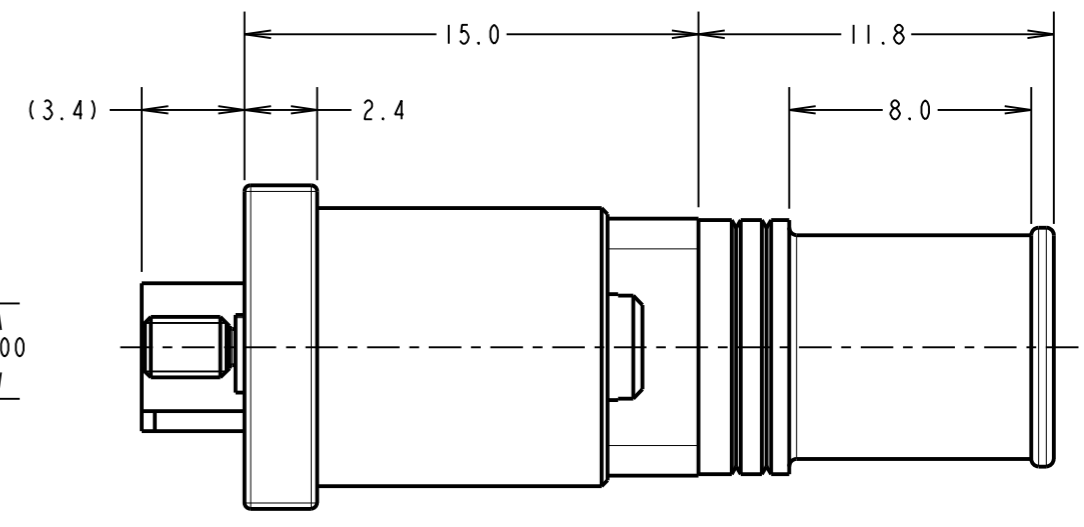
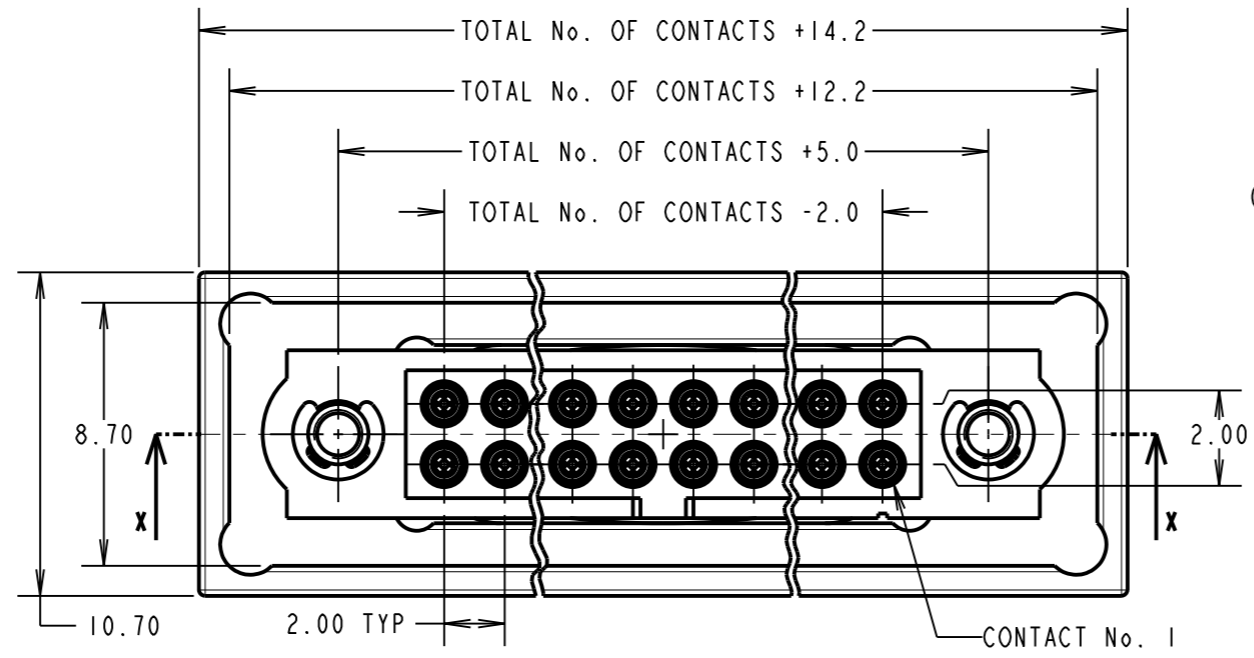


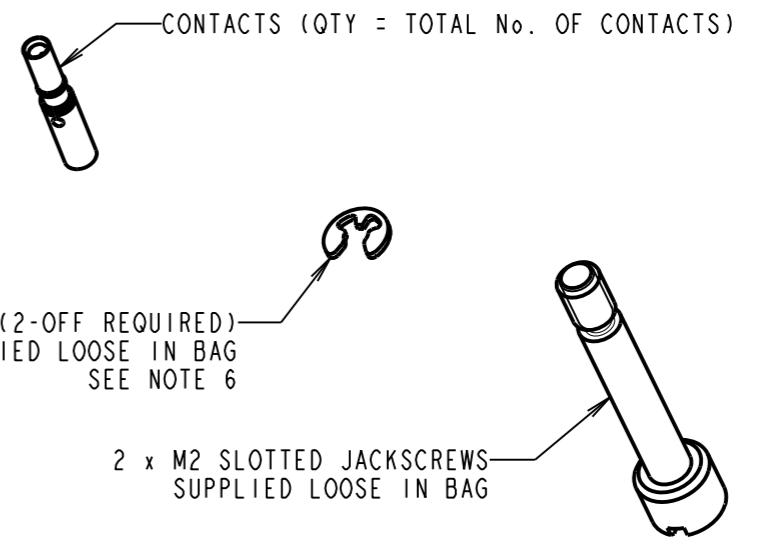
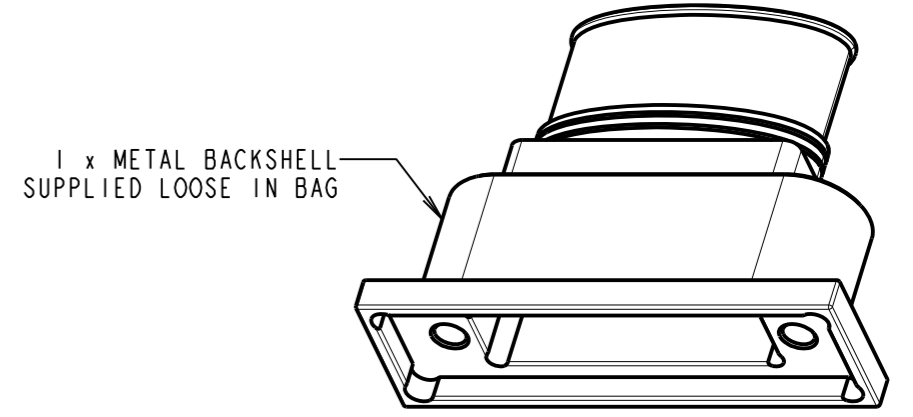
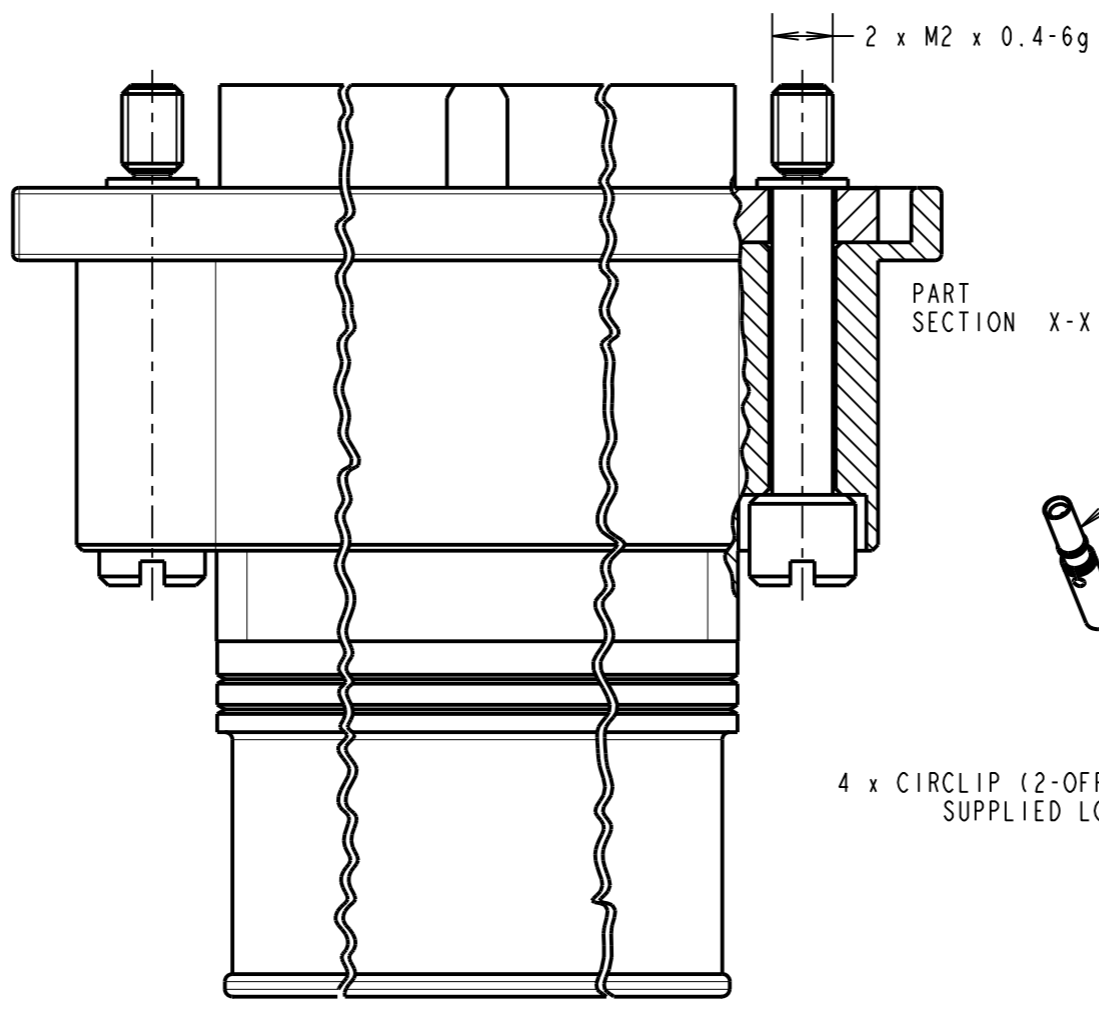
Customer Information Sheet

DRAWING No.: M80-4C1XXXXSI SHEET 2 OF 2 IF IN DOUBT - ASK © NOT TO SCALE THIRD ANGLE PROJECTION ALL DIMENSIONS IN mm

SPECIFICATIONS:
MATERIAL:
 MOULDING = GLASS-FILLED PPS, UL94V-0, BLACK
 CONTACT CLIP = BERYLLIUM COPPER
 CONTACT SHELL = BRASS
 BACKSHELL = ALUMINIUM ALLOY
 BANDIT TIE & J/SCREW = STAINLESS STEEL
FINISH:
CONTACTS
 05 = 0.3µ GOLD CLIP, 0.25-0.3µ GOLD SHELL
 42 = 0.3µ GOLD CLIP, 3.5-5.0µ 100% TIN SHELL OVER NICKEL
BACKSHELL = NICKEL
ELECTRICAL:
 RF ATTENUATION = 10kHz TO 400MHz @ >30dBs
 IN GENERAL ACCORDANCE WITH MIL STD 1377 (1971)
 CURRENT RATING AT 25°C = 3.0A MAX
 CURRENT RATING AT 85°C = 2.2A MAX
 WORKING VOLTAGE = 120V AC/DC
 VOLTAGE PROOF = 360V AC/DC
 CONTACT RESISTANCE = 25 mΩ MAX
 INSULATION RESISTANCE = 100 MΩ MIN
MECHANICAL:
 INSERTION FORCE (∅0.5mm GAUGE) = 2.8N MAX
 WITHDRAWAL FORCE (∅0.5mm GAUGE) = 0.2N MIN
ENVIRONMENTAL:
 TEMPERATURE RANGE = -55°C TO +121°C
PACKING:
 SEE NOTES
 FOR COMPLETE SPECIFICATION, SEE COMPONENT SPECIFICATION C005XX (LATEST ISSUE) AND C042XX (LATEST ISSUE)



- NOTES:**
- CONNECTOR IS SUPPLIED AS A KIT OF PARTS IN A BAG. BAGS WILL BE BULK PACKED INTO BOXES.
 - FOR EXTRA CONTACTS, USE PART No.'s.
 M80-0130001 FOR M80-4C1XX42SI
 M80-0130005 FOR M80-4C1XX05SI
 - FOR M80-4C1XXXXSI THE RECOMMENDED WIRE TYPE = BS 3G 210 TYPE A, PTFE INSULATED 24-28 AWG. MAX INSULATION DIAMETER = ∅1.10mm, STRIP WIRE BY 2.00mm.
 - RECOMMENDED HAND CRIMP TOOL FOR ALL CONTACTS = M22520/2-01 WITH POSITIONER T5747.
 - CONTACT INSERTION & EXTRACTION TOOL = Z80-280.
 - TO APPLY CIRCLIPS USE HARWIN TOOL = Z80-300.
 - SEE TOOLING INSTRUCTION SHEET IS-32 FOR ASSEMBLY DETAILS AVAILABLE AT:
<http://www.harwin.com/downloads/instructions/>
 - 1 BANDIT TIE SUPPLIED PER KIT



ORDER CODE: **M80-4C1XXXXSI**

TOTAL No. OF CONTACTS _____
 06, 10, 14, 20, 26

FINISH CODE _____
 05 - GOLD CLIP, GOLD SHELL
 42 - GOLD CLIP, 100% TIN OVER NICKEL SHELL

EXAMPLE ORDER CODE: CONNECTOR WITH 20 SMALL BORE SIGNAL CONTACTS, GOLD CLIP AND GOLD SHELL
M80-4C12042SI

SB	4	15.03.11	11172
NAME	ISS.	DATE	C/NOTE
APPROVED: S.BENNETT			
CHECKED: S.FLOWER			
DRAWN: S.FLOWER			
CUSTOMER REF.:			
ASSEMBLY DRG:			

HARWIN			THIS DRAWING AND ANY INFORMATION OR DESCRIPTIVE MATTER SET OUT HEREON ARE CONFIDENTIAL AND COPYRIGHT PROPERTY OF THE HARWIN GROUP AND MUST NOT BE DISCLOSED, LOANED, COPIED OR USED FOR MANUFACTURING, TENDERING OR FOR ANY OTHER PURPOSE WITHOUT THEIR WRITTEN PERMISSION.	TOLERANCES X. = ±1mm X.X = ±0.25mm X.XX = ±0.10mm X.XXX = ±0.01mm ANGLES = ±5° UNLESS STATED	MATERIAL: SEE ABOVE FINISH: SEE ABOVE S/AREA: mm ²	TITLE: DATAMATE J-TEK FEMALE CRIMP (SMALL BORE) ASSY WITH METAL BACKSHELL DRAWING NUMBER: M80-4C1XXXXSI	SHT 2 OF 2
HARWIN USA TEL: 603 893 5376 FAX: 603 893 5396 mis@harwin.com	HARWIN Europe (UK) TEL: 023 9231 4545 FAX: 023 9231 4590 mis@harwin.co.uk	HARWIN Asia TEL: +65 6 779 4909 FAX: +65 6 779 3868 mis@harwin.com.sg		M80-4C1XXXXSI			