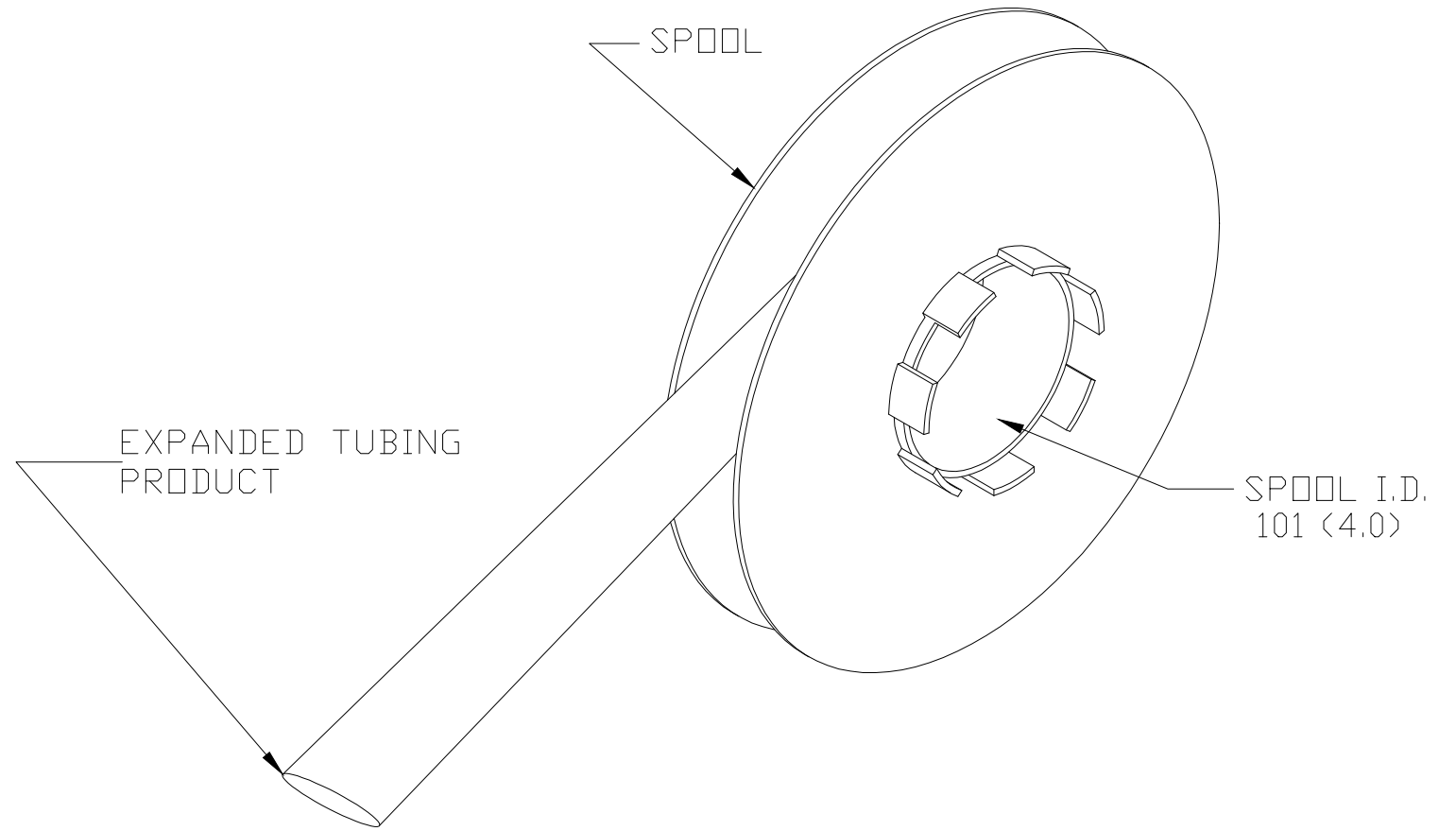
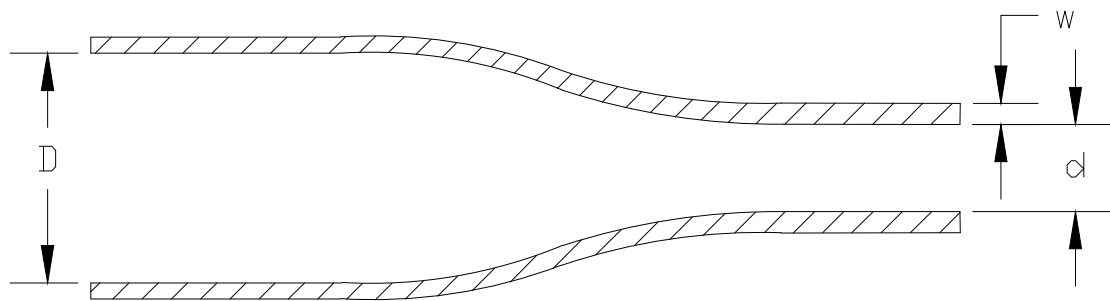
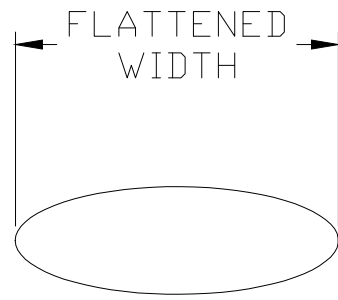



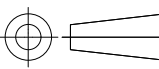
P	LTR	DESCRIPTION	DATE	DWN	APVD
2		INITIAL CUSTOMER DRAWING	20FEB2020	AFK	LS



Product Size	3/32	1/8	3/16	1/4	3/8	1/2	3/4	1	1-1/2
"D" Minimum Supplied I.D.	2.36 (.093)	3.18 (.125)	4.75 (.187)	6.35 (.250)	9.53 (.375)	12.7 (.500)	19.0 (.750)	25.4 (1.00)	38.1 (1.50)
"d" Maximum Recovered I.D.	0.79 (.031)	1.58 (.063)	2.38 (.094)	3.18 (.125)	4.76 (.188)	6.35 (.250)	9.53 (.375)	12.7 (.500)	19.0 (.750)
"w" Recovered Wall Thickness	0.38±0.08 (.015±.003)	0.38±0.08 (.015±.003)	0.38±0.08 (.015±.003)	0.38±0.08 (.015±.003)	0.38±0.08 (.015±.003)	0.38±0.08 (.015±.003)	0.38±0.08 (.015±.003)	0.43±0.10 (.017±.004)	0.43±0.10 (.017±.004)
Minimum Sleeve Flattened Width	4.32 (.170)	5.84 (.230)	8.00 (.315)	10.7 (.420)	15.5 (.610)	20.3 (.799)	30.5 (1.20)	40.4 (1.59)	60.3 (2.37)

NOTES:

1. ALL DIMENSIONS ARE IN MILLIMETERS (inches).

THIS DRAWING IS A CONTROLLED DOCUMENT.		DWN AFK CHK -	19FEB2020	 TE Connectivity					
DIMENSIONS: mm 		TOLERANCES UNLESS OTHERWISE SPECIFIED: 0 PLC ± - 1 PLC ± - 2 PLC ± - 3 PLC ± - 4 PLC ± - ANGLES ± -				APVD LS	20FEB2020	NAME HT-CT OUTSIDE PRINTER SPOOL	
MATERIAL CROSS-LINKED PvdF		FINISH -		PRODUCT SPEC RW-2512	APPLICATION SPEC -	SIZE A3	CAGE CODE -	DRAWING NO C-MCD170015	RESTRICTED TO -
CUSTOMER DRAWING				WEIGHT VARIOUS	SCALE -	SHEET 1 OF 1	REV 2		