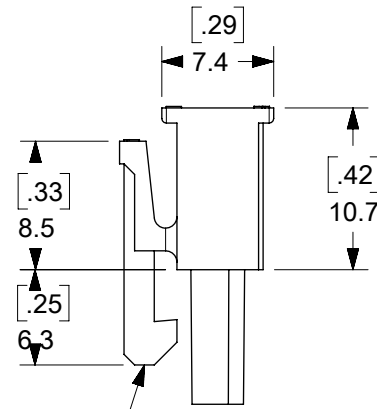
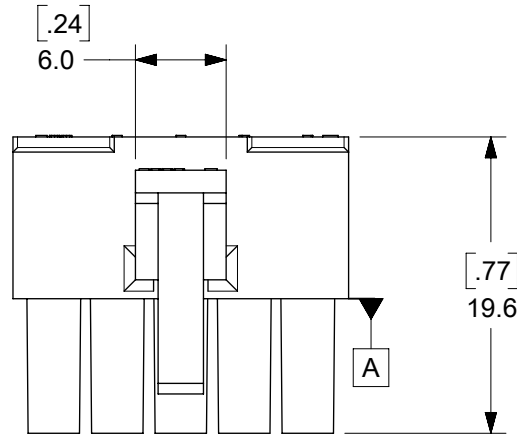
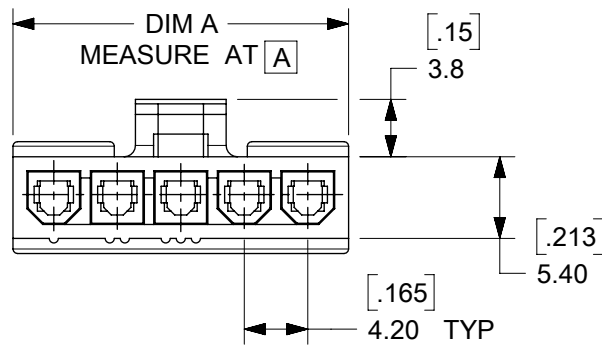


POSITIVE LATCH
SCALE 2:1

PASSIVE LATCH
SCALE 2:1



POSITIVE LATCH

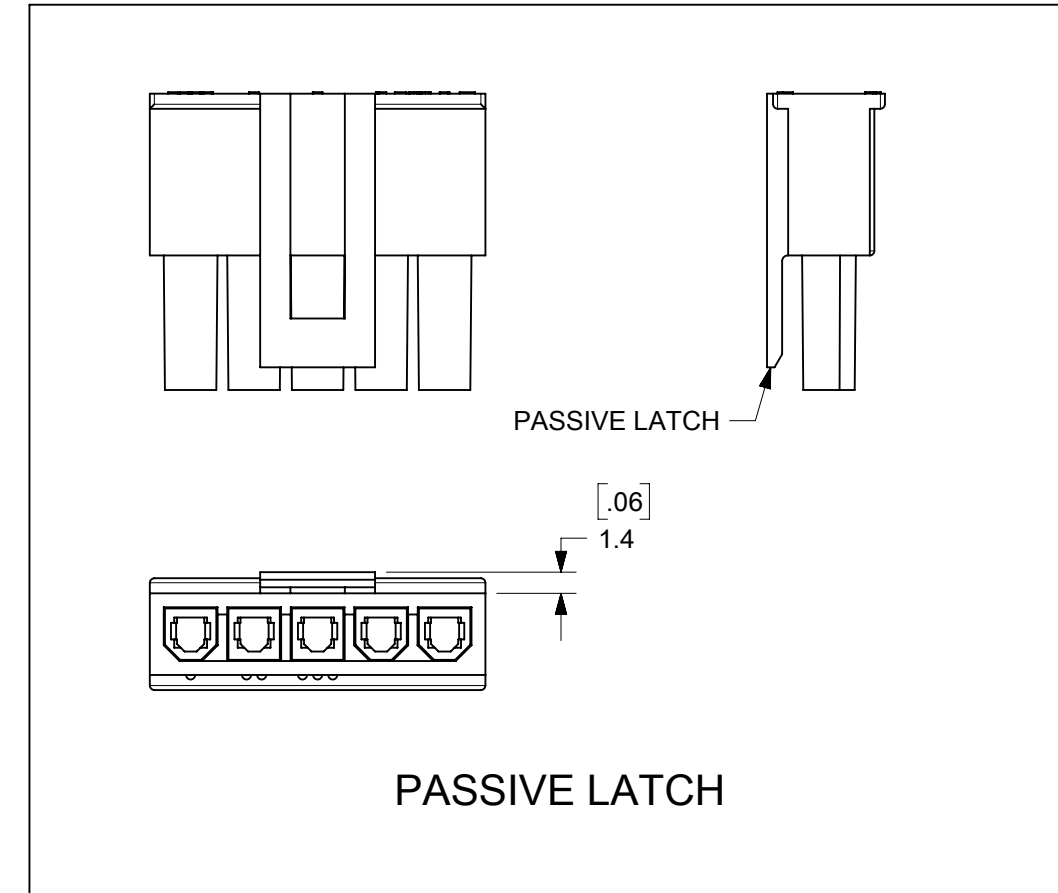


LEGEND:

- 46994- ** * *
- CIRCUIT SIZE _____
- MATERIAL _____
SEE NOTE 1
- CONFIGURATION _____
2= SINGLE ROW, POSITIVE LATCH
4= SINGLE ROW, PASSIVE LATCH

- NOTES:
- 1) MATERIAL:
0=NYLON, UL94 V-2, COLOR: NATURAL,(BEIGE); IEC 60335-1, 5TH EDITION GLOW WIRE CAPABLE.
1=NYLON, UL94 V-2, COLOR:BLACK; IEC 60335-1, 5TH EDITION GLOW WIRE CAPABLE.
 - 2) FINISH: NOT APPLICABLE.
 - 3) PRODUCT SPECIFICATION: PS-5556-001.
 - 4) PACKING: PK-5557-002.
 - 5) PART MATES WITH MOLEX PLUG #172646 AND HEADERS #172647 AND #172648.
 - 6) PART TO BE USED WITH MOLEX FEMALE TERMINAL #5556.
 - 7) PART IS NOT DESIGNED FOR CURRENT SHARING.
 - 8) CONNECTORS ARE NOT TO BE MATED OR UNMATED WHILE CIRCUITS ARE LIVE.
 - 9) WIRES ARE TO BE DRESSED IN SUCH A MANNER TO ALLOW THE TERMINALS TO FLOAT FREELY IN THE POCKET.
 - 10) PART CONFORMS TO CLASS "B" REQUIREMENTS OF COSMETIC SPECIFICATION PS-45499-002 WITH THE EXCEPTION OF DISCOLORATION, FLASH AND SINK MEET CLASS "C" REQUIREMENTS.
 - 11) TEXT ON PART IS FOR REFERENCE ONLY. TEXT AND TEXT LOCATION MAY VARY DEPENDING ON PART NUMBER AND/OR TOOL.
 - 12) BUBBLE IS ACCEPTABLE ON LATCH AREA.

MATERIAL NUMBER	MATERIAL/COLOR	TOOL STATUS	CKT SIZE	LATCH STYLE	DIM A
46994-0212	V-2/BLACK	TOOLED	2	POSITIVE	.378(9.60)
46994-0412	V-2/BLACK	TOOLED	4	POSITIVE	.709(18.00)
46994-0512	V-2/BLACK	TOOLED	5	POSITIVE	.874(22.20)
46994-0612	V-2/BLACK	TOOLED	6	POSITIVE	1.039(26.40)
46994-0712	V-2/BLACK	NOT TOOLED	7	POSITIVE	1.205(30.60)
46994-0514	V-2/BLACK	NOT TOOLED	5	PASSIVE	.874(22.20)
46994-0202	V-2/NATURAL(BEIGE)	TOOLED	2	POSITIVE	.378(9.60)
46994-0402	V-2/NATURAL(BEIGE)	TOOLED	4	POSITIVE	.709(18.00)
46994-0502	V-2/NATURAL(BEIGE)	TOOLED	5	POSITIVE	.874(22.20)
46994-0602	V-2/NATURAL(BEIGE)	TOOLED	6	POSITIVE	1.039(26.40)



PASSIVE LATCH

THIS DRAWING CONTAINS INFORMATION THAT IS PROPRIETARY TO MOLEX ELECTRONIC TECHNOLOGIES, LLC AND SHOULD NOT BE USED WITHOUT WRITTEN PERMISSION

DIMENSION UNITS mm	SCALE NTS	CURRENT REV DESC:		molex		
GENERAL TOLERANCES (UNLESS SPECIFIED)		EC NO: 719028				
ANGULAR TOL ± 0.5°		4 PLACES ±	DRWN: JERRYW8	2022/08/23		PRODUCT CUSTOMER DRAWING
		3 PLACES ±	CHKD: XQZHANG	2022/09/01		
		2 PLACES ± 0.25	APPR: XQZHANG	2022/09/01		DOCUMENT NUMBER SD-46994-0000
		1 PLACE ± 0.38	INITIAL REVISION:			
		0 PLACES ±	DRWN: NNGUYEN	2013/04/15		DOC PART 001
			APPR: FSMITH	2014/05/16		REVISION A4
DRAFT WHERE APPLICABLE MUST REMAIN WITHIN DIMENSIONS	THIRD ANGLE PROJECTION	DRAWING B-SIZE	SERIES 46994	MATERIAL NUMBER SEE CHART	CUSTOMER GENERAL MARKET	SHEET NUMBER 1 OF 1