

4

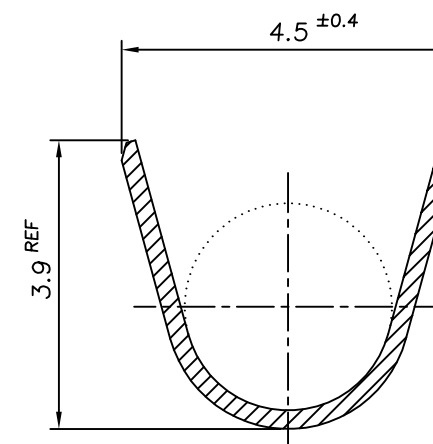
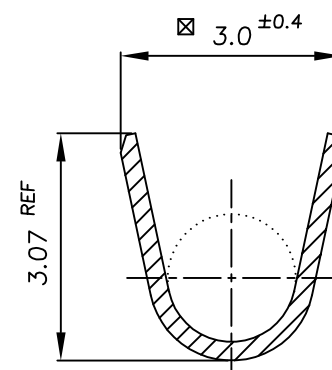
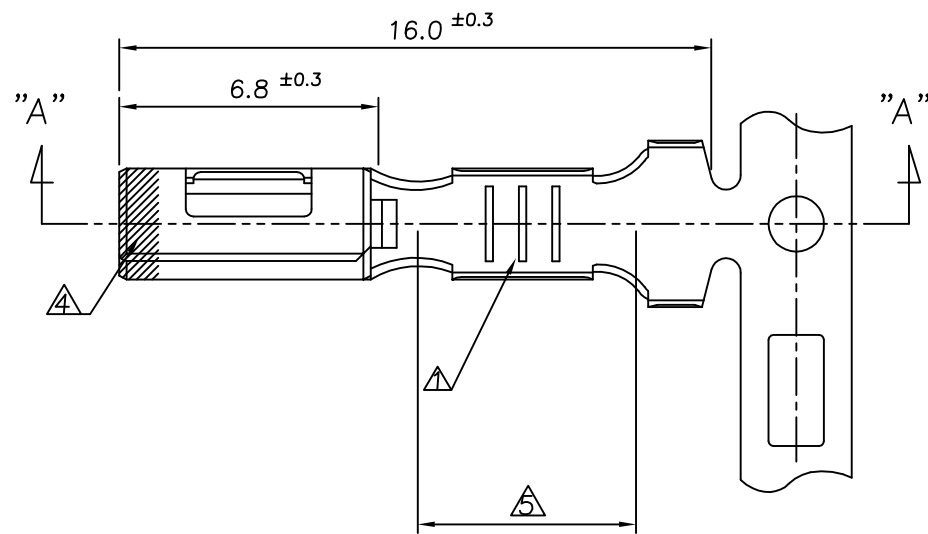
3

2

1

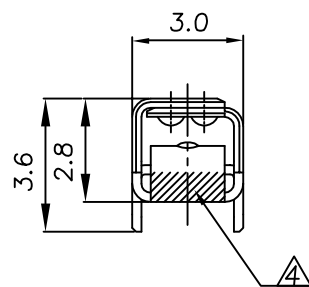
THIS DRAWING IS UNPUBLISHED. RELEASED FOR PUBLICATION
COPYRIGHT BY TYCO ELECTRONICS CORPORATION, ALL RIGHTS RESERVED.

LOC	DIST	REVISIONS			
P	LTR	DESCRIPTION	DATE	DWN	APVD
-	-	D1	REVISED (ECR-13-003728)	28.FEB.'13	KT HG

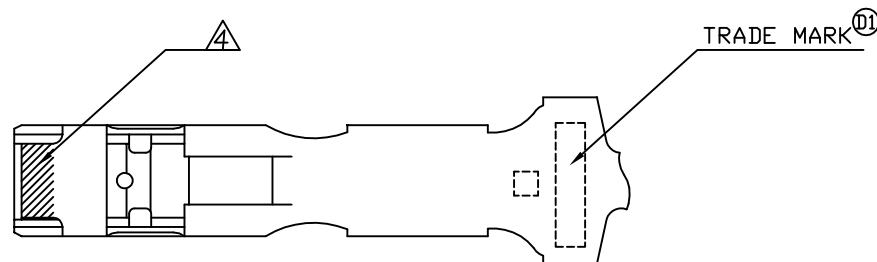
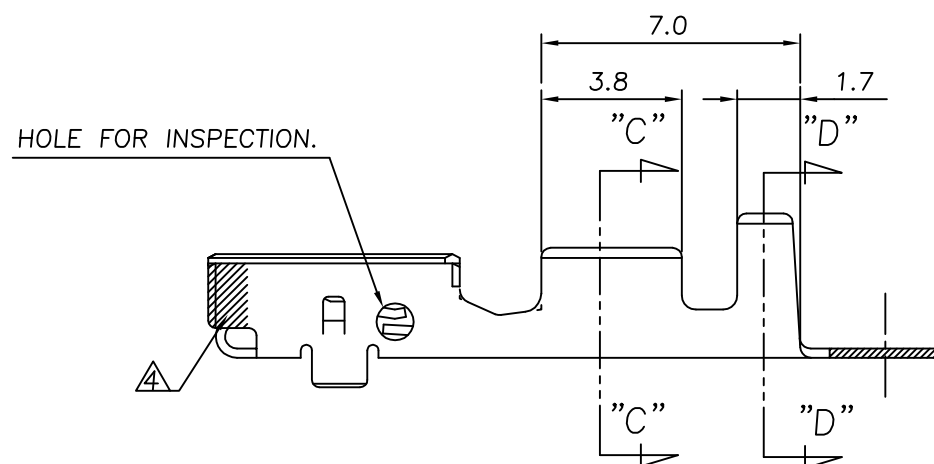


SECTION "C-C"
Scale 10/1

SECTION "D-D"
Scale 10/1

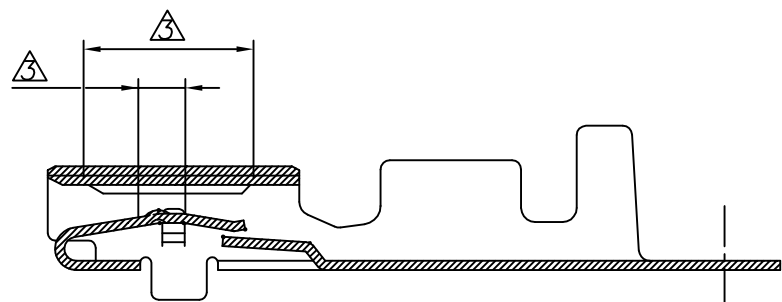


HOLE FOR INSPECTION.



NOTE

- ▲ THREE SERRATIONS CENTERED IN WIRE BARREL.
- 2. APPLICABLE WIRE RANGE; AVSS 2.0SQMM
- ▲ GOLD PLATING AREA (CONTACT SIDE ONLY)
- ▲ GOLD PLATING FOR DISCERNMENT
- ▲ TIN PLATING AREA



SECTION "A-A"

▲▲▲ SELECTIVE-GOLD	CuNiSi, 0.25 Thk	1-368083-1
PRE-TINNED	CuNiSi, 0.25 Thk	368083-1
FINISH	MATERIAL	PART NUMBER

THIS DRAWING IS A CONTROLLED DOCUMENT FOR TYCO ELECTRONICS CORPORATION IT IS SUBJECT TO CHANGE AND THE CONTROLLING ENGINEERING ORGANIZATION SHOULD BE CONTACTED FOR THE LATEST REVISION.

DIMENSIONS: MM	TOLERANCES UNLESS OTHERWISE SPECIFIED: 0 <XX<10 ± 0.2 10 ≤ XX <30 ± 0.25 ANGLES ± 3°
MATERIAL SEE TABLE	FINISH SEE TABLE

DWN KT JUNG		NAME		
CHK KT LIM		090 II MLC RECEP.		
APVD HG CHD		SIZE	CAGE CODE	DRAWING NO
PRODUCT SPEC 108-61021		A3	00779	C-368083
APPLICATION SPEC 114-61004	WEIGHT	RESTRICTED TO		
CUSTOMER DRAWING	SCALE 5/1	SHEET 1 OF 1	REV D1	