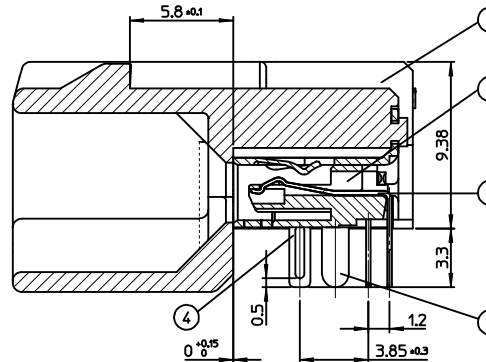
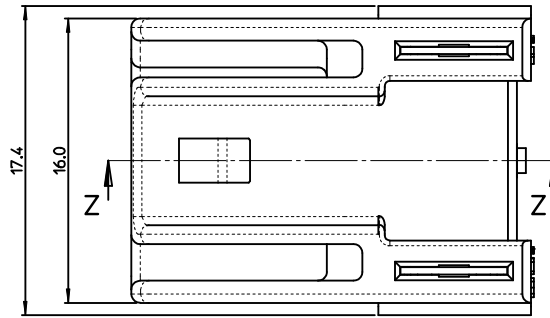
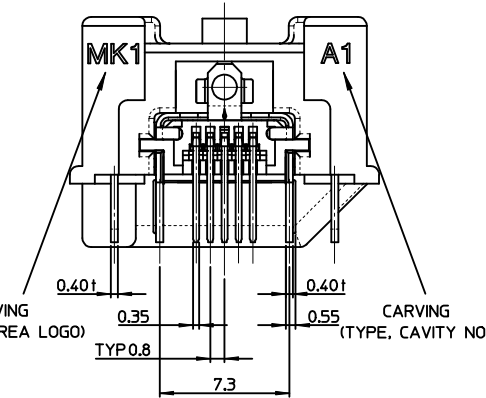
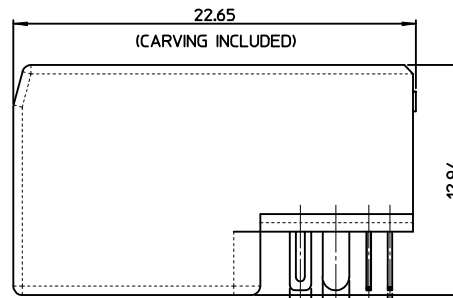
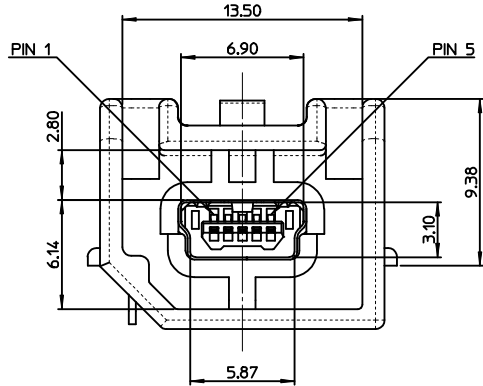


ISOMETRIC VIEW



SECTION Z-Z



- NOTE
- MATES WITH :  
(MOLEX SERIES NO. - 111014, 111015, 111005, 111041, 111019, 111020)
  - SHROUD GEOMETRY AND ASSEMBLY WITH USB MINI-B CONNECTOR ARE ACCORDING TO USCAR STD 999-U-USB-Z01
  - FINISHES
    - TERMINAL :  
CONTACT AREA : GOLD 0.75µm MIN.  
SOLDER TAIL AREA : TIN 3.8µm MIN.  
UNDER PLATING : NI 1.25µm MIN.
    - SHIELD CASE :  
3.0µm MIN. TIN OVER NI 1.0µm MIN.
    - FITTING NAIL :  
3.0µm MIN. TIN OVER NI 1.0µm MIN.
  - UNLESS OTHERWISE SPECIFIED, TYPICAL RECOMMENDED PCB MANUFACTURING TOLERANCE IS ±0.05
  - PACKAGING IS TRAY :  
(48 PCS/TRAY, 5 TRAY/TRAY BOX, 240 PCS/TRAY BOX, 960 PCS/CARTON BOX)
  - PRODUCT SPECIFICATION : PS-49616-001
  - PACKAGING INFORMATION : PK-49616-001
  - PCB THICKNESS : 1.6mm(REFERENCE)

<TABLE 1>

MATERIAL NO.	ORDER NO.	COLOR
1040260721	104026-0721	BLACK

CHANGED PCB LAYOUT  
 EC NO: KTR2013-0029  
 DRW:HHMOON 2013/02/28  
 CHK:BCYOON 2013/02/28  
 APPR:JYCHOI 2013/04/12  
 A2

QUALITY SYMBOLS  
 ▽=0  
 ▽=0

GENERAL TOLERANCES (UNLESS SPECIFIED)

	mm	INCH
4 PLACES	± ---	± ---
3 PLACES	± ---	± ---
2 PLACES	± 0.15	± ---
1 PLACE	± 0.25	± ---
ANGULAR ± 3°		

DRAFT WHERE APPLICABLE  
 MUST REMAIN WITHIN DIMENSIONS

DIMENSION STYLE  
 MM ONLY

DRAWN BY: HTSONG  
 DATE: 2008/04/25

CHECKED BY: BCYOON  
 DATE: 2008/04/25

APPROVED BY: EHJUNG  
 DATE: 2008/04/25

MATERIAL NO. SEE TABLE1

SCALE: 5:1

DESIGN UNITS: METRIC

THIRD ANGLE PROJECTION

TITLE: HSAUTOLINK R/A HEADER TYPE-A

MOLEX INCORPORATED

DOCUMENT NO. SD-104026-001

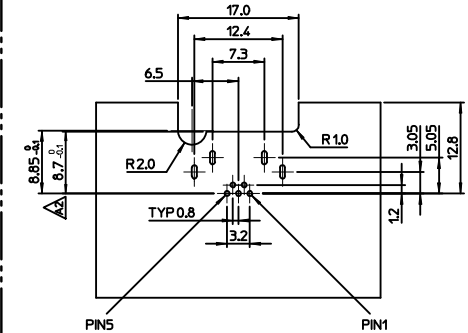
SHEET NO. 1 OF 1

THIS DRAWING CONTAINS INFORMATION THAT IS PROPRIETARY TO MOLEX INCORPORATED AND SHOULD NOT BE USED WITHOUT WRITTEN PERMISSION

<PART LIST>

NO.	PART NAME	MATERIALS
①	SHROUD	LCP, glass-filled, UL94 V-0
②	REC. HOUSING	LCP, glass-filled, UL94 V-0
③	TERMINAL	COPPER ALLOY
④	SHIELD CASE	PHOSPHOR BRONZE
⑤	FITTING NAIL	BRASS

RECOMMENDED PCB LAYOUT - TYPE 'A' (TOP VIEW, COMPONENT SIDE)



(BOTTOM VIEW, SOLDER SIDE)

