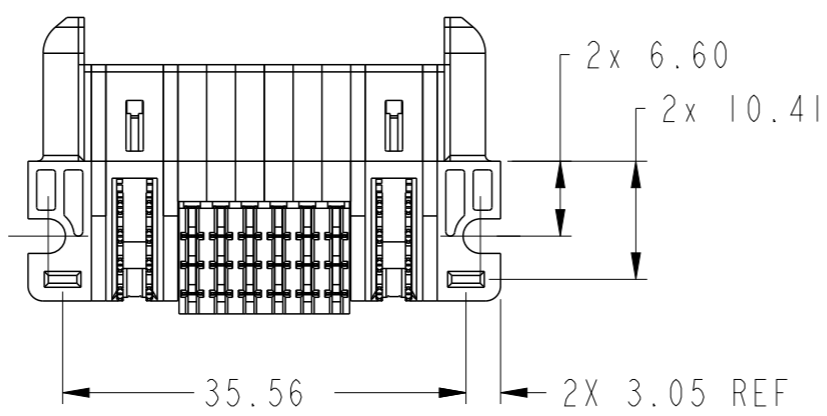
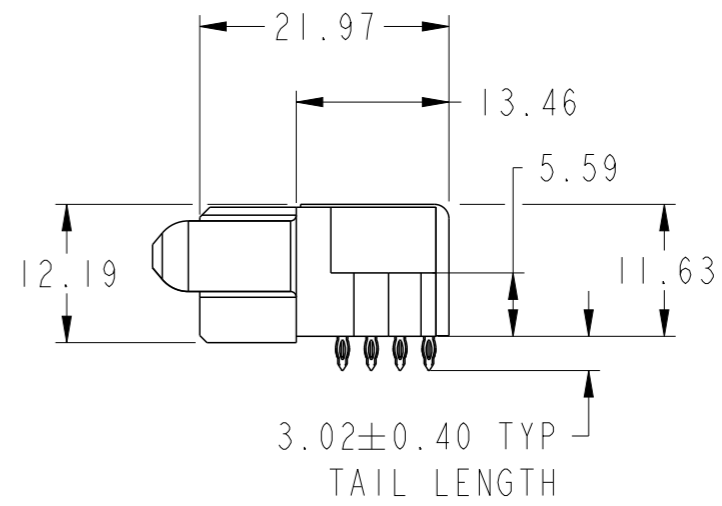
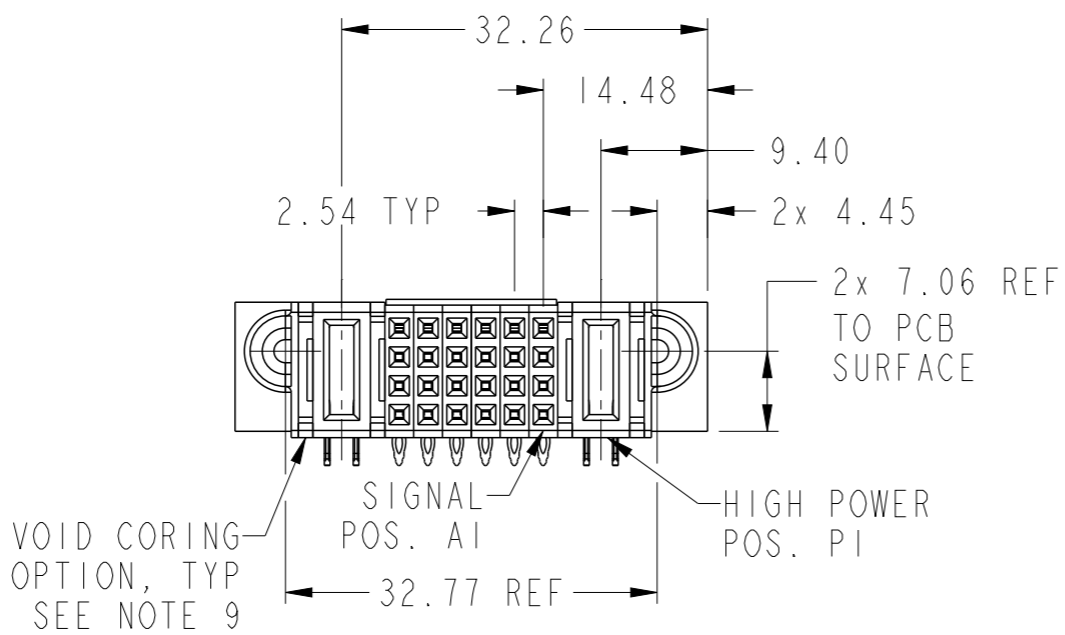
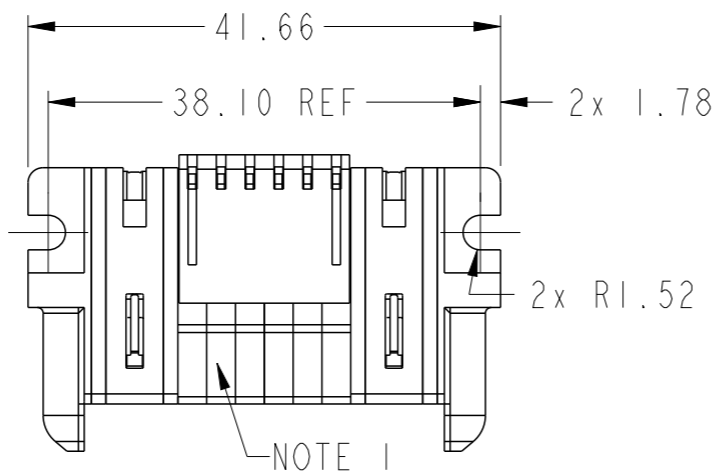


PRODUCT NUMBER SEE SHEET 2

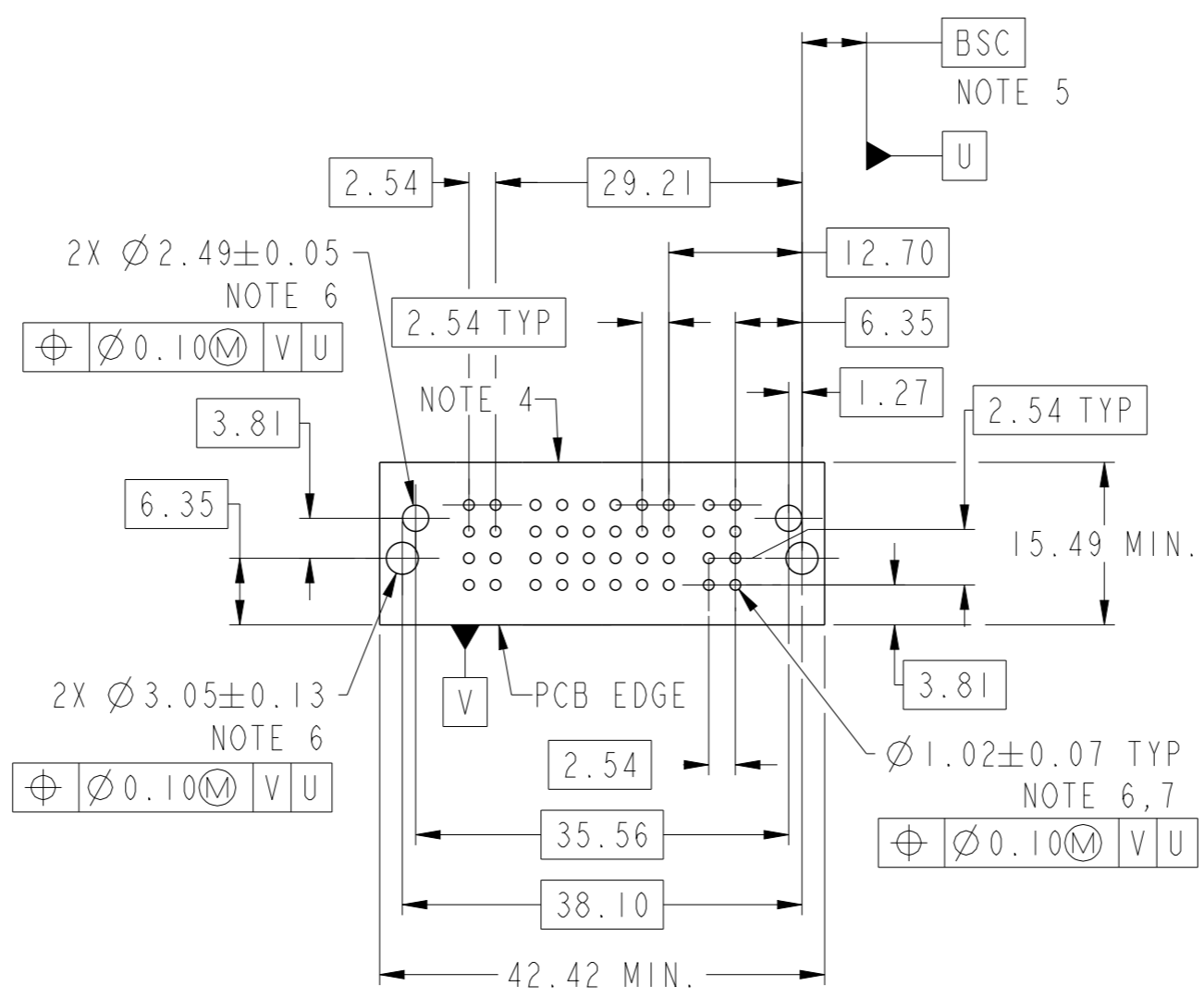


Copyright FCI.

spec ref	*	dr	Rainbow Zhan	2015/04/14	projection	MM	size	A3	scale	3:2																	
tolerance std	ASME Y14.5	eng	Zhen-Hua Liu	2015/05/26			ecn no	-	rel level	Released																	
TOLERANCES UNLESS OTHERWISE SPECIFIED		chr	Fancy Zhang	2015/05/25							product family	PwrBlade+															
surface	<table border="1"> <tr> <td>linear</td> <td>0.X</td> <td>±0.5</td> </tr> <tr> <td></td> <td>0.XX</td> <td>±0.25</td> </tr> <tr> <td></td> <td>0.XXX</td> <td>±0.10</td> </tr> <tr> <td>angular</td> <td>0°</td> <td>±2°</td> </tr> </table>	linear	0.X	±0.5		0.XX	±0.25		0.XXX	±0.10	angular	0°	±2°	appr	Pei-Ming Zheng	2015/05/26			<table border="1"> <tr> <td>part no</td> <td>IHP + 24S + IHP</td> <td>rev</td> <td></td> </tr> <tr> <td>dwg no</td> <td>10106265-2006003</td> <td>rev</td> <td>A</td> </tr> </table>	part no	IHP + 24S + IHP	rev		dwg no	10106265-2006003	rev	A
linear	0.X	±0.5																									
	0.XX	±0.25																									
	0.XXX	±0.10																									
angular	0°	±2°																									
part no	IHP + 24S + IHP	rev																									
dwg no	10106265-2006003	rev	A																								
ASME Y14.5		www.fci.com	cat. no.		Product - Customer Drw	sheet 1 of 3																					

PRODUCT NO.	ROWS	HP		SIGNAL						HP																	
		E1	P2	6	5	4	3	2	1	P1	E2																
10106265-2006003LF	DCBA	H7	H7	S	S	S	S	S	S	R	R	R	R	R	R	P	P	P	P	P	P	N	N	N	N	N	N

CODE	DESCRIPTION
H7	STD HIGH POWER CONTACT(3.02)
N	STD SIGNAL CONTACT, ROW A
P	STD SIGNAL CONTACT, ROW B
R	STD SIGNAL CONTACT, ROW C
S	STD SIGNAL CONTACT, ROW D



Copyright FCI.

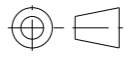
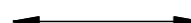
dr	Rainbow Zhan	2015/04/14	projection	MM	size	A3	scale	3:2	
eng	Zhen-Hua Liu	2015/05/26			ecn no	-	rel level	Released	
chr	Fancy Zhang	2015/05/25							
appr	Pei-Ming Zheng	2015/05/26	product family	PwrBlade+					
			IHP + 24S + IHP			dwg no		10106265-2006003	
www.fci.com			RA PF RECEPTACLE			rev		A	
cat. no.			Product - Customer Drw			sheet 2 of 3			

NOTES:

- 1) "FCI", PART NUMBER AND DATE CODE TO BE MARKED ON THIS SURFACE.
THE MARK CAN BE OMITTED IF THERE IS NOT ENOUGH SPACE ON THIS SURFACE.
- 2) MATERIALS:
-HOUSING - GLASS FILLED WITH HIGH TEMP THERMOPLASTIC, UL94V-0.
-SIGNAL CONTACT - COPPER ALLOY.
-POWER CONTACT - HIGH CONDUCTIVITY COPPER ALLOY.
- 3) PLATING SPECIFICATION : 10116351
- 4) DENOTES CONNECTOR KEEP OUT ZONE.
- 5) DATUM AND BASIC DIMENIONS WERE ESTABLISHED BY CUSTOMER.
- 6) ALL HOLE DIAMETERS ARE FINISHED HOLE SIZES.
- 7) 1.15 ± 0.025 MM DRILLED HOLE PLATED WITH 0.00762MM MIN Sn
OVER 0.0254-0.0762MM Cu PLATING TO ACHIEVE A 1.02 ± 0.07 MM HOLE.
- 8) PRODUCT SPECIFICATION : GS-12-658.
APPLICATION SPECIFICATION :GS-20-141.
PRODUCT PACKAGE SPECIFICATION: GS-14-1502.
- 9) THE VOID CORING IN BETWEEN POWER MODULES, SIGNAL
MODULES AND END MODULES ARE OPTIONAL AND THE SHAPE
MAY BE DIFFERENT FOR OPTIMIZE THE MOLDING PROCESS. THE
VOID CORING WILL NOT EFFECT TO PRODUCT FUNCTION.



Copyright FCI.

dr	Rainbow Zhan	2015/04/14	projection 	MM 	size	A3	scale	3:2
eng	Zhen-Hua Liu	2015/05/26			ecn no	-		
chr	Fancy Zhang	2015/05/25			product family	PwrBlade+	rel level	Released
appr	Pei-Ming Zheng	2015/05/26			title IHP + 24S + IHP RA PF RECEPTACLE		dwg no 10106265-2006003	rev A
www.fci.com		cat. no.	Product - Customer Drw		sheet 3 of 3			