

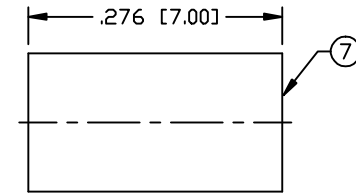
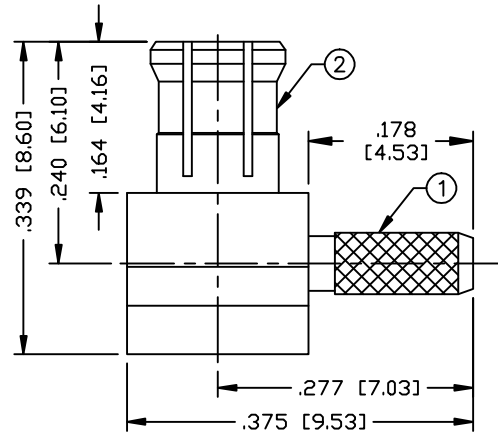
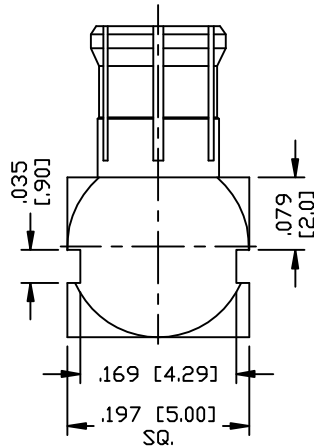
THIS DRAWING CONTAINS INFORMATION PROPRIETARY TO RF INDUSTRIES,  
 ANY UNAUTHORIZED USE OF THIS DRAWING IS EXPRESSLY PROHIBITED  
 WITHOUT WRITTEN PERMISSION FROM RF INDUSTRIES.  
 ANY VIOLATION IS PUNISHABLE UNDER U.S. COPYRIGHT LAWS.

ALL DIMENSIONS ARE REFERENCE ONLY

PART NO.

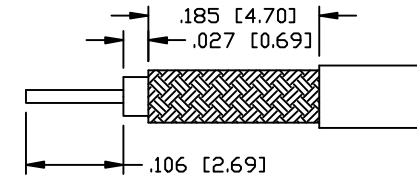
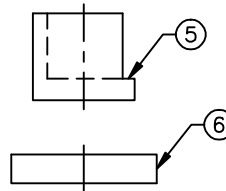
**RMX-8010-1A**

REV	DESCRIPTION	DWN	DATE	APPROVED
-	ENGINEERING RELEASE	CZS	01/12/02	JDMc



RECOMMENDED CRIMP DIE: .130"

NOTE: ATTACH CABLE TO CONNECTOR BY  
 SOLDERING THE CABLE INNER CONDUCTOR  
 TO THE PIN SLOT INSIDE THE CONNECTOR



RECOMMENDED STRIPPING DIMENSIONS

**SPECIFICATIONS:**

IMPEDANCE: 50 Ohms  
 FREQUENCY RANGE: 0-6 GHz  
 VSWR: 1.4 MAX.  
 WORKING VOLTAGE: 335 VRMS MAX. AT SEA LEVEL  
 TEMPERATURE RANGE: -65 C. TO +165 C.  
 FOR RG-178, 178A, 178B, 196 & 196A/U CABLE

1	BODY	1	BRASS	GOLD, 3μ
2	MCX BODY	1	Be. Cu.	GOLD, 3μ
3	INSULATOR	1	PTFE	---
4	PIN	1	BRASS	GOLD, 30μ
5	INSULATOR	1	DELFIN	---
6	PRESS CAP	1	BRASS	GOLD, 3μ
7	FERRULE	1	COPPER	GOLD, 3μ
8				
9				
10				
11				
12				
13				
14				
#	DESCRIPTION	QTY	MATERIAL	FINISH (IN)

008974	
DRAWN	C. ZUNIGA
CHECKED	
ORJ DRAWN	C. ZUNIGA
DATE	06/04/08
DATE	06/04/08

UNLESS OTHERWISE SPECIFIED:  
 1. REMOVE ALL BURRS  
 2. BREAK ALL CORNERS & EDGES .005 R. MAX.  
 3. CHAMFER 1ST & LAST THREADS 45°  
 4. SURFACE ROUGHNESS 63 FINISH MIL-STD-10  
 5. DIAMETERS ON COMMON CENTERS TO BE CONCENTRIC WITHIN .002 T.I.R.  
 6. ALL DIMENSIONS ARE AFTER PLATING.

DIMENSIONS ARE IN INCHES AND [MILLIMETERS]  
 UNLESS OTHERWISE NOTED TOLERANCES ARE:

DECIMALS	DIAMETER
.xxx±.003 [.08]	.xxx±.001 [.03]
.xx±.005 [.13]	.xx±.003 [.08]

**RFconnectors**  
 DIVISION OF RF INDUSTRIES, LTD.

7610 MIRAMAR RD  
 SAN DIEGO, CA 92126  
 (858) 549-6340  
 (858) 549-6345 FAX

**MCX PLUG, CRIMP**

RIGHT ANGLE

SIZE	CABLE GROUP	DWG NO.	REV
A	A	RMX-8010-1A	-
SCALE:	NTS	CAD FILE	OUTLINE
SHEET			1 OF 1