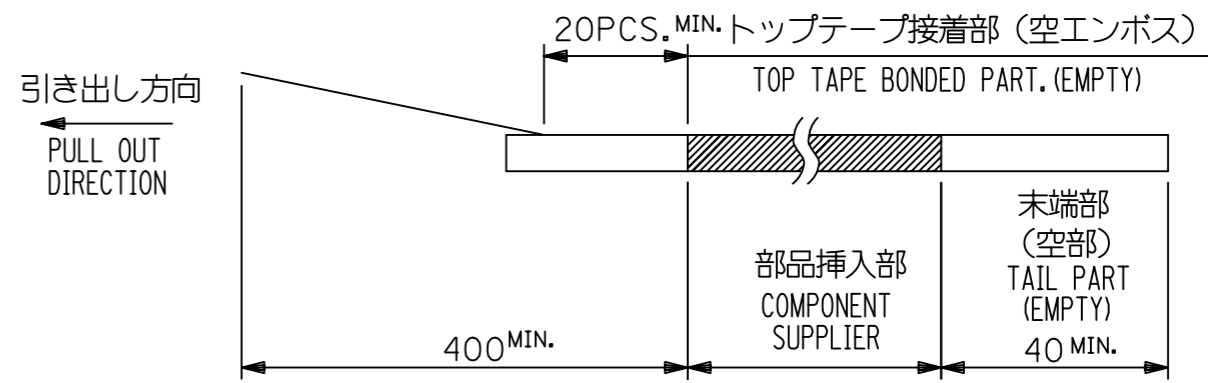


NOTE

1. 梱包数量 : 1000個/リール
 NUMBER OF CONNECTORS : 1000 PCS/REEL

2. リードテープ長さ LEAD TAPE LENGTH



3. 52610-**15のアクチュエータはハウジング内に押し下げた状態とする。
 詳細寸法については図面 526101000 PSD 000 を参照下さい。
 ACTUATOR OF PART NO. 52610-**15 SHOULD BE LOCKED.
 RE DETAILD DIMENSIONS, SEE 526101000 PSD 000.

4. 材料 MATERIAL
 キャリアテープ : ポリプロピレン
 トップテープ : PET, PE, PEF
 リール : ポリスチレン <リサイクル材を含む>
 CARRIER TAPE : POLYPROPYLENE
 TOP TAPE : PET, PE, PEF
 REEL : POLYSTYRENE (PS) < RECYCLE MATERIAL CONTAINED >

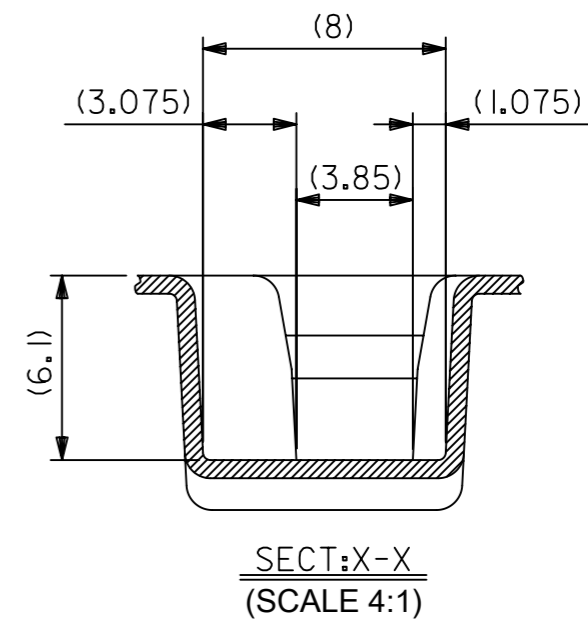
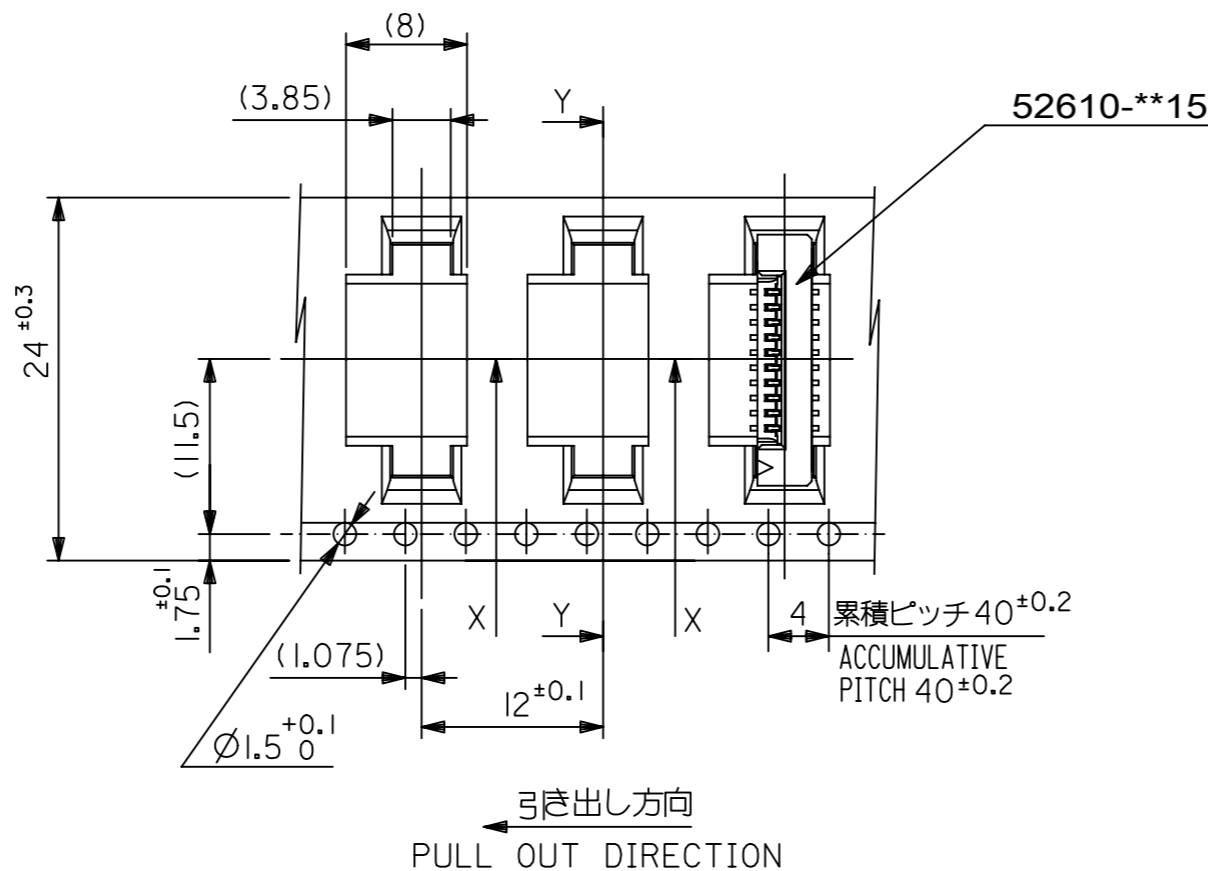
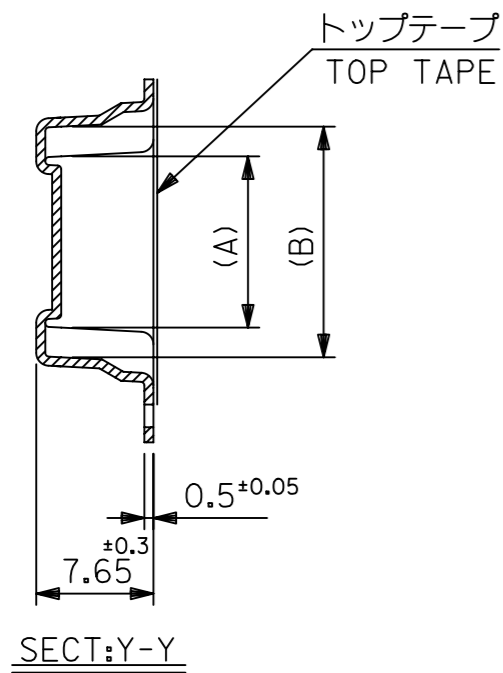
5. 本製品は52610シリーズの接点金めつき品である。
 THIS PRODUCT IS Au-CONTACT OF 52610 SERIES.

6. 本製品は乾燥剤入り、ハイバリア梱包仕様である。
 THIS PRODUCT IS HIGH BARRIER PACKAGE WITH DESICCANT.

MODEL NO. 52610-**72

THIS DRAWING CONTAINS INFORMATION THAT IS PROPRIETARY TO MOLEX ELECTRONIC TECHNOLOGIES, LLC AND SHOULD NOT BE USED WITHOUT WRITTEN PERMISSION									
RELEASED	EC NO:	106044	GENERAL TOLERANCES (UNLESS SPECIFIED)		DIMENSION UNITS	SCALE	molex®		
	DRWN:	YMIZUNO02	ANGULAR TOL ± 3.0 °		MM	---			
	CHK'D:	YKOBAYASHI02	4 PLACES	± 0.2	DRWN BY	DATE	PRODUCT CUSTOMER DRAWING		
	APPR:	TKUSUHARA01	3 PLACES	± 0.2	YKOBAYASHI02	2016/10/12			
			2 PLACES	± 0.2	TKUSUHARA01	2016/12/28	52610 SEE CHART GENERAL		
			1 PLACE	± 0.2	DRAWING SIZE				
		0 PLACES	± 0.2	A3			526100000 PSD 000 1 OF 5		
DRAFT WHERE APPLICABLE MUST REMAIN WITHIN DIMENSIONS									

RELEASE STATUS	RELEASE DATE
----------------	--------------

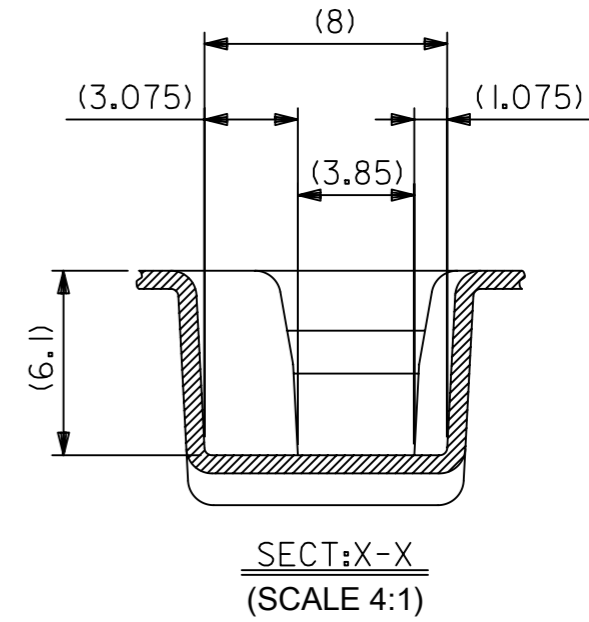
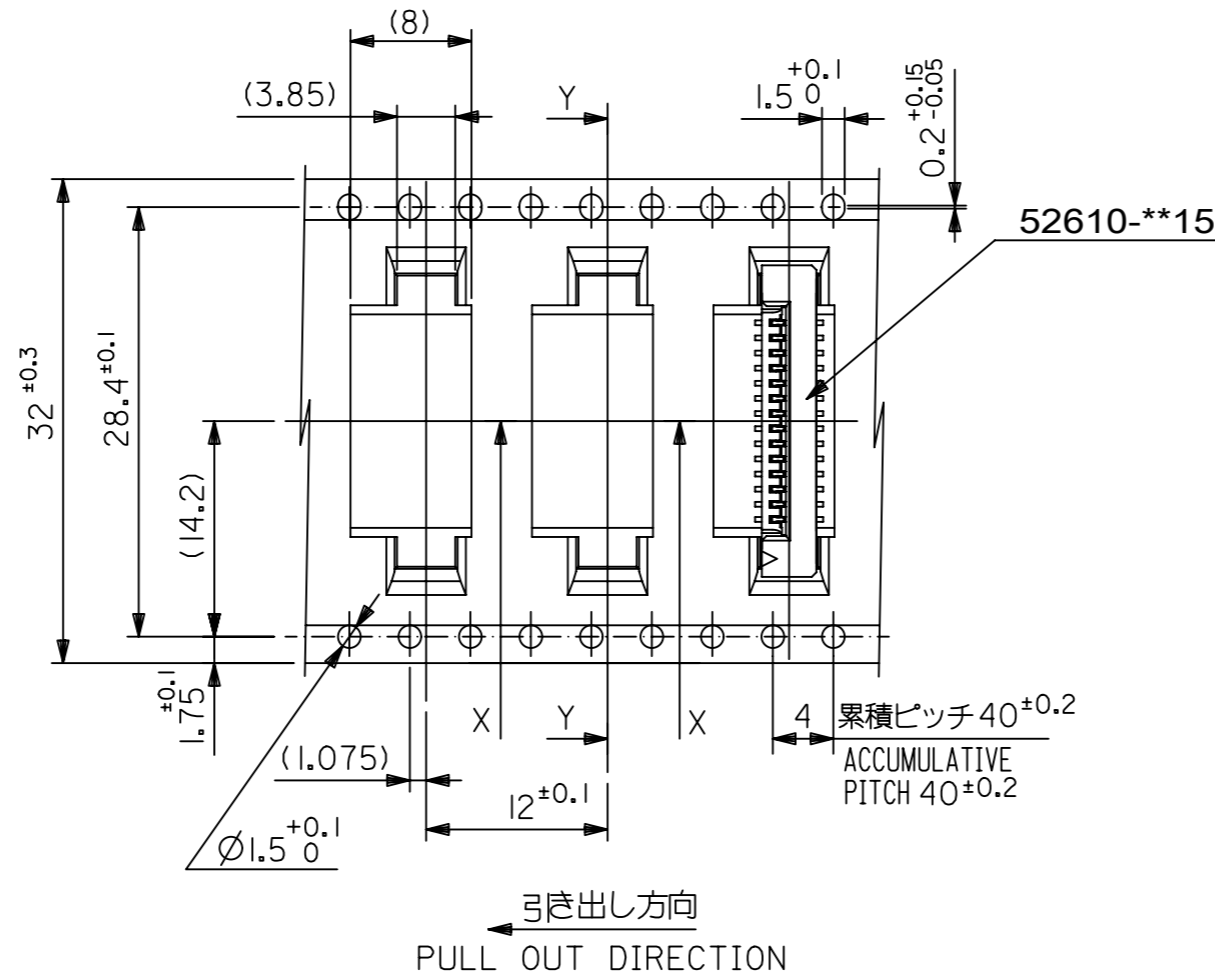
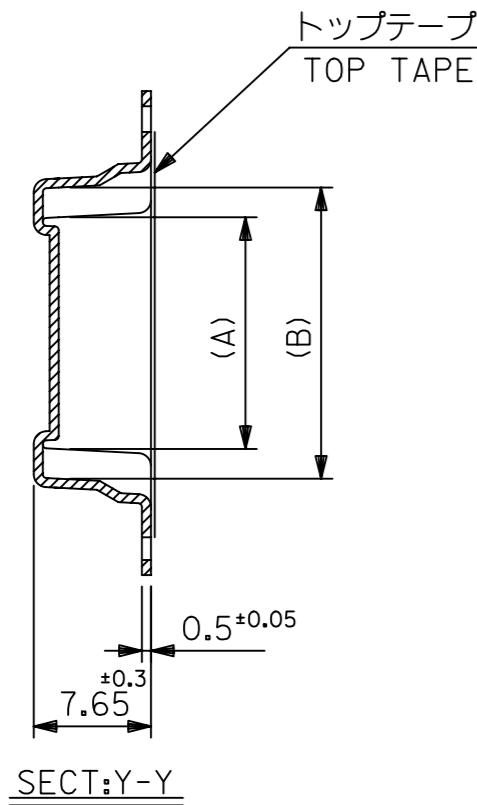


24	29.4	25.4	15.25	11.32	52610-1072	10		
			14.25	10.32	52610-0972	9		
			13.25	9.32	52610-0872	8		
			12.25	8.32	52610-0772	7		
			11.25	7.32	52610-0672	6		
			10.25	6.32	52610-0572	5		
キャリアテープ幅 CARRIER TAPE WIDTH			D	C	(B)	(A)	MATERIAL NO.	極数 CKT

THIS DRAWING CONTAINS INFORMATION THAT IS PROPRIETARY TO MOLEX ELECTRONIC TECHNOLOGIES, LLC AND SHOULD NOT BE USED WITHOUT WRITTEN PERMISSION

EC NO: 106044 DRWN: YMIZUNO02 CHK'D: YKOBAYASHI02 APPR: TKUSUHARA01	2016/10/12	2016/12/28	2016/12/28	GENERAL TOLERANCES (UNLESS SPECIFIED) ANGULAR TOL ± 3.0 ° 4 PLACES ± 0.2 3 PLACES ± 0.2 2 PLACES ± 0.2 1 PLACE ± 0.2 0 PLACES ± 0.2 DRAFT WHERE APPLICABLE MUST REMAIN WITHIN DIMENSIONS	DIMENSION UNITS	SCALE				
	2016/10/12	2016/12/28	2016/12/28		MM	---				
	YMIZUNO02	YKOBAYASHI02	TKUSUHARA01		DRWN BY	DATE		DATE		
	YMIZUNO02	YKOBAYASHI02	TKUSUHARA01		CHK'D BY	DATE		DATE		
	YMIZUNO02	YKOBAYASHI02	TKUSUHARA01		APPR BY	DATE		DATE		
	YMIZUNO02	YKOBAYASHI02	TKUSUHARA01		TKUSUHARA01	2016/12/28		2016/12/28		
A		REV		DRAFT WHERE APPLICABLE MUST REMAIN WITHIN DIMENSIONS		DRAWING SIZE	THIRD ANGLE PROJECTION	1.0 FPC CONN ZIF ASSY SMT ST EMBSTP PKG		
A		REV		DRAFT WHERE APPLICABLE MUST REMAIN WITHIN DIMENSIONS		A3		PRODUCT CUSTOMER DRAWING		
A		REV		DRAFT WHERE APPLICABLE MUST REMAIN WITHIN DIMENSIONS		A3		SERIES	MATERIAL NUMBER	CUSTOMER
A		REV		DRAFT WHERE APPLICABLE MUST REMAIN WITHIN DIMENSIONS		A3		52610	SEE CHART	GENERAL
A		REV		DRAFT WHERE APPLICABLE MUST REMAIN WITHIN DIMENSIONS		A3		DOCUMENT NUMBER	DOC TYPE	DOC PART
A		REV		DRAFT WHERE APPLICABLE MUST REMAIN WITHIN DIMENSIONS		A3		526100000	PSD	000
A		REV		DRAFT WHERE APPLICABLE MUST REMAIN WITHIN DIMENSIONS		A3		SHEET NUMBER		2 OF 5

RELEASE STATUS	RELEASE DATE
----------------	--------------

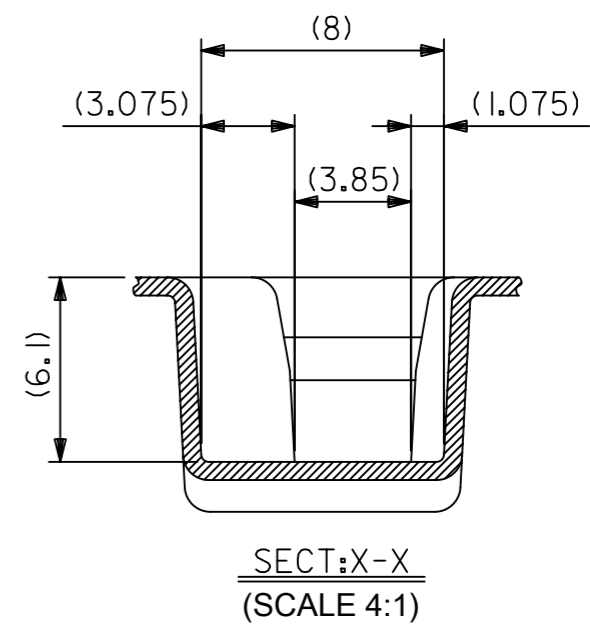
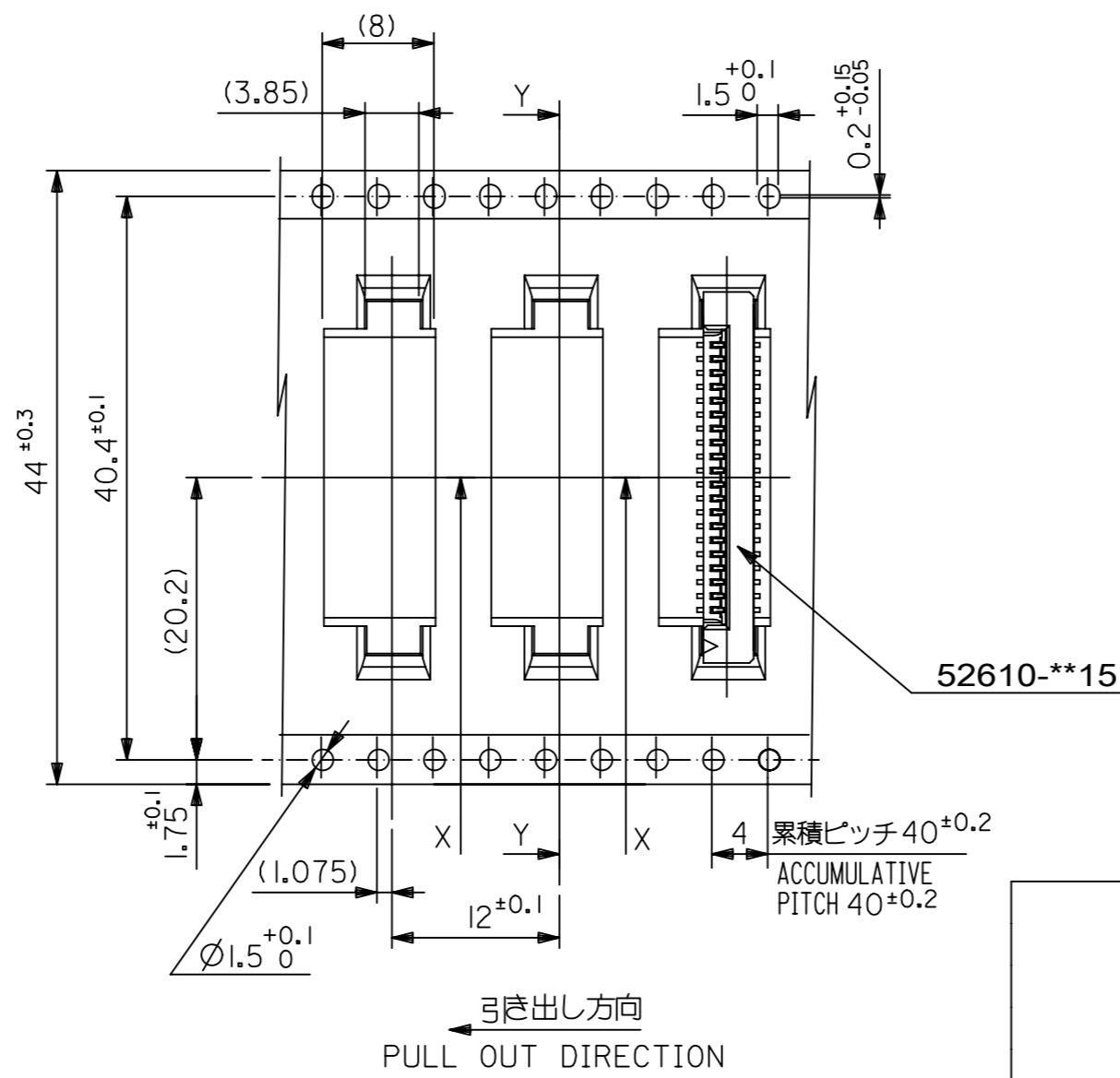
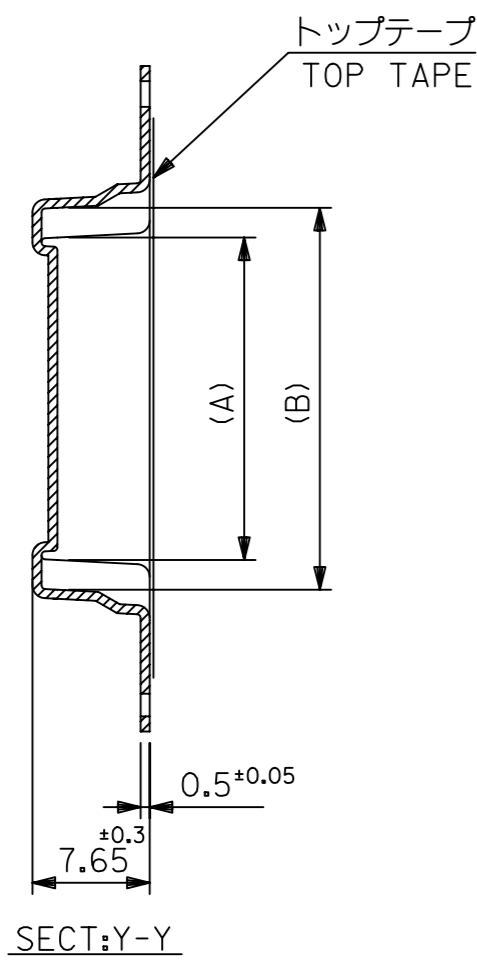


32	37.4	33.4	20.25	16.32	52610-1572	15	
			19.25	15.32	52610-1472	14	
			18.25	14.32	52610-1372	13	
			17.25	13.32	52610-1272	12	
			16.25	12.32	52610-1172	11	
キャリアテープ幅 CARRIER TAPE WIDTH		D	C	(B)	(A)	MATERIAL NO.	極数 CKT

THIS DRAWING CONTAINS INFORMATION THAT IS PROPRIETARY TO MOLEX ELECTRONIC TECHNOLOGIES, LLC AND SHOULD NOT BE USED WITHOUT WRITTEN PERMISSION

EC NO: 106044 DRWN: YMIZUNO02 CHK'D: YKOBAYASHI02 APPR: TKUSUHARA01	2016/10/12	2016/12/28	2016/12/28	GENERAL TOLERANCES (UNLESS SPECIFIED) ANGULAR TOL ± 3.0 ° 4 PLACES ± 0.2 3 PLACES ± 0.2 2 PLACES ± 0.2 1 PLACE ± 0.2 0 PLACES ± 0.2 DRAFT WHERE APPLICABLE MUST REMAIN WITHIN DIMENSIONS	DIMENSION UNITS	SCALE	
	RELEASED	MM	---				
	DRWN BY	DATE	YMIZUNO02		2016/10/12		
	CHK'D BY	DATE	YKOBAYASHI02		2016/12/28		
	APPR BY	DATE	TKUSUHARA01		2016/12/28		
PRODUCT CUSTOMER DRAWING		SERIES	MATERIAL NUMBER	CUSTOMER			
		52610	SEE CHART	GENERAL			
DOCUMENT NUMBER		DOC TYPE	DOC PART	SHEET NUMBER			
526100000		PSD	000	3 OF 5			

RELEASE STATUS	RELEASE DATE
----------------	--------------

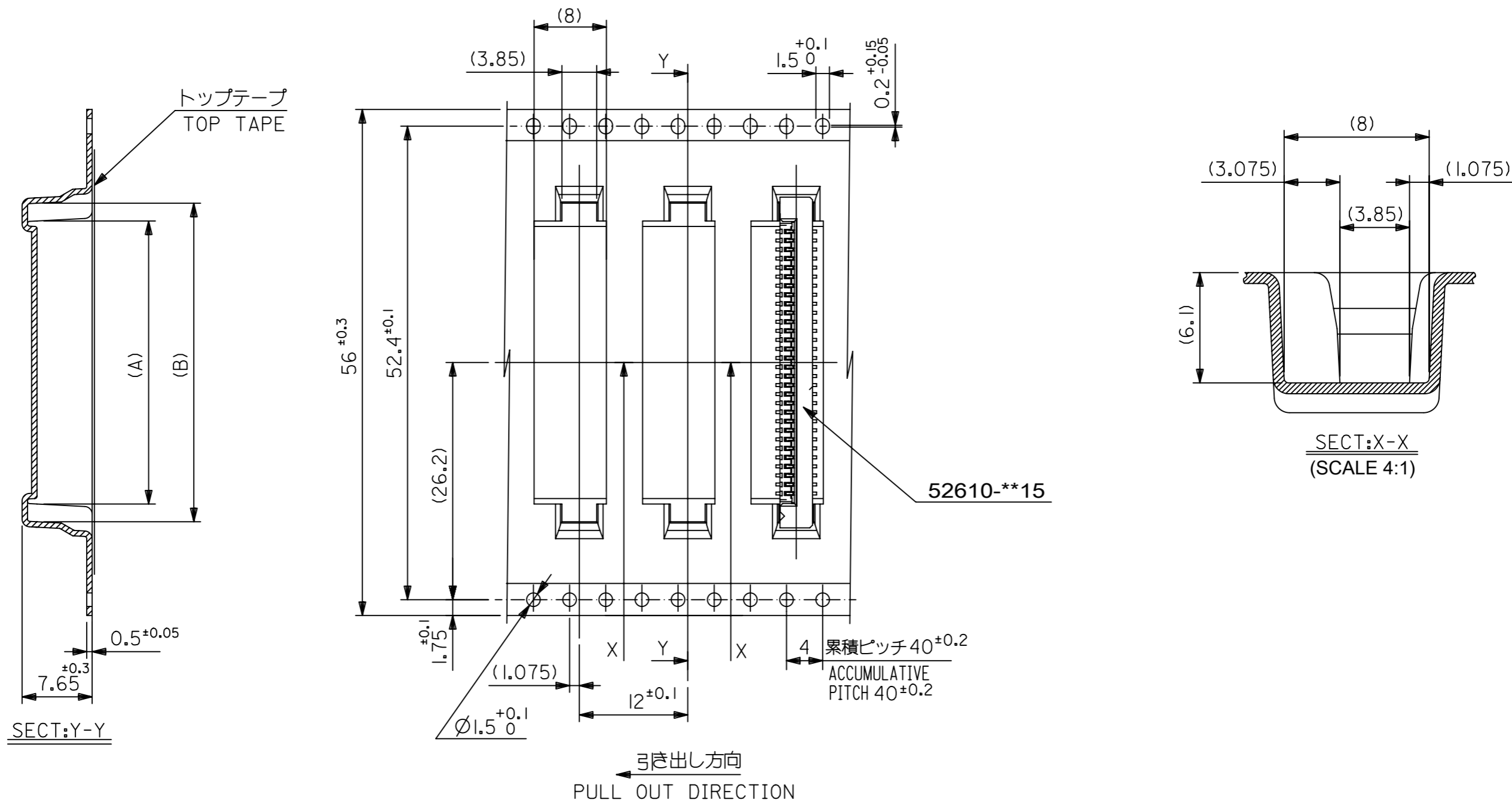


44	49.4	45.4	31.25	27.32	52610-2672	26		
			30.25	26.32	52610-2572	25		
			29.25	25.32	52610-2472	24		
			28.25	24.32	52610-2372	23		
			27.25	23.32	52610-2272	22		
			26.25	22.32	52610-2172	21		
			25.25	21.32	52610-2072	20		
			24.25	20.32	52610-1972	19		
			23.25	19.32	52610-1872	18		
			22.25	18.32	52610-1772	17		
			21.25	17.32	52610-1672	16		
キャリアテープ幅 CARRIER TAPE WIDTH			D	C	(B)	(A)	MATERIAL NO.	極数 CKT

THIS DRAWING CONTAINS INFORMATION THAT IS PROPRIETARY TO MOLEX ELECTRONIC TECHNOLOGIES, LLC AND SHOULD NOT BE USED WITHOUT WRITTEN PERMISSION

EC NO: 106044 DRWN: YMIZUNO02 CHK'D: YKOBAYASHI02 APPR: TKUSUHARA01	2016/10/12 2016/12/28	2016/12/28 2016/12/28	GENERAL TOLERANCES (UNLESS SPECIFIED) ANGULAR TOL ± 3.0 °	DIMENSION UNITS: MM SCALE: ---	
	4 PLACES ± 0.2 3 PLACES ± 0.2 2 PLACES ± 0.2 1 PLACE ± 0.2 0 PLACES ± 0.2	DRWN BY: YMIZUNO02 DATE: 2016/10/12	CHK'D BY: YKOBAYASHI02 DATE: 2016/12/28	PRODUCT CUSTOMER DRAWING	
	DRAFT WHERE APPLICABLE MUST REMAIN WITHIN DIMENSIONS	APPR BY: TKUSUHARA01 DATE: 2016/12/28	DRAWING SIZE: A3 THIRD ANGLE PROJECTION	SERIES: 52610 MATERIAL NUMBER: SEE CHART CUSTOMER: GENERAL	
	A	REV:	DIMENSION UNITS: MM SCALE: ---	1.0 FPC CONN ZIF ASSY SMT ST EMBSTP PKG	
	RELEASE STATUS:	RELEASE DATE:	DOCUMENT NUMBER: 526100000 DOC TYPE: PSD DOC PART: 000 SHEET NUMBER: 4 OF 5	PRODUCT CUSTOMER DRAWING	

RELEASE STATUS	RELEASE DATE
----------------	--------------

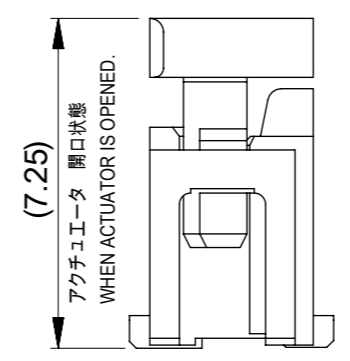
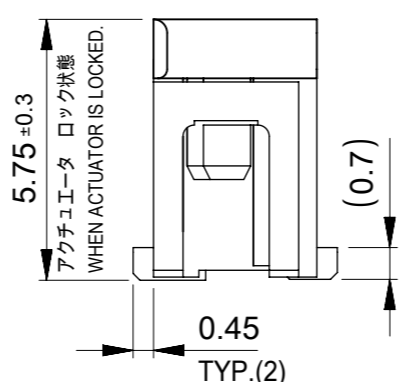
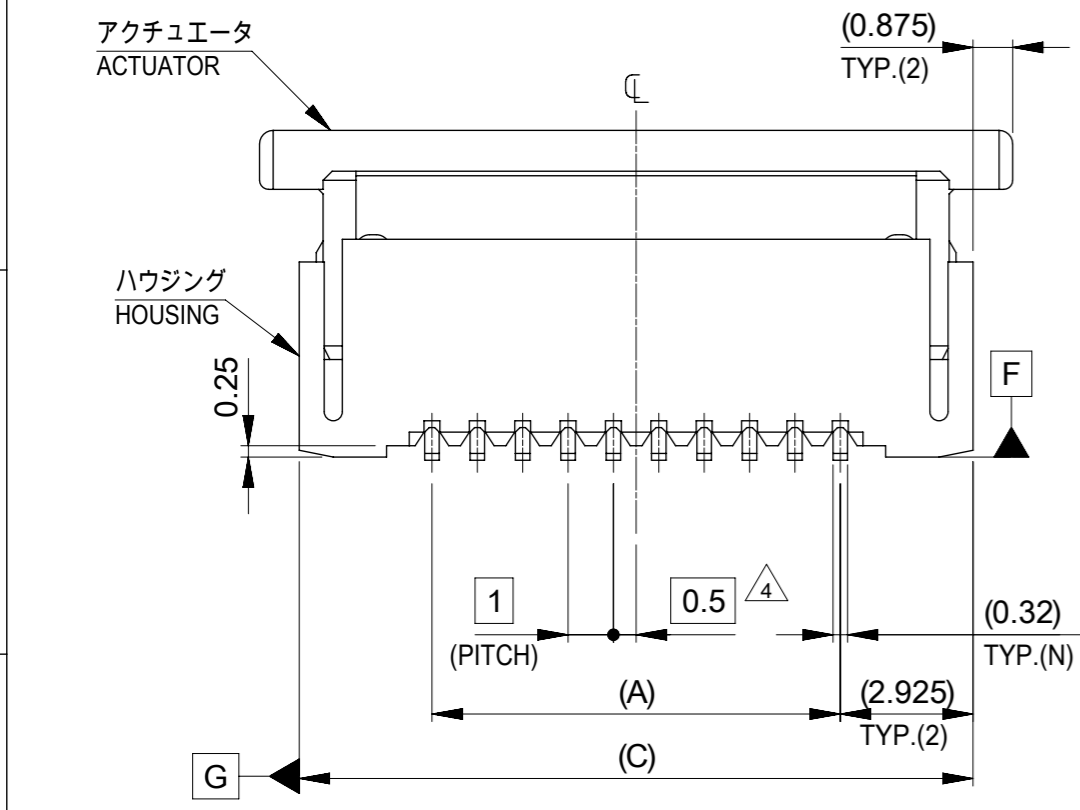
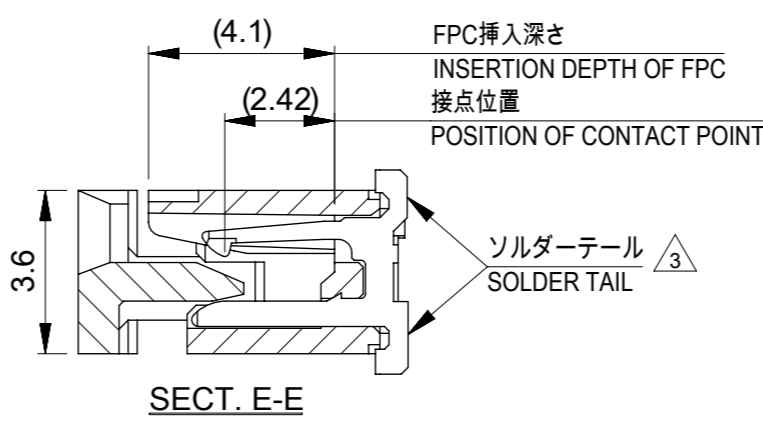
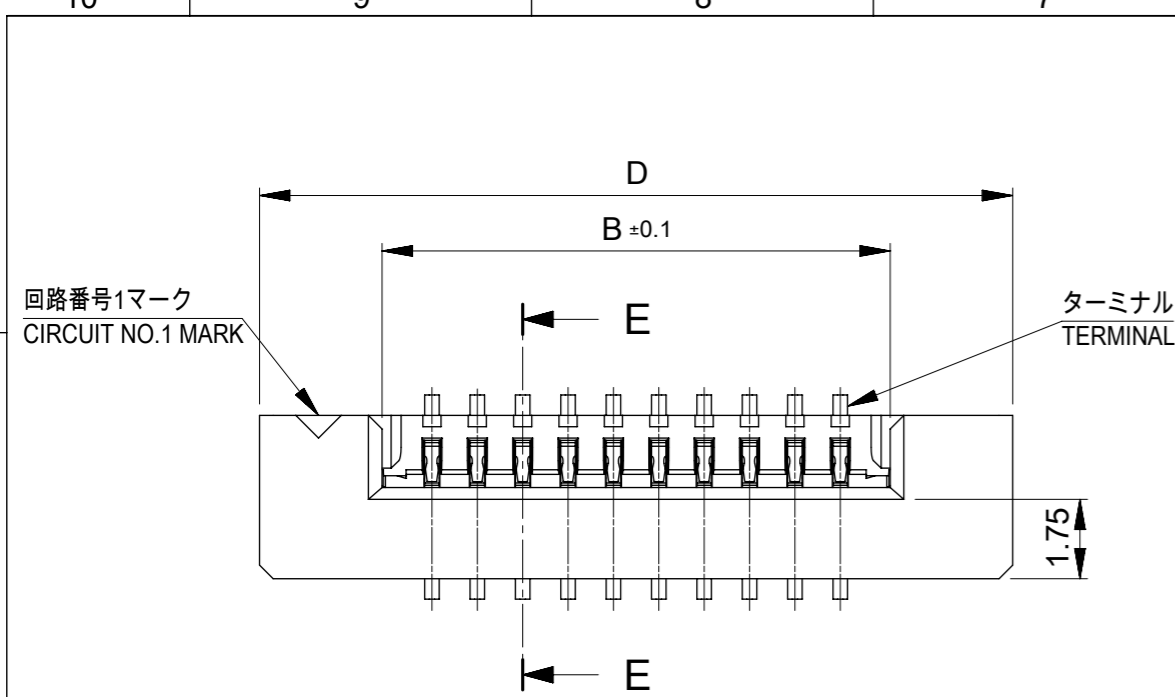


56	61.4	57.4	35.25	31.32	52610-3072	30
			33.25	29.32	52610-2872	28
キャリアテープ幅 CARRIER TAPE WIDTH	D	C	(B)	(A)	MATERIAL NO.	極数 CKT

THIS DRAWING CONTAINS INFORMATION THAT IS PROPRIETARY TO MOLEX ELECTRONIC TECHNOLOGIES, LLC AND SHOULD NOT BE USED WITHOUT WRITTEN PERMISSION

EC NO: 106044 DRWN: YMIZUNO02 CHK'D: YKOBAYASHI02 APPR: TKUSUHARA01	2016/10/12	2016/12/28	GENERAL TOLERANCES (UNLESS SPECIFIED) ANGULAR TOL ± 3.0 ° 4 PLACES ± 0.2 3 PLACES ± 0.2 2 PLACES ± 0.2 1 PLACE ± 0.2 0 PLACES ± 0.2 DRAFT WHERE APPLICABLE MUST REMAIN WITHIN DIMENSIONS	DIMENSION UNITS	SCALE				
	2016/10/12	2016/12/28		MM	---				
	YMIZUNO02	YKOBAYASHI02		DATE	DATE		1.0 FPC CONN ZIF ASSY SMT ST EMBSTP PKG		
	TKUSUHARA01	TKUSUHARA01		DATE	DATE		PRODUCT CUSTOMER DRAWING		
REV	A			DRAWING SIZE	THIRD ANGLE PROJECTION	SERIES	MATERIAL NUMBER	CUSTOMER	
				A3		52610	SEE CHART	GENERAL	
						DOCUMENT NUMBER	DOC TYPE	DOC PART	SHEET NUMBER
						526100000	PSD	000	5 OF 5

RELEASE STATUS	RELEASE DATE
----------------	--------------



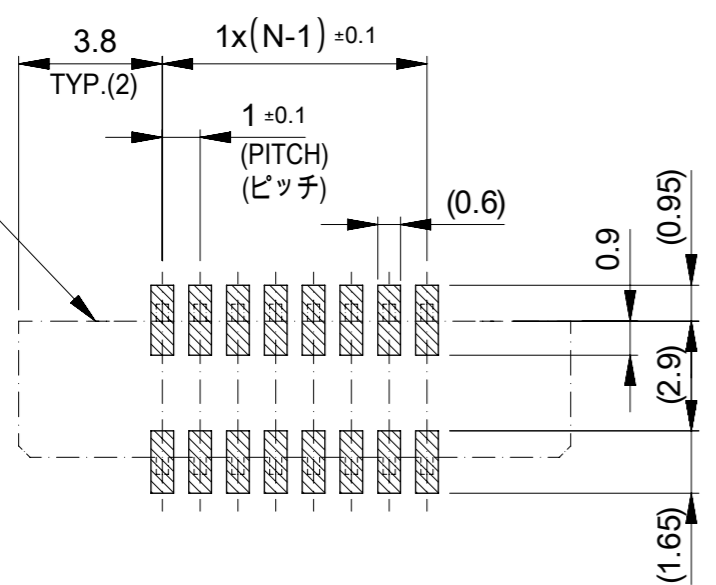
36.6	34.85	31.2	29	52610-3072	30
34.6	32.85	29.2	27	52610-2872	28
32.6	30.85	27.2	25	52610-2672	26
30.6	28.85	25.2	23	52610-2472	24
29.6	27.85	24.2	22	52610-2372	23
28.6	26.85	23.2	21	52610-2272	22
27.6	25.85	22.2	20	52610-2172	21
26.6	24.85	21.2	19	52610-2072	20
25.6	23.85	20.2	18	52610-1972	19
24.6	22.85	19.2	17	52610-1872	18
23.6	21.85	18.2	16	52610-1772	17
22.6	20.85	17.2	15	52610-1672	16
21.6	19.85	16.2	14	52610-1572	15
20.6	18.85	15.2	13	52610-1472	14
19.6	17.85	14.2	12	52610-1372	13
18.6	16.85	13.2	11	52610-1272	12
17.6	15.85	12.2	10	52610-1172	11
16.6	14.85	11.2	9	52610-1072	10
15.6	13.85	10.2	8	52610-0972	9
14.6	12.85	9.2	7	52610-0872	8
13.6	11.85	8.2	6	52610-0772	7
12.6	10.85	7.2	5	52610-0672	6
11.6	9.85	6.2	4	52610-0572	5
D	(C)	B	(A)	MATERIAL NO.	極数 CKT

THIS DRAWING CONTAINS INFORMATION THAT IS PROPRIETARY TO MOLEX ELECTRONIC TECHNOLOGIES, LLC AND SHOULD NOT BE USED WITHOUT WRITTEN PERMISSION

DIMENSION UNITS	SCALE	CURRENT REV DESC:	
mm	---		
GENERAL TOLERANCES (UNLESS SPECIFIED)		<p>molex</p> <p>1.0 FPC CONN ZIF S/T HOUSING ASSY</p> <p>PRODUCT CUSTOMER DRAWING</p>	
ANGULAR TOL ± 3.0°			
4 PLACES	± 0.03		
3 PLACES	± 0.03		
2 PLACES	± 0.05		
1 PLACE	± 0.1	EC NO: 745355	2023/04/06
0 PLACES	± 0.2	DRWN: RAJMOK	2023/04/07
DRAFT WHERE APPLICABLE MUST REMAIN WITHIN DIMENSIONS		CHK'D: HSHIMOYAMA	2023/04/07
THIRD ANGLE PROJECTION		APPR: HSHIMOYAMA	2023/04/07
DRAWING		INITIAL REVISION:	DOCUMENT NUMBER
A3-SIZE		DRWN: YMIZUNO02	526101000
SERIES		APPR: TKUSUHARA01	DOC TYPE
52610		2016/10/12	PSD
MATERIAL NUMBER		2016/12/28	DOC PART
SEE TABLE			000
CUSTOMER			REVISION
GENERAL			C
SHEET NUMBER			1 OF 2

GENERAL TOLERANCES (UNLESS SPECIFIED)		
10 UNDER	±0.2	
10 OVER 30 UNDER	±0.25	
30 OVER	±0.3	

コネクタ位置
CONNECTOR
LOCATION

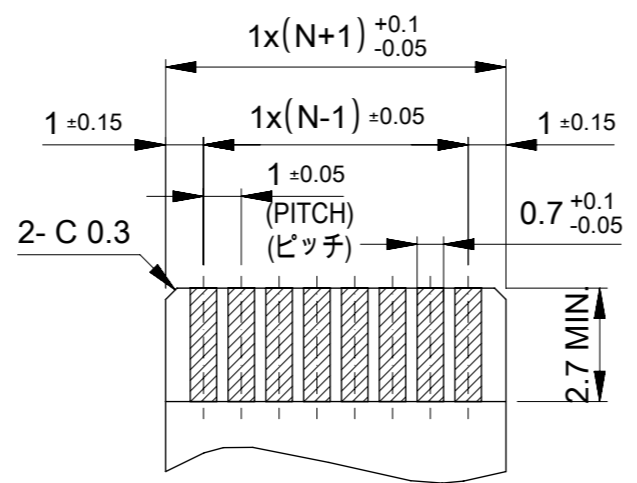


参考基盤レイアウト
RECOMMENDED P.C. BOARD
PATTERN LAYOUT (REFERENCE)

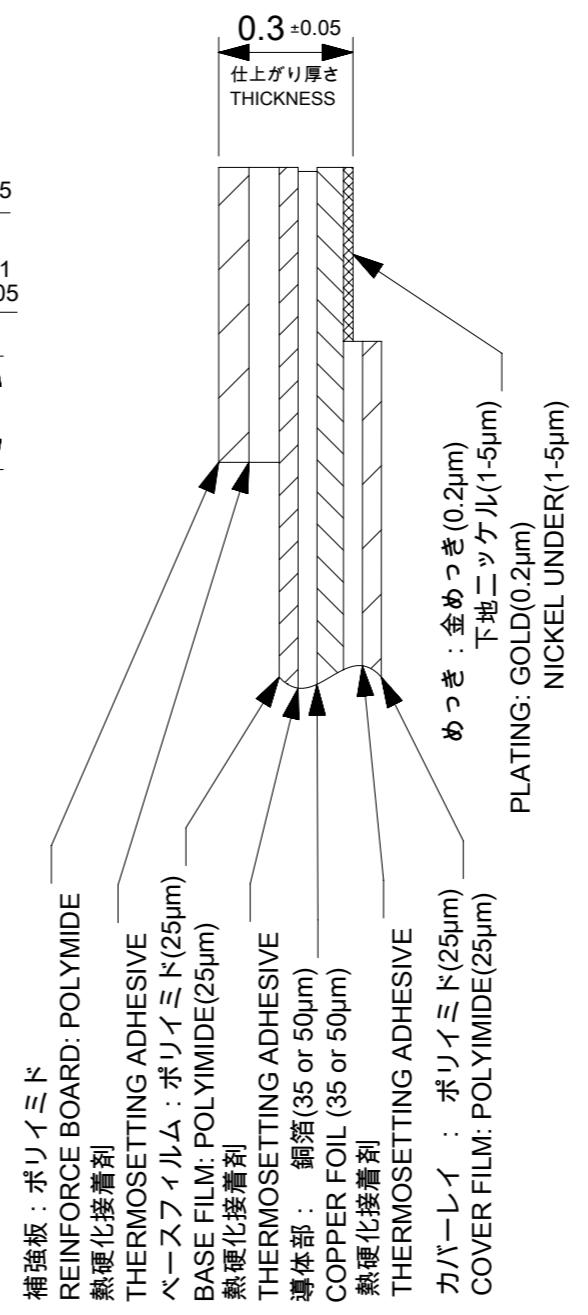
マスク厚 : 120µm
マスク開口率 : 100%
SCREEN THICKNESS : 120 MICROMETER
SCREEN OPEN RATIO : 100%

注記(NOTES):

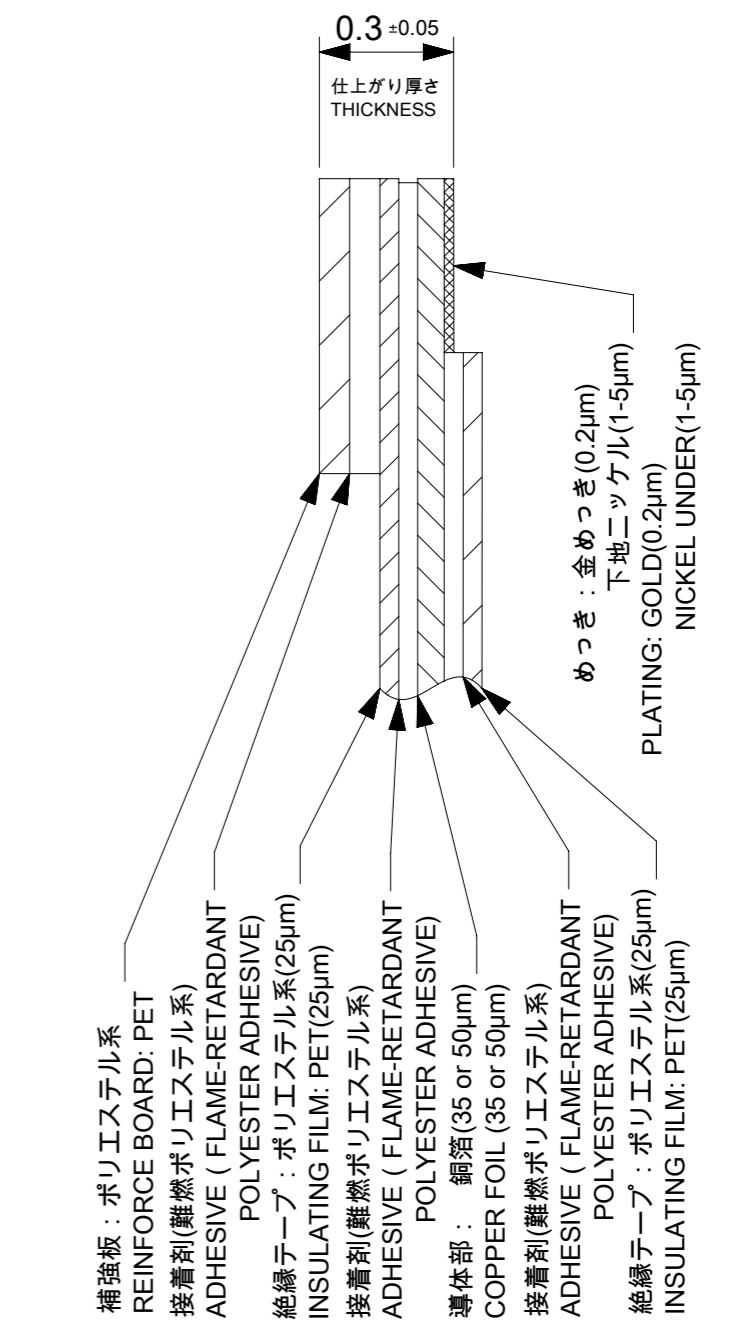
- 材質 MATERIAL
ハウジング : 46ナイロン、ガラス充填、UL94V-0、ナチュラル(白色)
アクチュエータ : PPS、ナチュラル(茶色)、ガラス充填、UL94V-0
ターミナル : リン青銅(t=0.32)
HOUSING : 46NYLON, GLASS FILLED, UL94V-0, NATURAL(WHITE)
ACTUAOR : PPS, NATURAL(BROWN), GLASS FILLED, UL94V-0
TERMINAL : PHOSPHOR BRONZE(t=0.32)
- めっき仕様 PLATING
ターミナル TERMINAL
接点部 : 金めっき(0.1µm以上)
テール部 : 錫めっき(1.0µm以上)
下地 : ニッケルめっき(1.0µm以上)
CONTACT : GOLD PLATING (0.1 MICROMETER MINIMUM)
TAIL : MATTE TIN (1.0 MICROMETER MINIMUM)
UNDER PLATE : NICKEL PLATING (1.0 MICROMETER MINIMUM)
- 3 ソルダーテール半田付け面のズレ量は、基準面 **F** に対し
上方向0.05MAX.、下方向0.15MAX.とする。
MISALIGNMENT OF SOLDER TAILS FROM **F** UPPER DIREVTION : 0.05 MAX.
LOWER DIRECTION : 0.15 MAX.
- 4 偶数極に適用。
APPLY FOR EVEN CIRCUIT.
- エンボステーブ梱包時は、アクチュエータがロックした状態とする。
IN THE PACKAGE, ACTUATOR SHOULD BE LOCKED.
- 本製品は52610シリーズの接点金めっき品である。
THIS PRODUCT IS Au-CONTACT OF 52610 SERIES.



適合FPC/FFC推奨寸法
APPLICABLE FPC/FFC
RECOMMENDED DIMENSION
(仕上がり厚さ : 0.3±0.05)
(THICKNESS : 0.3±0.05)



FPC構成推奨仕様
RECOMMENDED STRUCTURE OF FPC



FFC構成推奨仕様
RECOMMENDED STRUCTURE OF FFC

FPC/FFCについて：
抜き方向は、導体側から補強板側を推奨致します。
尚、接着剤の接点部への付着は導通不良の原因になりますので、
染み出しが無い様お願い致します。

ABOUT FPC/FFC:
RECOMMENDED PUNCHER DIRECTION:
FROM CONDUCTOR SIDE TO STIFFNER SIDE
PLEASE PUT APPROPRIATE AMOUNT OF ADHESIVE ON ADHEREND
BECAUSE THERE IS A POSSIBILITY THAT THE EXTRA ADHESIVE
CAUSES THE DEFECT IN ELECTRICAL CONTINUITY.

GENERAL TOLERANCES (UNLESS SPECIFIED)		
10 UNDER	±0.2	
10 OVER 30 UNDER	±0.25	
30 OVER	±0.3	

THIS DRAWING CONTAINS INFORMATION THAT IS PROPRIETARY TO MOLEX ELECTRONIC TECHNOLOGIES, LLC AND SHOULD NOT BE USED WITHOUT WRITTEN PERMISSION									
DIMENSION UNITS		SCALE		CURRENT REV DESC:					
mm		---							
GENERAL TOLERANCES (UNLESS SPECIFIED)									
ANGULAR TOL ± 3.0°									
4 PLACES		± 0.03		EC NO: 745355		2023/04/06		1.0 FPC CONN ZIF S/T HOUSING ASSY PRODUCT CUSTOMER DRAWING	
3 PLACES		± 0.03		DRWN: RAJMOK		2023/04/07			
2 PLACES		± 0.05		CHK'D: HSHIMOYAMA		2023/04/07			
INITIAL REVISION:									
1 PLACE		± 0.1		DRWN: YMIZUNO02		2016/10/12		DOCUMENT NUMBER: 526101000 DOC TYPE: PSD DOC PART: 000 REVISION: C	
0 PLACES		± 0.2		APPR: TKUSUHARA01		2016/12/28			
DRAFT WHERE APPLICABLE MUST REMAIN WITHIN DIMENSIONS									
THIRD ANGLE PROJECTION		DRAWING		SERIES		MATERIAL NUMBER		CUSTOMER	
A3-SIZE		52610		SEE SHEET-1		GENERAL		SHEET NUMBER: 2 OF 2	