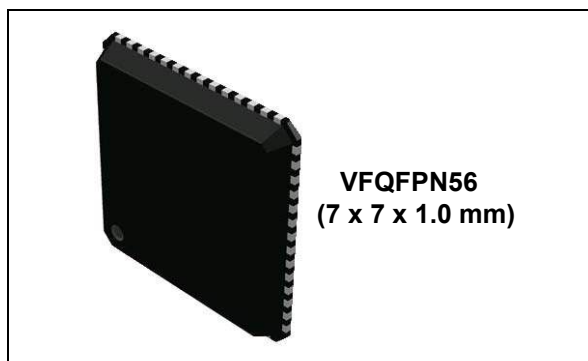


Automotive GPS/Galileo/GLONASS/BeiDou/QZSS receiver with embedded RF and in-package Flash

Datasheet - production data



Features



- AEC-Q100 qualified
- STMicroelectronics positioning receiver with 48 tracking channels and 2 fast acquisition channels supporting GPS, Galileo, GLONASS, BeiDou and QZSS systems
- ST-DRAW (Dead Reckoning Automotive Way) supported (STA8089FGAD only)
- Pin to pin compatible with STA8088FG
- Single die standalone receiver embedding RF Front-End and low noise amplifier
- -162 dBm indoor sensitivity (tracking mode)
- Fast TTFF < 1 s in Hot start and 30 s in Cold Start
- High performance ARM946 MCU (up to 196 MHz)
- 256 Kbyte embedded SRAM
- In-package SQI Flash Memory (16 Mbits)
- Real Time Clock (RTC) circuit
- 32-bit Watch-dog timer
- 3 UARTs
- 1 I²C master interface
- 1 Synchronous Serial Port (SSP, Motorola-SPI supported)

- USB2.0 full speed (12 MHz) with integrated physical layer transceiver
- 2 Controller Area Network (CAN)
- 2 channels ADC (10 bits)
- Operating condition:
 - Main voltage regulator (V_{INL}): 1.8 V \pm 5%
 - Backup voltage (V_{INB}): 1.6 V to 4.3 V
 - Digital voltage (V_{DD}): 1.1 V to 1.32 V
 - RF core voltage (V_{CC}): 1.2 V \pm 10%
 - IO Ring Voltage (V_{ddIO}): 1.8 V \pm 5% or 3.3 V \pm 10%
- Package:
 - VFQFPN56 (7 x 7 x 1.0 mm) 0.4 mm pitch
- Ambient temperature range: -40/+85°C

Description

STA8089FGA belongs to Teseo III family products. The device is a single die standalone positioning receiver IC working on multiple constellations (GPS/Galileo/GLONASS/BeiDou/QZSS).

STA8089FGA is compliant with ST Automotive Grade qualification which includes in addition to AEC-Q100 requirements a set of production flow methodologies targeting zero defect per million.

The device is backward compatible with STA8088FG, this enables fast customer application migration.

The device is offered with a complete GNSS firmware which performs all GNSS operations including tracking, acquisition, navigation and data output with no need of external memories.

STA8089FGAD can run also TESEO-DRAW the STMicroelectronics dead reckoning firmware.

Contents

- 1 Overview 6**
- 2 Pin description 7**
 - 2.1 Block diagram 7
 - 2.2 VFQFPN56 pin configuration 8
 - 2.3 Power supply pins 8
 - 2.4 Main function pins 9
 - 2.5 Test/emulated dedicated pins 9
 - 2.6 Communication interface pins 10
 - 2.7 General purpose pins 12
 - 2.8 RF front-end pins 12
- 3 General description 13**
 - 3.1 RF front end 13
 - 3.2 GPS/Galileo/GLONASS/BeiDou Base Band (G3BB+) processor 13
 - 3.3 MCU Subsystem 13
 - 3.3.1 AHB slaves 14
 - 3.4 APB peripherals 15
 - 3.4.1 CAN 15
 - 3.4.2 SSP 15
 - 3.4.3 UART 16
 - 3.4.4 Flash 16
 - 3.4.5 MTU 17
 - 3.4.6 WDT 17
 - 3.4.7 GPIO 17
 - 3.4.8 ADC 17
 - 3.4.9 RTC 17
- 4 Electrical characteristics 19**
 - 4.1 Parameter conditions 19
 - 4.2 Minimum and maximum values 19
 - 4.3 Typical values 19
 - 4.4 Typical curves 19

4.5	Absolute maximum ratings	19
4.6	Recommended DC operating conditions	21
4.7	DC characteristics	22
4.8	AC characteristics	23
4.8.1	RF electrical specifications	23
4.8.2	Oscillator electrical specifications	25
4.8.3	OSCI oscillator specifications	26
4.8.4	ADC specifications	26
4.8.5	Flash specifications	28
5	Package and packing information	29
5.1	ECOPACK packages	29
5.2	VFQFPN56 7 x 7 mm package information	29
6	Ordering information	31
7	Revision history	32

List of tables

Table 1.	Power supply pins	8
Table 2.	Main function pins	9
Table 3.	Test/emulated dedicated pins	9
Table 4.	Communication interface pins	10
Table 5.	General purpose pins	12
Table 6.	RF front-end pins	12
Table 7.	TCM Configuration	14
Table 8.	Voltage characteristics	19
Table 9.	Thermal characteristics	20
Table 10.	Frequency limits	20
Table 11.	Power consumption	20
Table 12.	Recommended DC operating conditions	21
Table 13.	LDO1 DC characteristics	22
Table 14.	LDO2 DC characteristics	22
Table 15.	Low voltage detection thresholds	22
Table 16.	I/O buffers DC characteristics	22
Table 17.	1.0 V I/O buffers DC characteristics	23
Table 18.	RFACHAIN – GALGPS filter and VGA	23
Table 19.	RFCHAIN – GLONASS/BeiDou filter and VGA	24
Table 20.	Synthesizer	24
Table 21.	Crystal recommended specifications	25
Table 22.	Oscillator amplifier specifications	25
Table 23.	Characteristics of external slow clock input	26
Table 24.	SARADC specifications	27
Table 25.	Flash specifications	28
Table 26.	VFQFPN56 package dimensions	29
Table 27.	Document revision history	32

List of figures

Figure 1.	STA8089FGA system block diagram	7
Figure 2.	VFQFPN56 connection diagram	8
Figure 3.	32.768 kHz crystal connection	26
Figure 4.	SARADC connections.	27
Figure 5.	VFQFPN56 7 x 7 mm package dimension	30
Figure 6.	Ordering information scheme	31

1 Overview

STA8089FGA is one of the part number of Teseo III STA8089x series.

The device is a highly integrated single-chip standalone GNSS receiver designed for positioning system applications. STA8089FGA embeds the new STMicroelectronics GNSS positioning engine capable of receiving signals from multiple satellite navigation systems, including the US GPS, European Galileo, Russia's GLONASS, Chinese BeiDou and Japan's QZSS.

STA8089FGAD can be offered also bundled with STMicroelectronics dead reckoning firmware called TESEO-DRAW.

The STA8089FGA ability of tracking simultaneously the signals from multiple satellites regardless of their constellation, make this chip capable of delivering exceptional accuracy in urban canyons and in the environments where buildings and other obstructions make satellite visibility challenging.

The STA8089FGA is backward compatible with STA8088FG, enabling fast customer application migration. The STA8089FGA combines a high performance ARM946 microprocessor with I/O capabilities and enhanced peripherals. It supports USB2.0 standard at full speed (12 Mbps) with on-chip PHY.

The chip embeds backup logic with real time clock. The device is offered with a complete firmware performing all positioning operations including acquisition, tracking, navigation and data output with no need of external memories.

The device powered with 1.8V enables the on-chip voltage regulators to internally supply the RF front-end, core logic and the backup logic. The device can be directly powered with 1.2 V bypassing the embedded voltage regulators which will be put in power down mode. I/O lines are compatible with 1.8 V and 3.3 V. The STA8089FGA, using STMicroelectronics CMOSRF Technology, is housed in a VFQFPN-56 (7 x 7 x 1.0 mm) package with stacked 16 Mbit Flash memory.

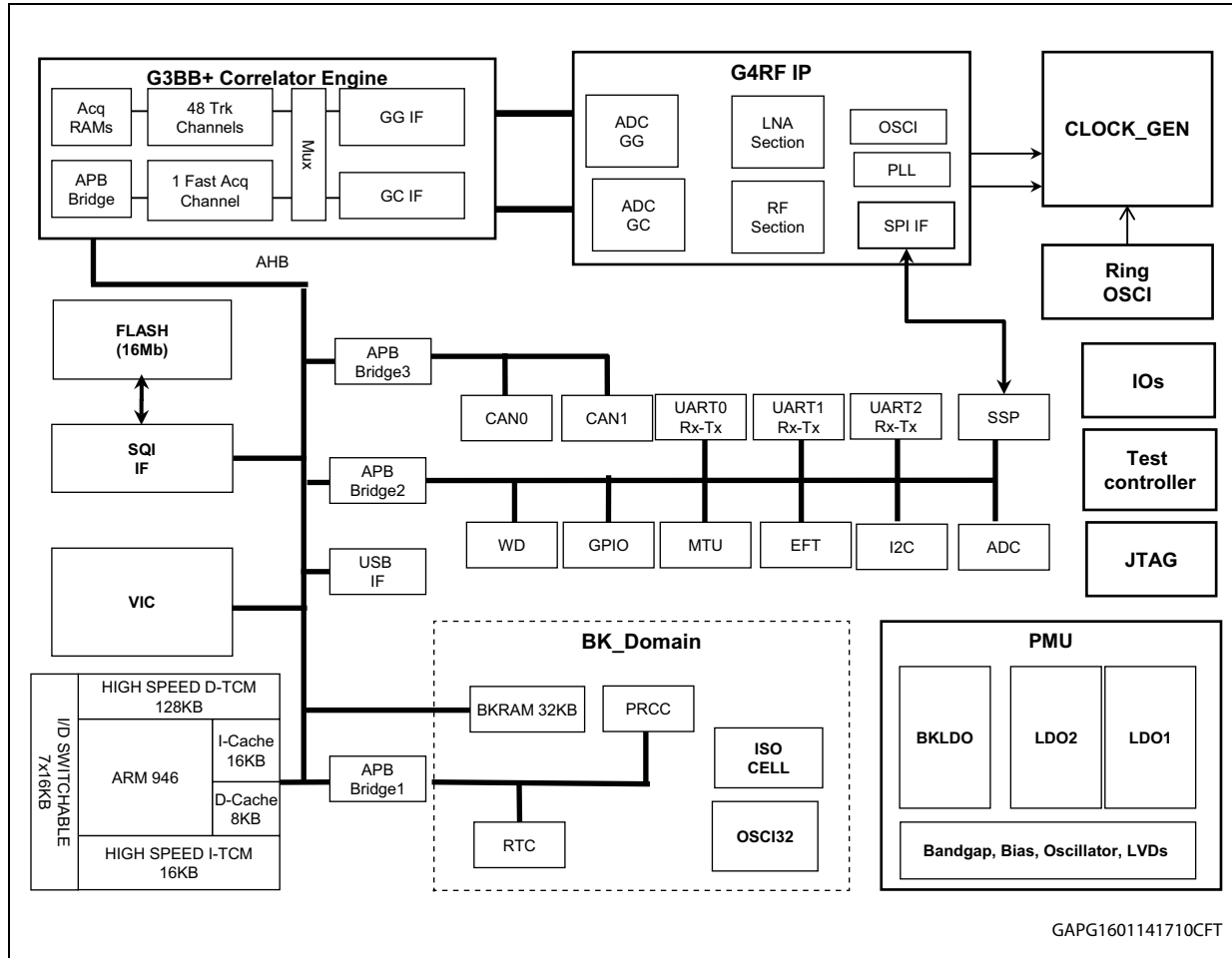
STA8089FGA is compliant with ST Automotive Grade qualification which includes in addition to AEC-Q100 requirements a set of production flow methodologies targeting zero defect per million.

STA8089FGA, fulfilling high quality and service level requirements of the Automotive market, is the ideal solution for in-dash navigation and OEM telematics applications.

2 Pin description

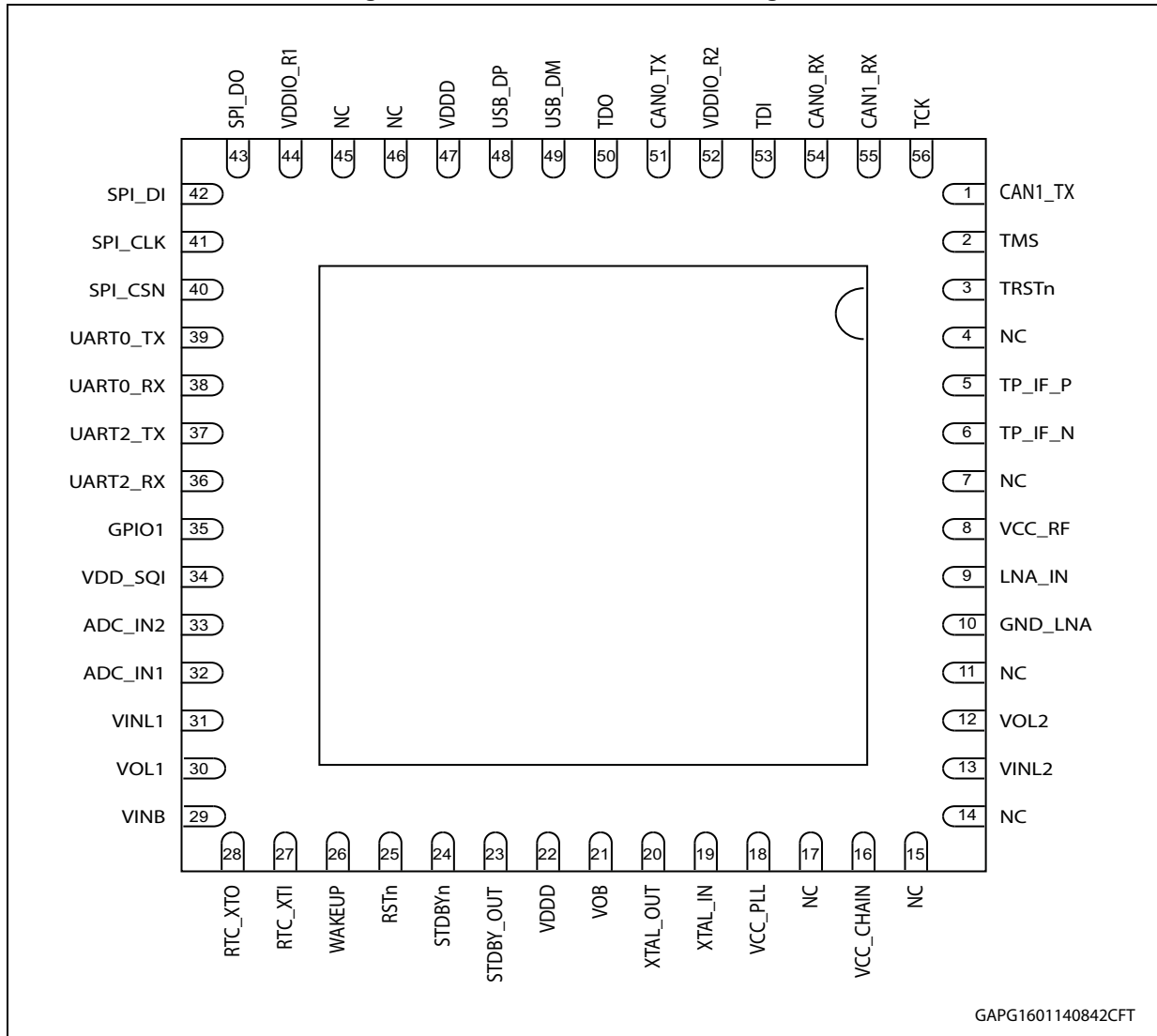
2.1 Block diagram

Figure 1. STA8089FGA system block diagram



2.2 VFQFPN56 pin configuration

Figure 2. VFQFPN56 connection diagram



2.3 Power supply pins

Table 1. Power supply pins

Symbol	I/O voltage	I/O	Description	STA8089FGA
VCC_CHAIN	1.2 V	PWR	Analog supply voltage for RF chain (1.2 V)	16
VCC_PLL	1.2 V	PWR	Analog supply voltage for PLL RF (1.2 V)	18
VCC_RF	1.2 V	PWR	Analog supply voltage for RF (1.2 V)	8
VDD_SQI	1.8 V	PWR	Digital supply voltage for SQI	34
VDDD	1.2 V	PWR	Digital supply voltage	22,47

Table 1. Power supply pins (continued)

Symbol	I/O voltage	I/O	Description	STA8089FGA
VDDIO_R1	1.8 V or 3.3 V	PWR	Digital supply voltage for I/O ring 1 (1.8 V or 3.3 V)	44
VDDIO_R2	3.3 V	PWR	Digital supply voltage for I/O ring 2 (3.3 V)	52
VINB	1.6 V - 4.3 V	PWR	Backup LDO input supply voltage (1.6 V to 4.3 V)	29
VINL1	1.8 V	PWR	LDO1 and ADC input supply voltage	31
VINL2	1.6 V - 4.3 V	PWR	LDO2 input supply voltage (1.6 V to 4.3 V)	13
VOB	1.0 V	PWR	LDO backup output voltage (1.0 V)	21
VOL1	1.2 V	PWR	LDO1 output voltage (1.2 V)	30
VOL2	1.2 V	PWR	LDO2 output voltage (1.2 V)	12
GND	GND	GND	Ground	EP
GND_LNA	GND	GND	Ground	10

2.4 Main function pins

Table 2. Main function pins

Symbol	I/O voltage	I/O	Description	STA8089FGA
ADC_IN1	1.4 V – 0 V typ range	I	ADC Analog input [1]	32
ADC_IN2	1.4 V – 0 V typ range	I	ADC Analog input [2]	33
RSTn	1.0 V	I	Reset Input with Schmitt-Trigger characteristics and noise filter.	25
RTC_XTI	1.0 V (max)	I	Input of the 32 KHz oscillator amplifier circuit and input of the internal real time clock circuit.	27
RTC_XTO	1.0 V (max)	O	Output of the oscillator amplifier circuit.	28
STDBY_OUT	1.0 V	O	When low, indicates the chip is in Standby mode	23
STDBYn ⁽¹⁾	1.0 V	I	When low, the chip is forced in Standby Mode - All pins in high impedance except the ones powered by Backup supply	24
WAKEUP	1.0 V	I	WAKEUP from STANDBY mode	26

1. As STDBYn is forced high to exit standby mode, VINL1 must be present within 200us.

2.5 Test/emulated dedicated pins

Table 3. Test/emulated dedicated pins

Symbol	I/O voltage	I/O	Description	STA8089FGA
TCK	VDDIO_R2	I	JTAG Test Clock	56
TDI	VDDIO_R2	I	JTAG Test Data In	53
TDO	VDDIO_R2	O	JTAG Test Data Out	50

Table 3. Test/emulated dedicated pins (continued)

Symbol	I/O voltage	I/O	Description	STA8089FGA
TMS	VDDIO_R2	I	JTAG Test Mode Select	2
TRSTn	VDDIO_R2	I	JTAG Test Circuit Reset	3
TP_IF_N	1.2 V	O	Diff. Test Point for IF - Neg.	6
TP_IF_P	1.2 V	O	Diff. Test Point for IF - Pos.	5

2.6 Communication interface pins

Table 4. Communication interface pins

Symbol	I/O voltage	I/O	Alternative function	Function	Description	STA8089FGA
CAN0_RX	VDDIO_R2	I	AF0 (default)	CAN0_RX	CAN0 receive data input	54
		I	AF1	UART0_RX	UART0 Rx data	
		I/O	AF2	T _{SENSE}	External temperature capture port	
		I/O	AF3	I2C_SD	I2C serial data	
CAN0_TX	VDDIO_R2	O	AF0 (default)	CAN0_TX	CAN0 transmit data output	51
		O	AF1	UART0_TX	UART0 Tx data	
		I/O	AF2	GPIO7	General purpose I/O #7	
		O	AF3	I2C_CLK	I2C clock	
CAN1_RX	VDDIO_R2	I/O	AF0	I2C_SD	I2C serial data	55
		I/O	AF1	GPIO9	General purpose I/O #9	
		I	AF2 (default)	CAN1_RX	CAN1 receive data input	
		I/O	AF3	SPI_CSN	SPI chip select active low	
CAN1_TX	VDDIO_R2	O	AF0	I2C_CLK	I2C clock	1
		I/O	AF1	GPIO8	General purpose I/O #8	
		O	AF2 (default)	CAN1_TX	CAN1 transmit data output	
		O	AF3	SPI_CLK	SPI clock	
SPI_CLK	VDDIO_R1	O	AF0 (default)	SPI_CLK	SPI clock	41
		I/O	AF1	GPIO25	General purpose I/O #25	
		O	AF2	SQI_CLK	SQI Flash clock	
		O	AF3	Reserved	—	

Table 4. Communication interface pins (continued)

Symbol	I/O voltage	I/O	Alternative function	Function	Description	STA8089FGA
SPI_CSN	VDDIO_R1	O	AF0 (default)	SPI_CSN	SPI chip select active low / IO_Power Sel Ring 1	40
		I/O	AF1	GPIO24	General purpose I/O #24	
		I/O	AF2	SQI_CEN	SQI Flash chip enable	
		I/O	AF3	Reserved	—	
SPI_DI	VDDIO_R1	I	AF0 (default)	SPI_DI	SPI serial data input / BOOT2	42
		I/O	AF1	T _{SENSE}	External temperature capture port	
		I/O	AF2	SQI_SIO0/SI	SQI Flash data IO 0 / ser. I	
		I/O	AF3	Reserved	—	
SPI_DO	VDDIO_R1	O	AF0 (default)	SPI_DO	SPI serial data output	43
		I/O	AF1	GPIO27	General purpose I/O #27	
		I/O	AF2	SQI_SIO1/SO	SQI Flash data IO 1 / ser. O	
		I/O	AF3	Reserved	—	
UART0_RX	VDDIO_R1	I	AF0 (default)	UART0_RX	UART0 Rx data	38
		O	AF1	SPI_DO	SPI serial data output	
		I/O	AF2	SQI_SIO2	SQI Flash data IO 2	
		I	AF3	Timer_ICAPA	Extended Function Timer - Input Capture_A	
UART0_TX	VDDIO_R1	O	AF0 (default)	UART0_TX	UART0 Tx data / BOOT1	39
		I	AF1	SPI_DI	SPI serial data input	
		I/O	AF2	SQI_SIO3	SQI Flash data IO 3	
		O	AF3	Timer_OCMPA	Extended Function Timer – Output Compare A	
UART2_RX	VDDIO_R1	I	AF0 (default)	UART2_RX	UART2 Rx data	36
		I/O	AF1	GPIO28	General purpose I/O #28	
		I/O	AF2	I2C_SD	I2C serial data	
		I/O	AF3	Reserved	—	
UART2_TX	VDDIO_R1	O	AF0 (default)	UART2_TX	UART2 Tx data / BOOT0	37
		I/O	AF1	GPIO29	General purpose I/O #29	
		O	AF2	I2C_CLK	I2C clock	
		I/O	AF3	Reserved	—	

Table 4. Communication interface pins (continued)

Symbol	I/O voltage	I/O	Alternative function	Function	Description	STA8089FGA
USB_DM	VDDIO_R2	USB	AF0	USB_DM	USB D- signal	49
		I	AF1 (default)	UART1_RX	UART1 Rx data	
		I	AF2	CAN1_RX	CAN1 receive data input	
		I/O	AF3	I2C_SD	I2C serial data	
USB_DP	VDDIO_R2	USB	AF0	USB_DP	USB D+ signal	48
		O	AF1 (default)	UART1_TX	UART1 Tx data	
		O	AF2	CAN1_TX	CAN1 transmit data output	
		O	AF3	I2C_CLK	I2C clock	

2.7 General purpose pins

Table 5. General purpose pins

Symbol	I/O voltage	I/O	Alternative function	Function	Description	STA8089FGA
GPIO1	VDDIO_R1	I/O	AF0 (default)	GPIO1	General purpose I/O #1 / BOOT3	35
		I/O	AF1	Reserved	—	
		O	AF2	PPS_OUT	Pulse per second output	
		I/O	AF3	T _{SENSE}	External temperature capture port	

2.8 RF front-end pins

Table 6. RF front-end pins

Symbol	I/O voltage	I/O	Description	STA8089FGA
LNA_IN	1.2 V	I	Low Noise Amplifier Input	9
XTAL_IN	1.2 V	I	Input Side of Crystal Oscillator or TCXO Input	19
XTAL_OUT	1.2 V	O	Output Side of Crystal Oscillator	20

3 General description

3.1 RF front end

The RF front-end is able to down-convert both the GPS-Galileo signal from 1575.42 MHz to 4.092 MHz (4 Fo, being F0 = 1.023 MHz), the GLONASS signal from 1601.718 MHz to 8.57 MHz and the BeiDou signal from 1561.098 MHz to 10.23 MHz.

It embeds high performance LNA minimizing external component count and two LDOs to supply the internal core facilitating requirements for external power supply. A three bits ADC converts the IF signals to sign (SIGN) and magnitude (MAG0 and MAG1). They can be sampled or not by SPI. The magnitude bits are internally integrated in order to control the variable gain amplifiers. The VGA gain can be also set by the SPI interface.

The RF tuner accepts a wide range of reference clocks (10 to 52 MHz) and can generate 64 Fo sampling clock for the baseband and 192 Fo clock for MCU subsystem.

3.2 GPS/Galileo/GLONASS/BeiDou Base Band (G3BB+) processor

STA8089FGA integrates G3BB+ proprietary IP, which is the ST last generation high-sensitivity Baseband processor fully compliant with GPS, Galileo, GLONASS and BeiDou systems.

The baseband receives, from the embedded RF Front-End, two separate IF signals coded in sign-magnitude digital format on 3 bits and the related clocks. The Galileo/GPS (GALGPS) and GLONASS/BeiDou (GNSCOM) signals at the base band inputs are centered on 4.092 MHz, 8.57 MHz and 10.23 MHz.

The baseband processes the two IF signals performing data codification, sample rate conversion and final frequency conversion to zero IF before acquisition and tracking correlations.

The baseband processor has the capability of acquiring and tracking the Galileo, GPS, GLONASS and BeiDou signals in a simultaneous or single way, or a combination of three, being GLONASS and BeiDou mutually exclusive. The number of tracking channels to be used is programmable; the not used tracking channels can be powered down.

A complete multi-OS software library is provided by ST to handle GPS processing, managing satellite acquisition, tracking, pseudo-range calculation and positioning, generating the output in the standard NMEA message format or in a ST binary format. The library includes support of ST self-trained assisted GPS (ST-AGPS), a complete and scalable solution for assisting GPS start-up with autonomous and server-based ephemeris prediction and extension.

3.3 MCU Subsystem

The implemented sub-system includes an AHB Lite bus matrix.

An ARM946 core is embedded in the sub-system and masters the AHB bus. The totally available TCM SRAM is 256 KB. The amount of memory on ITCM and DTCM can be

configured by the ARM946 (see [Table 7: TCM Configuration](#)). ITCM can be configured as $N_i \times 16$ KB; DTCM can be configured as $128 + N_d \times 16$ KB, where $N_i + N_d = 8$, $N_i \geq 1$.

Table 7. TCM Configuration

TCMcfg [2]	TCMcfg [1]	TCMcfg [0]	ITCM	DTCM
0	0	0	16 KB	240 KB
0	0	1	32 KB	224 KB
0	1	0	48 KB	208 KB
0	1	1	64 KB	192 KB
1	0	0	80 KB	176 KB
1	0	1	96 KB	160 KB
1	1	0	112 KB	144 KB
1	1	1	128 KB	128 KB

3.3.1 AHB slaves

- G3 APB port that allows to interface with the G3BB acquisition memory and control registers.
- 512 Kbytes ROM
- Vectored Interrupt Controller (VIC).
- SQI flash memory controller
- 3 x ARM946 APB peripheral bus (APB1, APB2, APB3).

Vectored Interrupt Controller (VIC)

This Vectored Interrupt Controller (VIC) allows the operative system interrupt handler to quickly dispatch interrupt service routines in response to peripheral interrupts. It provides a software interface to the interrupt system. There are up to 64 interrupt lines. The VIC uses a bit position for each different interrupt source.

The software can control each request line to generate software interrupts. Each interrupt line can be independently enabled and configured to trigger a non-vectored Normal Interrupt Request (IRQ) or Fast Interrupt Request (FIQ) to the ARM946 CPU. Sixteen interrupt lines can also be selected to trigger a vectored IRQ.

The VIC has two operation modes: the user mode and the privilege mode, in order to have the possibility to set (or not) one level of protection during execution.

FS USB device controller

Full speed USB device with transceiver. It is an AHB slave. When active requires a 48 MHz clock XTAL_IN.

3.4 APB peripherals

3.4.1 CAN

The 2 CAN cores perform communication according to the CAN protocol version 2.0 part A and B. The bit rate can be programmed to values up to 1 MBit/s. For the connection to the physical layer, additional transceiver hardware is required.

CAN consists of the CAN core, message RAM, message handler, control registers and module. For communication on a CAN network, individual message objects are configured. The message objects and identifier masks for acceptance filtering of received messages are stored in the message RAM. All functions concerning the handling of messages are implemented in the message handler. These functions include acceptance filtering, the transfer of messages between the CAN core and the message RAM, and the handling of transmission requests as well as the generation of the module interrupt.

The register set of the CAN can be accessed directly by the CPU through the module interface. These registers are used to control/configure the CAN core and the message handler and to access the message RAM.

CAN features

- Supports CAN protocol version 2.0 part A and B
- Bit rates up to 1 MBit/s
- Each message object has its own identifier mask
- Maskable interrupt
- Disabled automatic re-transmission mode for time triggered CAN applications
- Programmable loop-back mode for self-test operation
- Two 16-bit module interfaces to the AMBA APB bus from ARM

3.4.2 SSP

The SSP is a master interface for synchronous serial communication with peripheral devices that have Motorola SPI.

The SSP performs serial-to-parallel conversion on data received from a peripheral device on SPI_DI pin, and parallel-to-serial conversion on data written by CPU for transmission on SPI_DO pin. The transmit and receive paths are buffered with internal FIFO memories allowing up to 32 x 32-bit values to be stored independently in both transmit and receive modes. FIFOs may be burst-loaded or emptied by the system processor or DMA, from one to eight words per transfer. Each 32-bit word from the system fills one entry in FIFO.

The SSP includes a programmable bit rate clock divider and prescaler to generate the serial output clock SSPCLK from the on-chip clock. One combined interrupt is delivered, which is asserted from several internal maskable events.

SSP features

The SSP has the following features:

- Parallel-to-serial conversion on data written to an internal 32-bit wide, 32-location deep transmit FIFO
- Serial-to-parallel conversion on received data, buffering it in a 32-bit wide, 32-location deep receive FIFO
- Programmable data frame size from 4 to 32 bits,
- Programmable clock bit rate and prescaler
- Programmable clock phase and polarity in SPI mode

3.4.3 UART

The UARTx (x = 0|1|2) performs serial-to-parallel conversion on data asynchronously received from a peripheral device on UARTx_RX pin, and parallel-to-serial conversion on data written by CPU for transmission on UARTx_TX pin. The transmit and receive paths are buffered with internal FIFO memories allowing up to 64 data byte for transmission, and 64 data byte with 4-bit status (break, frame, parity, and overrun) for receive.

UART features

The UARTx (x = 0|1|2) are Universal Asynchronous Receiver/Transmitter that support much of the functionality of the industry-standard 16C650 UART. The main features are:

- Programmable baud rates up to $\text{UARTCLK} / 16$ (1.5 Mbps with UARTCLK at 24 MHz), or up to $\text{UARTCLK} / 8$ (3.0 Mbps with UARTCLK at 24 MHz), with fractional baud-rate generator
- 5, 6, 7 or 8 bits of data
- Even, odd, stick or no-parity bit generation and detection
- 1 or 2 stop bit generation
- Support of software flow control using programmable Xon/Xoff characters
- False start bit detection
- Line break generation and detection
- Separate 8-bit wide, 64-deep transmit FIFO and 12-bit wide, 64-deep receive FIFO
- Programmable FIFO disabling for 1-byte depth data path

These UARTs vary from industry-standard 16C650 on some minor points which are:

- Receive FIFO trigger levels
- The internal register map address space, and the bit function of each register differ
- The deltas of the modem status signals are not available
- 1.5 stop bits is not supported
- Independent receive clock feature is not supported

3.4.4 Flash

The STA8089FGA integrates 16Mbits of Flash Memory. This eliminates the need external Flash simplifying the routing associated to integrate a GPS receiver into a customer board.

3.4.5 MTU

The 2 Multi Timer Units provide access to eight interrupt generating programmable 32-bit Free-Running decrementing Counters (FRCs). The FRCs have their own clock input, allowing the counters to run from a much slower clock than the system clock.

The FRC is the part of the timer that performs the counting. There are four instantiations of the FRC block in each MTU, allowing eight counts to be performed in parallel. The 32-bit counter in the FRC is split up into two 16-bit counters.

3.4.6 WDT

Watchdog Timer (WDT) provides a way of recovering from software crashes. The watchdog clock is used to generate a regular interrupt (WDOGINT), depending on a programmed value.

The watchdog monitors the interrupt and asserts a reset signal (WDOGRES) if the interrupt remains unserved for the entire programmed period. You can enable or disable the watchdog unit as required.

Note: Watchdog is stalled when the ARM processor is in Debug mode.

3.4.7 GPIO

The GPIO block provides twelve (12) programmable inputs or outputs. Each input or output can be controlled in two modes:

- software mode through an APB bus interface
- alternate mode, where GPIO becomes a peripheral input or output line

Any GPIO input can be independently enabled or disabled (masked) for interrupt generation. User can select for each GPIO which edge (rising, falling, both) will trigger an interrupt.

3.4.8 ADC

10 bit SAR ADC operating at 1.8 V analog supply. It can convert up to 2 single ended channels with analog input multiplexer at 500KSPS

3.4.9 RTC

This is an always-on power domain dedicated to RTC logic (backup system) with 32 Kbyte SRAM and supplied with a dedicated voltage regulator.

The RTC provides a high resolution clock which can be used for GPS. It keeps the time when the system is inactive and can be used to wake the system up when a programmed alarm time is reached. It has a clock trimming feature to compensate for the accuracy of the 32.768 kHz crystal and a secured time update.

RTC features

- 47-bit counter clocked by 32.768 kHz clock
- 32-bit for the integer part (seconds) and 15-bit for the fractional part
- The integer part and the fractional part are readable independently
- The counter, once enabled, can be stopped
- Integer part load register (32-bit)
- Fractional part load register (15-bit)
- Load bit to transfer the content of the entire load register (integer+fractional part) to the 47-bit counter. Once set by the MCU this bit is cleared by the hardware to signal to the MCU that the RTC has been updated.

4 Electrical characteristics

4.1 Parameter conditions

Unless otherwise specified, all voltages are referred to GND.

4.2 Minimum and maximum values

Unless otherwise specified the minimum and maximum values are guaranteed in the worst conditions of ambient temperature, supply voltage and frequencies by tests in production on 100% of the devices.

STA8089FGA parts are tested at $T = -40\text{ °C}$ and $T = 85\text{ °C}$.

4.3 Typical values

Unless otherwise specified, typical data are based on $T_A = 25\text{ °C}$, $V_{\text{ddio}} = 1.8\text{ V}$, $V_{\text{dd}} = 1.20\text{ V}$. They are given only as design guidelines and are not tested.

4.4 Typical curves

Unless otherwise specified, all typical curves are given only as design guidelines and are not tested.

4.5 Absolute maximum ratings

This product contains devices to protect the inputs against damage due to high static voltages, however it is advisable to take normal precautions to avoid application of any voltage higher than the specified maximum rated voltages.

[Table 8](#) lists the absolute maximum rating for STA8089FGA.

Table 8. Voltage characteristics

Symbol	Parameter	Min.	Max.	Unit
$V_{\text{CC_CHAIN}}$	Analog supply voltage for RF chain (1.2 V)	-0.3	1.32	V
$V_{\text{CC_PLL}}$	Analog supply voltage for PLL RF (1.2 V)	-0.3	1.32	V
$V_{\text{CC_RF}}$	Analog supply voltage for RF (1.2 V)	-0.3	1.32	V
V_{DDD}	Power supply pins for the core logic	-0.3	1.32	V
$V_{\text{DD_SQI}}$	Digital supply voltage for SQI	-0.3	1.95	V
$V_{\text{DDIO_R1}}$	Digital supply voltage for I/O ring 1 (1.8 V or 3.3 V)	-0.3	3.63	V
$V_{\text{DDIO_R2}}$	Digital supply voltage for I/O ring 2 (3.3 V)	-0.3	3.63	V
V_{INB}	Backup LDO input supply voltage (1.6 V to 4.3 V)	-0.3	4.8	V
V_{INL1}	LDO1 input supply voltage (1.8 V)	-0.3	1.98	V

Table 8. Voltage characteristics (continued)

Symbol	Parameter	Min.	Max.	Unit
V _{INL2}	LDO2 input supply voltage (1.6 V to 4.3 V)	-0.3	4.8	V
V _{ESD-HBM}	Electrostatic discharge, human body model ⁽¹⁾	-2	2	kV
V _{ESD-CDM}	Electrostatic discharge, charge device model ⁽²⁾	-250	250	V

1. Pins sustaining only ±500 V are: 12, 13, 21, 27, 28, 29, 30 and 31
2. Pin 9 (LNA_IN) sustains only ±100 V.

Note: Stresses above those listed under “Absolute Maximum Ratings” may cause permanent damage to the device. This is a stress rating only and functional operation of the device at these or any other conditions above those indicated in the operational sections of this specification is not implied. Exposure to absolute maximum rating conditions for extended periods may affect device reliability.

Table 9. Thermal characteristics

Symbol	Parameter	Min.	Max.	Unit
T _{oper}	Operative ambient temperature	-40	85	°C
T _j	Operative junction temperature	-40	125	°C
T _{st}	Storage temperature	-55	150	°C
R _{j-amb}	Thermal resistance junction to ambient ⁽¹⁾		24.4	°C/W

1. According to JEDEC specification on a 2 layers board.

Table 10. Frequency limits

Symbol	Parameter	Test condition	Min.	Typ.	Max.	Unit
F _{CLK}	Operating ARM9 CPU frequency	V _{DDD} = 1.2 V; T _C = 85 °C ⁽¹⁾	—	—	196	MHz
F _{AHB}	AHB frequency		—	—	49	MHz

1. Not tested in production.

Table 11. Power consumption

Symbol	Parameter	Test condition	Min.	Typ.	Max.	Unit
P _{RF}	RFIP power (total V _{INL2})	G2 = GPS/Galileo; T _{amb} = 25 °C; V _{INL2} = 1.8 V	—	25	—	mW
		G2 + GLONASS; T _{amb} = 25 °C; V _{INL2} = 1.8 V	—	35	—	mW
		G2 + COMPASS; T _{amb} = 25 °C; V _{INL2} = 1.8 V	—	35	—	mW

Table 11. Power consumption (continued)

Symbol	Parameter	Test condition	Min.	Typ.	Max.	Unit
$P_{MVR}^{(1)}$	Switchable area power; (total V_{INL1})	$f_{ARM} = 196$ MHz; $f_{AHB} = 49$ MHz; $T_{amb} = 25$ °C; $V_{INL1} = .8$ V; UART active; other peripherals inactive	—	90	—	mW
$P_{LPVR}^{(1)}$	Always ON area power (total V_{INB})	$f_{ARM} = 196$ MHz; $f_{AHB} = 49$ MHz; $T_{amb} = 25$ °C; $V_{INB} = 3.3$ V	—	1	—	mW
$P_{IO}^{(1)}$	IO rings power (total $V_{DDIO_R1} + V_{DDIO_R2}$)	$f_{ARM} = 196$ MHz; $f_{AHB} = 49$ MHz; $T_{amb} = 25$ °C; $V_{INL1} = 1.8$ V; UART active; other peripherals inactive	—	4	—	mW
$I_{DStandby}$	Standby mode supply current	RTC running = 32.768 KHz; $T_{amb} = 25$ °C; $V_{INB} = 1.8$ V	—	29	—	µA
$I_{DDeepStandby}$	Deep standby mode supply current ⁽²⁾		—	7	20	µA

1. Not tested in production.

2. STDBY_OUT pin not supported in deep standby.

4.6 Recommended DC operating conditions

Table 12 lists the functional recommended operating DC parameters for STA8089FGA.

Table 12. Recommended DC operating conditions

Symbol	Parameter	Min.	Typ.	Max.	Unit
V_{CC_CHAIN}	Analog supply voltage for RF chain (1.2 V)	1.08	1.20	1.32	V
V_{CC_PLL}	Analog supply voltage for PLL RF (1.2 V)	1.08	1.20	1.32	V
V_{CC_RF}	Analog supply voltage for RF (1.2 V)	1.08	1.20	1.32	V
V_{DD_SQI}	Flash power supply	1.71	1.80	1.89	V
V_{DDD}	Power supply pins for the core logic	1.1	1.2	1.32	V
V_{DDIO_R1}	Digital supply voltage for I/O ring 1 (1.8 V)	1.71	1.80	1.89	V
	Digital supply voltage for I/O ring 1 (3.3 V)	3.00	3.30	3.60	V
V_{DDIO_R2}	Digital supply voltage for I/O ring 2 (3.3 V)	3.00	3.30	3.60	V
V_{INB}	Backup LDO input supply voltage (1.6 V to 4.3 V)	1.60		4.30	V
V_{INL1}	LDO1 input supply voltage (1.8 V)	1.71		1.89	V
V_{INL2}	LDO2 input supply voltage (1.6 V to 4.3 V)	1.60		4.30	V
T_C	Operating case temperature	-40		85	°C

4.7 DC characteristics

Table 13 specifies the LDO1 voltage regulator characteristics.

Table 13. LDO1 DC characteristics

Symbol	Parameter	Test condition	Min.	Typ.	Max.	Unit
V_{OL1}	Output voltage (1.2V)	$1.71\text{ V} \leq V_{INL1} \leq 1.89\text{ V};$ $I_{OL1} \leq 70\text{ mA}$	1.1	1.20	1.32	V
I_{OL1}	Output current		0	—	70	mA

Table 14 specifies the LDO2 voltage regulator characteristics.

Table 14. LDO2 DC characteristics

Symbol	Parameter	Test condition	Min.	Typ.	Max.	Unit
V_{OL2}	Output voltage	$1.6\text{ V} \leq V_{INL2} \leq 4.3\text{ V};$ $I_{OL2} \leq 30\text{ mA}$	1.08	1.20	1.32	V
I_{OL2}	Output current		0	—	30	mA

Table 15 specifies the low voltage detection thresholds.

Table 15. Low voltage detection thresholds

Parameter		Min.	Typ.	Max.	Unit
Input LVD always on VR ⁽¹⁾	Upper voltage threshold	—	1.680	—	V
	Lower voltage threshold	—	1.650	—	V
Output LVD always on VR ⁽¹⁾	Upper voltage threshold	—	0.995	—	V
	Lower voltage threshold	—	0.935	—	V
Output LVD main VR ⁽¹⁾	Upper voltage threshold @ $V_{OL1} = 1.2\text{ V}$	—	1.142	—	V
	Lower voltage threshold @ $V_{OL1} = 1.2\text{ V}$	—	1.076	—	V

1. Not tested in production.

Table 16 lists the DC characteristics for all the IO digital buffers except for the following input buffers: STBYn (24), STDBY_OUT (23), WAKEUP (26) and RSTn (25).

Table 16. I/O buffers DC characteristics

Symbol	Parameter	Test conditions	Min.	Typ.	Max.	Unit
$V_{IL}^{(1)}$	Logical input low level voltage	$V_{DDIO} = 1.8\text{ V}$	-0.3	—	$0.3 * V_{DDIO}$	V
		$V_{DDIO} = 3.3\text{ V}$	-0.3	—	0.8	V
$V_{IH}^{(1)}$	Logical input high level voltage	$V_{DDIO} = 1.8\text{ V}$	$0.7 * V_{DDIO}$	—	$V_{DDIO} + 0.3$	V
		$V_{DDIO} = 3.3\text{ V}$	2.0	—	$V_{DDIO} + 0.3$	V
$V_{HYST}^{(2)}$	Schmitt-trigger hysteresis	—	50	—		mV

Table 16. I/O buffers DC characteristics (continued)

Symbol	Parameter	Test conditions	Min.	Typ.	Max.	Unit
V _{OL}	Low level output voltage	V _{DDIO} = 1.8 V		—	0.4	V
		V _{DDIO} = 3.3V		—	0.4	V
V _{OH}	High level output voltage	V _{DDIO} = 1.8 V	V _{DDIO} - 0.4	—		V
		V _{DDIO} = 3.3V	V _{DDIO} - 0.4	—		V

1. Excludes oscillator inputs RTC_XTI and XTAL_IN. Refer to oscillator electrical specifications.
2. Apply to all digital inputs unless specified otherwise.

Table 17 lists the DC characteristics for the 1.0 V IO digital buffers input buffers: STBYn (24), STDBY_OUT (23), WAKEUP (26) and RSTn (25).

Table 17. 1.0 V I/O buffers DC characteristics

Symbol	Parameter	Test conditions	Min.	Typ.	Max.	Unit
V _{IL}	Logical input low level voltage	V _{OB} = 1.0 V	-0.3	—	0.35 * V _{OB}	V
V _{IH}	Logical input high level voltage	V _{OB} = 1.0 V	0.65 * V _{OB}	—	V _{OB} + 0.3	V
V _{OL}	Low level output voltage	V _{OB} = 1.0 V		—	0.2	V
V _{OH}	High level output voltage	V _{OB} = 1.0 V	V _{OB} - 0.2	—		V

4.8 AC characteristics

4.8.1 RF electrical specifications

Table 18. RFACHAIN – GALGPS filter and VGA

Symbol	Parameter	Test conditions	Min	Typ	Max	Unit
S ₁₁ ⁽¹⁾	Input return loss	GPS band	—	-8		dB
f _{IF}	IF frequency	PLL in default condition with 26Mhz as reference	—	4.045		MHz
NF	Noise figure	NF overall chain with AGC set at 0 dB	—	2 ⁽¹⁾		dB
C _G	Conversion gain from RF input to ADC input	VGA at min gain	—	69		dB
		VGA at max gain	—	119		dB
IP _{1dB}	RF-IF-VGA input compression point	VGA min	—	-80		dBm
IRR	Image rejection ratio		—	20		dB
BW _{GPS}	-3dB IF bandwidth	GPS mode	—	2.4		MHz
BW _{GAL}		Galileo mode	—	4.8		MHz

Table 18. RFACHAIN – GALGPS filter and VGA (continued)

Symbol	Parameter	Test conditions	Min	Typ	Max	Unit
ATT	Alias frequency rejection	F = 60 MHz (fs = 65.474 MHz)	—	30		dB
T _{gGPS}	IF filter group delay variation	GPS mode	—		200 ⁽¹⁾	ns
T _{gGAL}		Galileo mode	—		30 ⁽¹⁾	ns

1. Not tested in production.

Table 19. RFCHAIN – GLONASS/BeiDou filter and VGA

Symbol	Parameter	Test conditions	Min	Typ	Max	Unit
S11 ⁽¹⁾	Input return loss	GLONASS band		-10		dB
		BeiDou band		-7		
f _{IFGNS/BDU}	IF frequency for GLONASS	PLL in default condition with 26 Mhz as reference	—	8.519		MHz
	IF frequency for BeiDou		—	10.277		
NF	Noise figure	NF overall chain with AGC set at 0 dB	—	2 ⁽¹⁾		dB
C _G	Conversion gain from RF input to ADC input	VGA at min gain	—	68		dB
		VGA at max gain	—	118		dB
IP _{1dB}	RF-IF-VGA input compression point	VGA min	—	-80		dBm
IRR	Image rejection ratio		—	25		dB
BW _{GNS/BDU}	-3dB IF bandwidth		—	10		MHz
ATT	Alias frequency rejection	F = 53 MHz (fs = 65.474 MHz)	—	30		dB
T _{gGNS/BDU}	IF filter group delay variation		—		20 ⁽¹⁾	ns

1. Not tested in production.

Table 20. Synthesizer

Symbol	Parameter	Min.	Typ.	Max.	Unit
F _{TCXO_XTAL}	Input frequency for xtal amplifier ⁽¹⁾	10		52	MHz
R _{DIV}	Reference divider range	1		63	
N _{DIV}	Loop divider range	56		2047	
F _{LO}	LO operating frequency		3142.656		MHz

1. That amplifier can be used also as a TCXO input buffer

4.8.2 Oscillator electrical specifications

This device contains two oscillators:

- a 32.768 kHz oscillator/buffer for RTC circuit.
- an OSCI oscillator/buffer in the RF Front-End

When used in oscillator mode, each oscillator requires a specific crystal, with parameters that must be as close as possible to the following recommended values. When used in input buffer mode, an external clock source must be applied.

32.768 kHz OSCI32 oscillator specifications

The 32.768 kHz OSCI32 oscillator is connected between RTC_XTI (oscillator amplifier input) and RTC_XTO (oscillator amplifier output). It also requires two external capacitors of 18 pF^(a), as shown on [Figure 3](#).

OSCI32 is disabled by default and must be enabled by setting bit28-OSCI_EN of PRCC_BACKUP_REG0 to have 32.768KHz oscillation when an XTAL pi-network is connected to RTC_XTI/RTC_XTO pins.

The recommended oscillator specifications are shown in [Table 21](#):

Table 21. Crystal recommended specifications

Symbol	Parameter	Min.	Typ.	Max.	Unit
F _{SXTAL}	Crystal frequency ⁽¹⁾	—	32.768	—	kHz
LM _{SXTAL}	Motion inductance ⁽¹⁾	—	5	—	kH
CM _{SXTAL}	Motional capacitance ⁽¹⁾	—	5.0	—	fF
CO _{SXTAL}	Shunt capacitance ⁽¹⁾	—	1.3	—	pF
ESR	Resonance resistance ⁽¹⁾	—	—	80	kΩ
CL	External load capacitance ⁽¹⁾	—	18	—	pF

1. Not tested in production.

The oscillator amplifier specifications are shown in the following table:

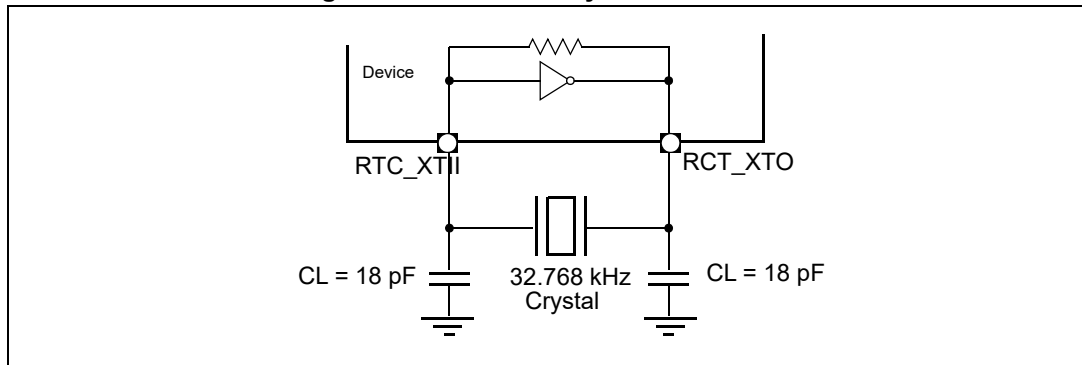
Table 22. Oscillator amplifier specifications

Symbol	Parameter	Min.	Typ.	Max.	Unit
T _S	Startup time ⁽¹⁾	—	0.3	0.6	s
DL	Drive level ⁽¹⁾	—	—	<0.1	μW
RLC	Required load capacitance ⁽¹⁾	—	12.5	—	pF
GM	Startup transconductance	22.5	33.6	—	μA/V

1. Not tested in production.

a. Using crystal with recommended characteristics as per [Table 21](#).

Figure 3. 32.768 kHz crystal connection



To drive the 32.768 kHz crystal pins from an external clock source:

- Disable the oscillator (bit28-OSCI_EN = 0b in PRCC_BACKUP_REG0 register). This disables the internal inverter, thus reducing the power consumption to minimum.
- Drive the RTC_XTI pin with a square signal or a sine wave.

Table 23. Characteristics of external slow clock input

Symbol	Parameter	Min.	Typ.	Max.	Unit
T _{JIT} (cc)	Cycle-to-cycle jitter	-70	—	70	ps
T _{JIT} (per)	Period jitter	-70	—	70	ps
	Variation	-500	—	500	ppm
T _{DUTY}	Duty cycle	45	—	55	%

4.8.3 OSCI oscillator specifications

The supported values of the embedded BOOT ROM are 16.368 MHz, 24.00 MHz, 26.00 MHz and 48.00 MHz.

The default values supported by the GNSS binary image is 26MHz and 48MHz, to enable USB peripheral the 48 MHz is mandatory.

4.8.4 ADC specifications

This section gives the AC specification of the 10 bit Successive Approximation Register ADC embedded in STA8089FGA device. It is controlled by the ARM9 MCU through a wrapper and an APB bridge as depicted in [Figure 4](#) and it has a maximum conversion rate of 1MSPS with 8 muxed analog input channels capability. An internal voltage reference is used and analog/digital power supplies connections are implemented inside the device without any needs of dedicated external pins.

Figure 4. SARADC connections

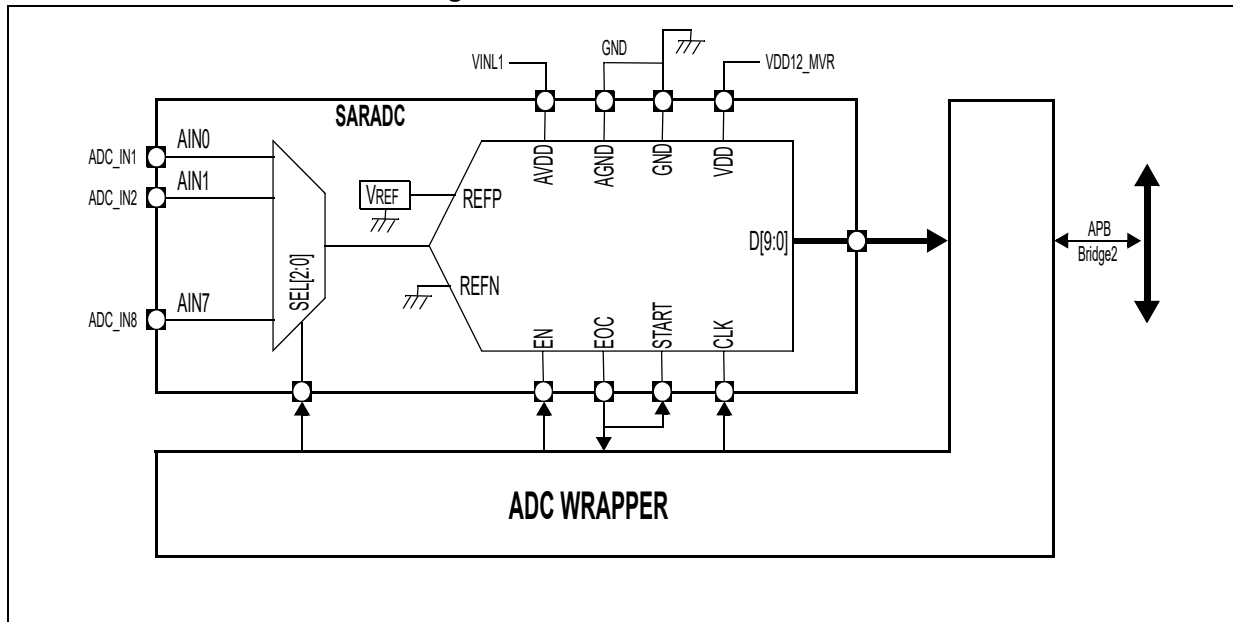


Table 24. SARADC specifications

Symbol	Parameter	Min.	Typ.	Max.	Unit
V_{ADCIN}	ADC_IN input range	$V_{GND}-0.3$	—	$V_{INL1}+0.3$	V
V_{ADCCR}	Conversion range	V_{GND}	—	V_{REF}	V
V_{REF}	Voltage reference	1.35	1.4	1.45	V
C_{IN}	Input capacitance ⁽¹⁾	5.5	7.0	8.5	pF
R_{IN}	Input mux resistance (total equivalent sampling resistance) ⁽²⁾	1.5	2.0	2.5	k Ω
F_{CLK}	Clock frequency	2.5	—	15	MHz
δ_{CLK}	Clock duty cycle	45	50	55	%
T_{SUP}	Start up time ⁽¹⁾⁽³⁾	—	—	20	μ s
T_C	Conversion time	—	14	—	cycles
T_S	Sampling time	—	3	—	cycles
INL	Performance	—	—	< +/- 2	LSB
DNL		—	—	< +/- 2	LSB

1. Not tested in production.
2. Pad input capacitance included.
3. From EN=1.

4.8.5 Flash specifications

This section gives the AC specification of the embedded Flash in STA8089FGA device.

Table 25. Flash specifications

Symbol	Parameter	Test conditions	Min.	Typ.	Max.	Unit
f_C	Serial clock frequency	QPI mode - 4 read instructions	—		78	MHz
t_{SE}	Sector erase cycle time		—	30	200	ms
t_{BE}	Block erase cycle time		—	500	2000	ms
t_{CE}	Chip erase time	Size = 16 Mb	—	8	20	s
t_{PP}	Page program cycle time		—	0.9	3	ms

5 Package and packing information

5.1 ECOPACK packages

In order to meet environmental requirements, ST offers these devices in different grades of ECOPACK packages, depending on their level of environmental compliance. ECOPACK specifications, grade definitions and product status are available at: www.st.com.

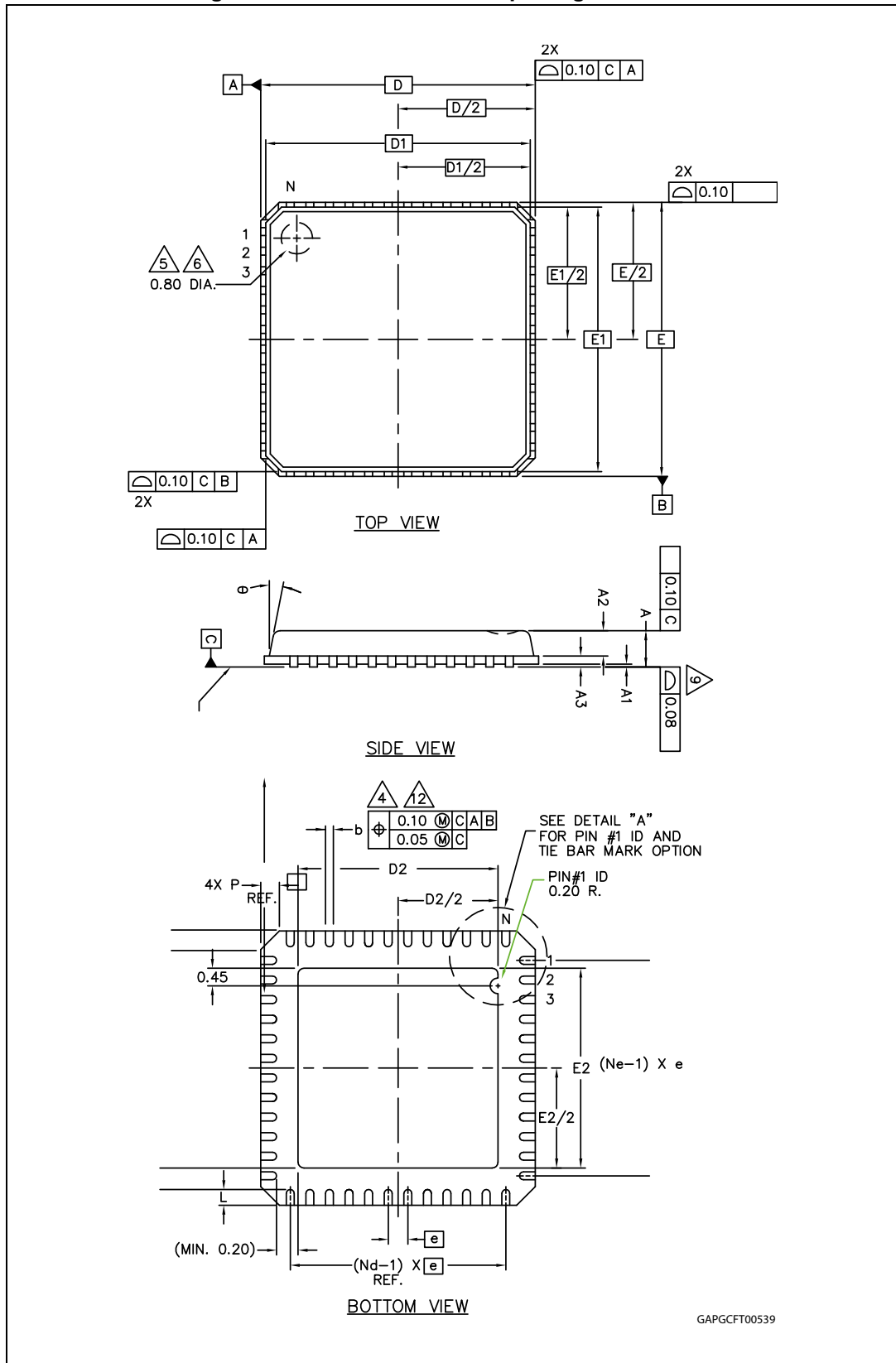
ECOPACK is an ST trademark.

5.2 VFQFPN56 7 x 7 mm package information

Table 26. VFQFPN56 package dimensions

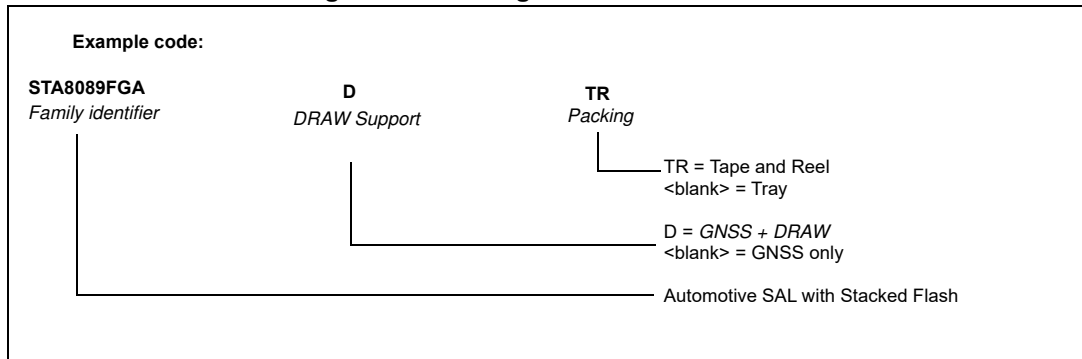
Symbol	Min.	Typ.	Max
Common dimensions			
A	0.80	0.85	0.90
A1	0	0.01	0.05
A2	0.60	0.65	0.70
A3	0.20 REF		
b	0.15	0.20	0.25
D	7.00 BSC		
D1	6.75 BSC		
D2	5.0	5.1	5.2
E	7.00 BSC		
E1	6.75 BSC		
E2	5.0	5.1	5.2
e	0.40 BSC		
θ	0°		12°
L	0.30	0.40	0.50
N	56		
Nd	14		
Ne	14		
P	0.24	0.42	0.60
Q	0.30	0.40	0.65
R	0.13	0.17	0.23

Figure 5. VFQFPN56 7 x 7 mm package dimension



6 Ordering information

Figure 6. Ordering information scheme



7 Revision history

Table 27. Document revision history

Date	Revision	Changes
29-Sep-2016	1	Initial release.
25-May-2017	2	Updated: <ul style="list-style-type: none">– Table 9: Thermal characteristics on page 20 (R_{j-amb} value);– Table 11: Power consumption: removed I_{DSLEEP} and added $I_{DStandby}$ and $I_{DDeepStandby}$ parameters.
07-Feb-2023	3	Updated Table 2: Main function pins .

IMPORTANT NOTICE – PLEASE READ CAREFULLY

STMicroelectronics NV and its subsidiaries ("ST") reserve the right to make changes, corrections, enhancements, modifications, and improvements to ST products and/or to this document at any time without notice. Purchasers should obtain the latest relevant information on ST products before placing orders. ST products are sold pursuant to ST's terms and conditions of sale in place at the time of order acknowledgement.

Purchasers are solely responsible for the choice, selection, and use of ST products and ST assumes no liability for application assistance or the design of Purchasers' products.

No license, express or implied, to any intellectual property right is granted by ST herein.

Resale of ST products with provisions different from the information set forth herein shall void any warranty granted by ST for such product.

ST and the ST logo are trademarks of ST. All other product or service names are the property of their respective owners.

Information in this document supersedes and replaces information previously supplied in any prior versions of this document.

© 2023 STMicroelectronics – All rights reserved