

THE INFORMATION CONTAINED HEREIN IS CONSIDERED "PROPRIETARY" TO BEL FUSE INC. AND SHALL NOT BE COPIED, REPRODUCED OR DISCLOSED WITHOUT THE WRITTEN APPROVAL OF BEL FUSE INC.

PRELIMINARY

ELECTRICAL CHARACTERISTICS @ 25°C

URNS RATIO

TP1	1CT : 1CT ±3%
TP2	1CT : 1CT ±3%
TP3	1CT : 1CT ±3%
TP4	1CT : 1CT ±3%

QCL @ 100kHz/100mVRMS

8mA DC BIAS 350 µH MIN.

INS. LOSS

1MHz TO 100MHz -1.1 dB MAX

RET. LOSS (MIN)

1MHz-40MHz -18 dB
 40MHz-100MHz -12+20LOG(F/80MHz) dB

CM TO CM REJ

1MHz - 100MHz -20 dB MIN

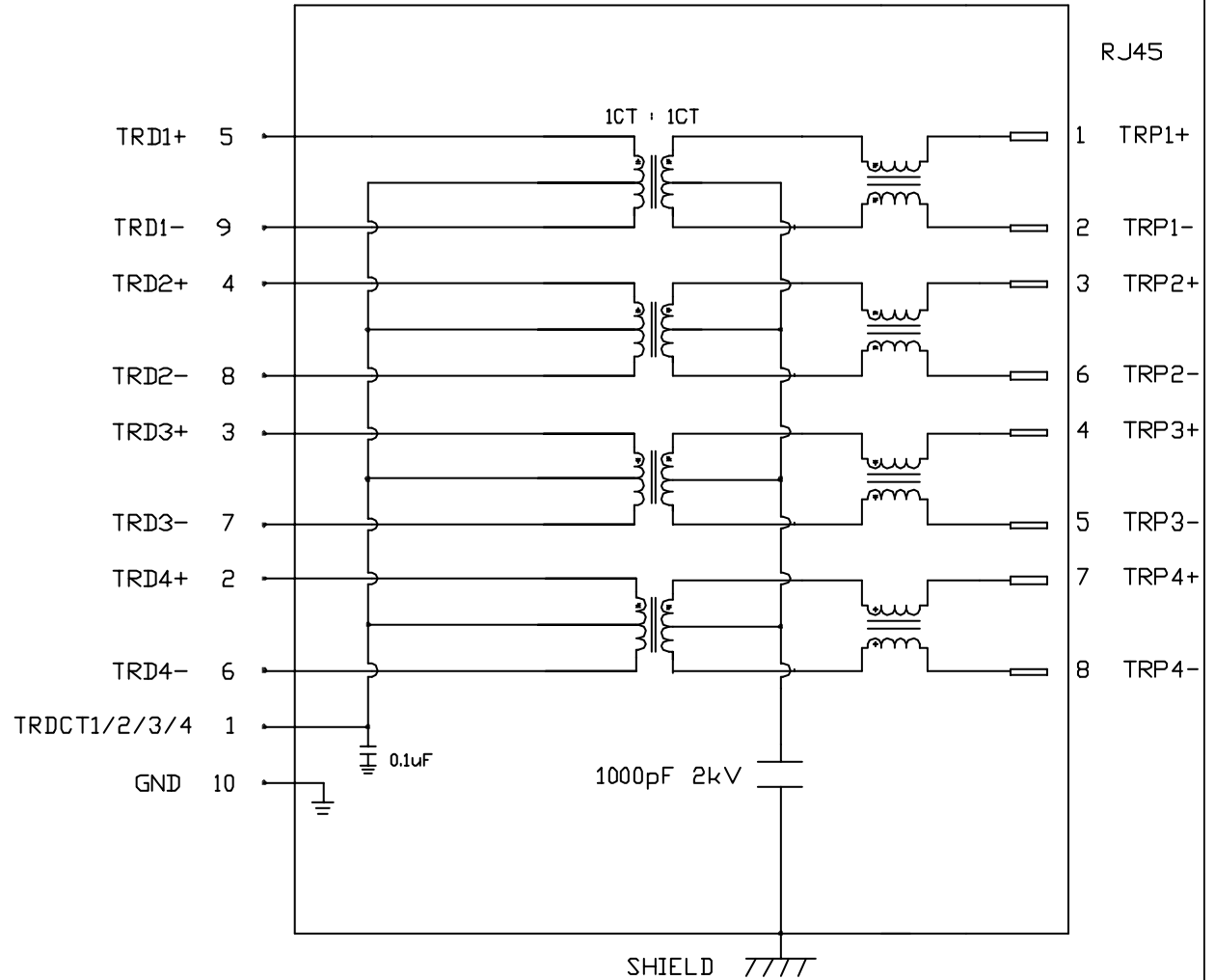
CROSSTALK (TX - RX)

1MHz - 30MHz -40 dB MIN
 30MHz - 60MHz -30 dB MIN

HIPOT (Isolation Voltage): 1500 Vrms

100% OF PRODUCT TESTED IN PRODUCTION

SCHEMATIC



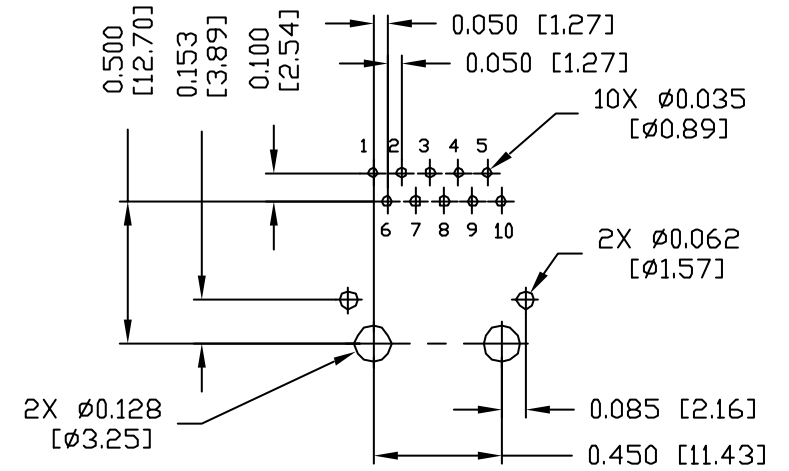
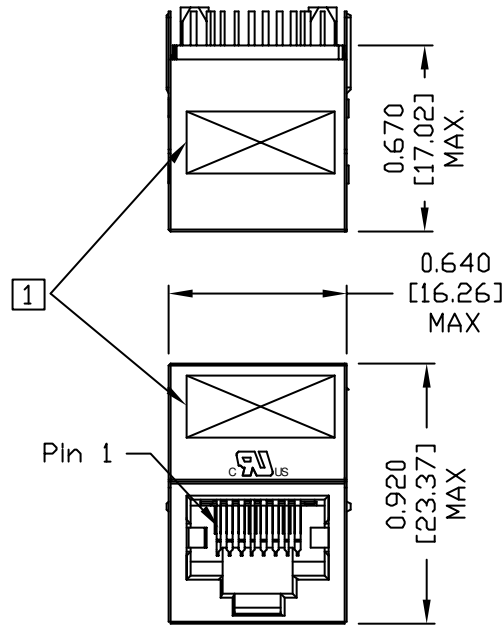
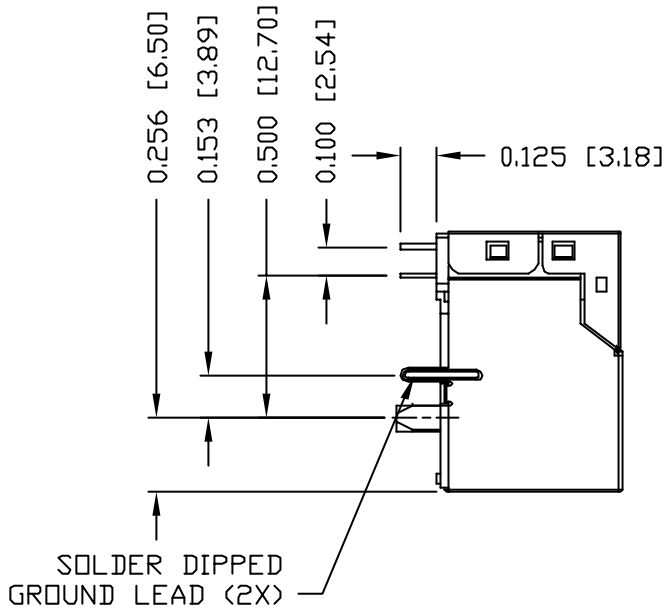
DRWN CHUN	DATE 09-28-04	TITLE gigabit MagJack™ (8 core, Vertical)	PART NO. / DRAWING NO. V891-1XX1-A1	STANDARD DIM.		[] METRIC DIM. AS REFERENCE		 CONTINUED ON CONNECTED PLANNING
				TOL. IN INCH		UNIT : INCH [mm]	REV. : PA	
				.X		SCALE : N/A	SIZE : A4	
CHKD CHUNG	DATE 09-28-04		FILE NAME V8911XX1A1PA.DWG	.XX			PAGE : 2	

THE INFORMATION CONTAINED HEREIN IS CONSIDERED "PROPRIETARY" TO BEL FUSE INC. AND SHALL NOT BE COPIED, REPRODUCED OR DISCLOSED WITHOUT THE WRITTEN APPROVAL OF BEL FUSE INC.

PRELIMINARY

MECHANICAL SPECIFICATION

RECOMMENDED PCB FOOTPRINT
COMPONENT SIDE VIEW



NOTES:

- PLASTIC HOUSING: THERMOPLASTIC PBT, FLAMMABILITY RATING UL 94V-0
- CONTACTS: 30 MICRO-INCH HARD GOLD PLATING
- OUTPUT PINS: TIN-COATED COPPER WIRE, DIA 0.018 INCH.
- METAL SHIELD: NICKEL PLATED ON COPPER ALLOY, (ALL GROUND LEADS ARE SOLDER DIPPED)

☐ MARK PART WITH MFG LOGO, MFG NAME, PART NUMBER, AND DATE CODE.

RoHS COMPLIANCE, PER EU DIRECTIVE 2002/95/EC.

PACKING INFORMATION

- PACKING TRAY : 0200-9999-I3(TOP)
0200-9999-I4(BOTTOM)
- PACKING QUANTITY : 55 PCS FINISHED GOODS PER TRAY
9 TRAY (495 PCS FINISHED GOODS)
PER CARTON BOX

NOTE: CARDBOARDS ARE PLACED BETWEEN LAYERS OF PACKING TRAY INSIDE CARTON BOX (INCLUDE THE UPPERMOST AND LOWERMOST TRAY)

DRWN	DATE	TITLE	PART NO. / DRAWING NO.	STANDARD DIM. TOL. IN INCH		[] METRIC DIM. AS REFERENCE		REV. : PA	bel
				.X	.XX	.XXX	UNIT : INCH [mm]		
TAO	09-28-04	gigabit MagJack™ (8 core, Vertical)	V891-1XX1-A1						COMPONENTS & CONNECTED PLANT
CHKD	09-28-04			FILE NAME	V8911XX1A1PA.DWG	±0.010			