

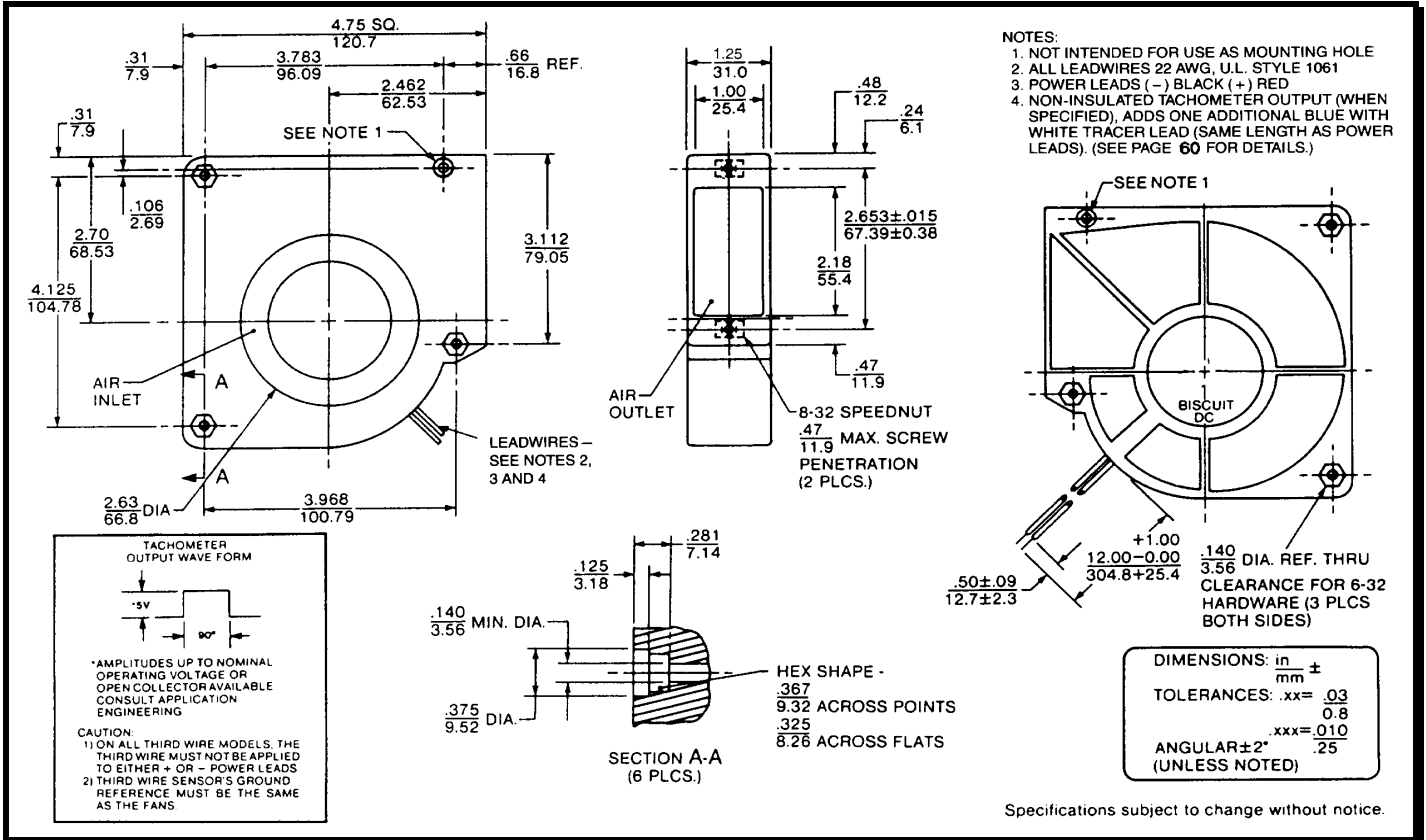
SPECIFICATIONS



Model Number: BD48B7
 Part Number: 19030638A

December 18, 2002

Mechanical Drawing:



Motor:

Nominal Voltage	= 48 vdc
Operating Voltage Range	= 24 - 56 vdc
Nominal Running Current	= 0.250 amps
Locked Rotor Current	= 0.500 amps
Running Power	= 12 watts
Average Speed	= 2950 rpm
Bearings	= Sleeve
Air Flow	= 25 cfm
Noise	= 51.2 dBA

Construction:

Venturi: Plastic, Black, UL 94V-0
 Propeller: Plastic, Black, UL 94V-0

Agency Approvals:

UL, CE

Life Expectancy:

This fan is designed for continuous duty life of 78,000 hours at 40°C.

Additional Features:

Brushless DC Motor
 Polarity Protected
 Locked Rotor Protection
 Automatic Restart Capability
 Operating Temperature: -10°C to 70°C
 Storage Temperature: -40°C to 85°C

Tachometer:

Output: 5 volt TTL Compatible
 I_c: 5 mA Typical
 Pulses per Revolution: 2
 Isolated: No

Termination:

12" Lead wires, AWG 22, UL 1061

Red:	= Power (+)
Black:	= Return (-)
Blue / White:	= Tachometer (Output)