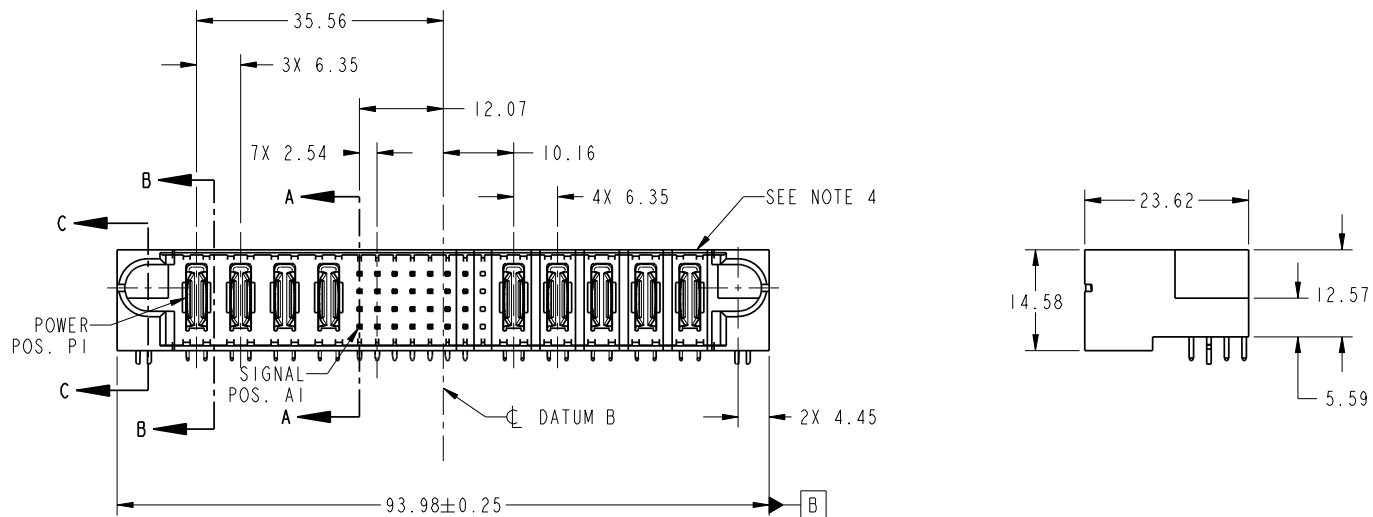


Tous droits strictement réservés. Reproduction ou communication o des liers interdite sous quelque forme que ce soit sans autorisation écrite du propriétaire. Propriete de c FCI. Droits de reproduction FCI.



All rights strictly reserved. Reproduction or issue to third parties in any form whatever is not permitted without written authority from the proprietor. Property of FCI. Copyright FCI.

PRODUCT NO.	ROWS	POWER				SIGNAL								POWER							
		E1	P1	P2	P3	P4	1	2	3	4	5	6	7	8	P5	P6	P7	P8	P9	E2	
51730-189-- NOTE 3	D C B A																				



CODE	DIM "M" MATING LENGTH	CONTACT TYPE
U	[6.86]	SIGNAL
T	[6.86]	SIGNAL
S	[6.86]	SIGNAL
R	[6.86]	SIGNAL
PA	[N/A]	POWER
HA	[N/A]	HOLD-DOWN
X	OMITTED	

mat'l code				SEE NOTE		tolerances unless otherwise specified	
lfr	ecn no.	dr	date	linear	angles	dr	engr
A	DG11-0011	XQ	01/07/11	0.X ± 0.5	0° ± 2°	XQ Wang	01/07/11
B	DG11-0035	HZ	02/11/11	0.XX ± 0.25		Anson Liu	01/07/11
				0.XXX ± 0.1		PM Zheng	01/07/11
						Joseph Hsia	01/07/11
sheet index	revision	B	B	B	B		
	sheet	1	2	3	4		

CUSTOMER		FCI www.fciconnect.com	
COPY		projection	title 4P + 32S + 5P RIGHT ANGLE SOLDER HEADER
product family PwrBlade		code	213
size A		dwg no	51730-189
scale 1:1		sheet	1 of 4

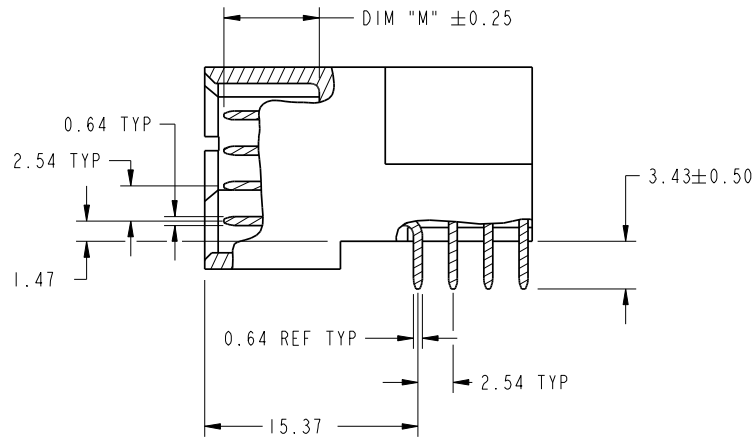
cage code 22526

Tous droits strictement réservés. Reproduction ou communication o des liens interdite sous quelque forme que ce soit sans autorisation écrite du propriétaire. Propriete de c FCI. Droits de reproduction FCI.

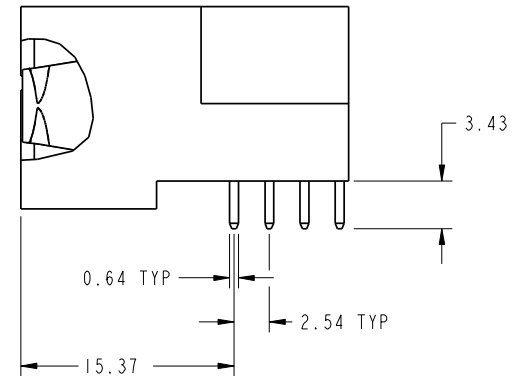


All rights strictly reserved. Reproduction or issue to third parties in any form whatever is not permitted without written authority from the proprietor. Property of FCI. Copyright FCI.

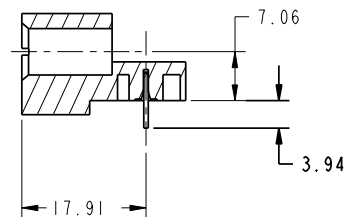
PRODUCT NUMBER
51730-189..
NOTE: 3



BROKEN-OUT SECTION A-A
SCALE 2:1



BROKEN-OUT SECTION B-B
SCALE 2:1



SECTION C-C

mail code		SEE NOTE		tolerances unless otherwise specified		CUSTOMER		FCI	
lfr	ecn no.	dr	date	linear	0.X ±0.5	COPY		www.fciconnect.com	
B				linear	0.XX ±0.25	projection	title		
				angles	0.XXX ±0.1			4P + 32S + 5P RIGHT ANGLE SOLDER HEADER	
				dr	0° ±2°	MM	product family	PwrBlade	code
				engr	XQ Wang 01/07/11	scale	size	dwg no	213
				chr	Anson Liu 01/07/11	1:1	A	51730-189	sheet
				appd	PM Zheng 01/07/11				2 of 4
					Joseph Hsia 01/07/11				
sheet index	revision sheet								

Pro/E

cage code 22526

PDM: Rev:B

STATUS:Released

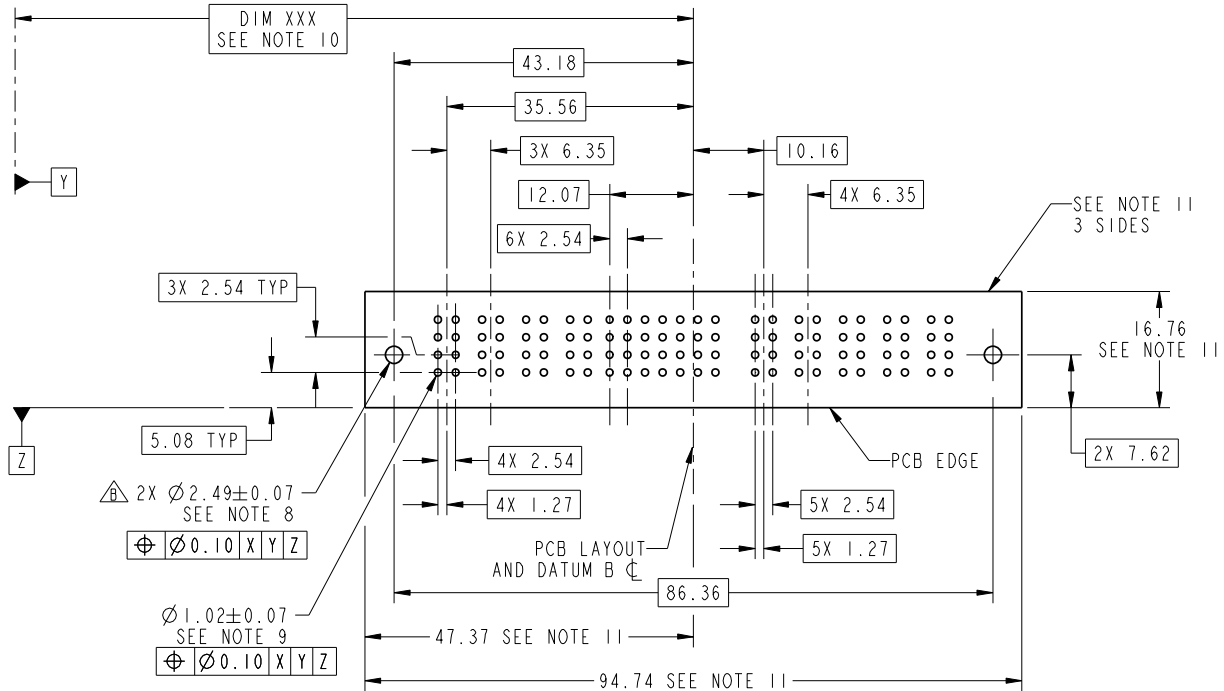
Printed: Feb 12, 2011

Tous droits strictement réservés. Reproduction ou communication o des liens interdite sous quelque forme que ce soit sans autorisation écrite du propriétaire. Propriete de c FCI. Droits de reproduction FCI.



All rights strictly reserved. Reproduction or issue to third parties in any form whatever is not permitted without written authority from the proprietor. Property of FCI. Copyright FCI.

PRODUCT NUMBER
51730-189..
NOTE: 3



RECOMMENDED PCB LAYOUT

mat'l code		SEE NOTE		tolerances unless otherwise specified		CUSTOMER		FCI		www.fciconnect.com	
lfr	ecn no.	dr	date	linear	0.X ± 0.5	COPY		projection		title	
B				angles	0.XX ± 0.25	MM		MM		4P + 32S + 5P RIGHT ANGLE SOLDER HEADER	
				dr	0.XXX ± 0.1	scale		product family		PwrBlade code	
				engr	0° ± 2°	1:1		A		213	
				chr				51730-189		sheet	
				appd						3 of 4	
sheet index	revision sheet										



MM

1:1

cage code 22526

Pro/E

PDM: Rev:B

STATUS:Released

Printed: Feb 12, 2011

Tous droits strictement réservés. Reproduction ou communication o des liens interdite sous quelque forme que ce soit sans autorisation écrite du propriétaire. Propriete de c FCI. Droits de reproduction FCI.



All rights strictly reserved. Reproduction or issue to third parties in any form whatever is not permitted without written authority from the proprietor. Property of FCI. Copyright FCI.

PRODUCT NUMBER
51730-189..
NOTE: 3

NOTES:

1. DIMENSIONS AND TOLERANCES ARE IN ACCORDANCE WITH ASME Y14.5M, 1994 UNLESS OTHERWISE SPECIFIED.

CONNECTOR NOTES:

- 2. HOUSING MATERIAL: UL 94 V-0 GLASS FILLED HIGH-TEMP THERMOPLASTIC
POWER CONTACT MATERIAL: COPPER ALLOY
SIGNAL PIN MATERIAL: COPPER ALLOY
 - 3. SEE ITEM 1 & 2 IN PRINT 10064183 FOR PLATING SPEC OF 51730-189 AND 51730-189LF RESPECTIVELY.
 - 4. MANUFACTURER'S NAME, DATE CODE AND OPTIONAL P/N TO APPEAR ON THIS SURFACE. THE P/N CAN BE OMITTED IF THERE IS NOT ENOUGH SPACE ON THIS SURFACE.
 - 5. PRODUCT SPECIFICATION GS-12-149.
APPLICATION SPECIFICATION BUS-20-067.
 - 6. PACKAGED IN TRAYS.
- PCB NOTES:
- 7. ALL HOLE DIAMETERS ARE FINISHED HOLE SIZE.
 - 8. MOUNTING HOLES, WHERE APPLICABLE, ARE UNPLATED.
 - 9. $\varnothing 1.151 \pm 0.025$ DRILLED HOLES PLATED WITH
0.008 MIN SnPb OR Sn OVER 0.03
TO 0.08 Cu PLATING TO ACHIEVE
 $\varnothing 1.02 \pm 0.07$ HOLE.
 - 10. "DIM XXX" TO BE DETERMINED BY THE CUSTOMER.
 - 11. CONNECTOR KEEP-OUT ZONE.
12. A \triangle SYMBOL WILL BE NEXT TO ANY DIMENSION, VIEW, OR NOTE WHICH HAS BEEN MODIFIED WITH THE CURRENT DRAWING REVISION.

mat'l code		SEE NOTE		tolerances unless otherwise specified		CUSTOMER	
lfr	ecn no.	dr	date	linear	0.X ± 0.5	COPY	www.fciconnect.com title 4P + 32S + 5P RIGHT ANGLE SOLDER HEADER
B				linear	0.XX ± 0.25	projection	
				angles	0.XXX ± 0.1		
				dr	0° ± 2°		product family PwrBlade code 213
				engr	XQ Wang 01/07/11	size A	dwg no 51730-189 sheet 4 of 4
				chr	Anson Liu 01/07/11	scale 1:1	
				appd	PM Zheng 01/07/11		
					Joseph Hsia 01/07/11		
sheet index	revision sheet						



www.fciconnect.com

MM

1:1

product family PwrBlade code 213

size A

dwg no 51730-189 sheet 4 of 4

1 | 2

3 |

4

A

A

B

B

1 | 2

3 |

4

Pro/E

cage code 22526

PDM: Rev:B

STATUS: Released

Printed: Feb 12, 2011